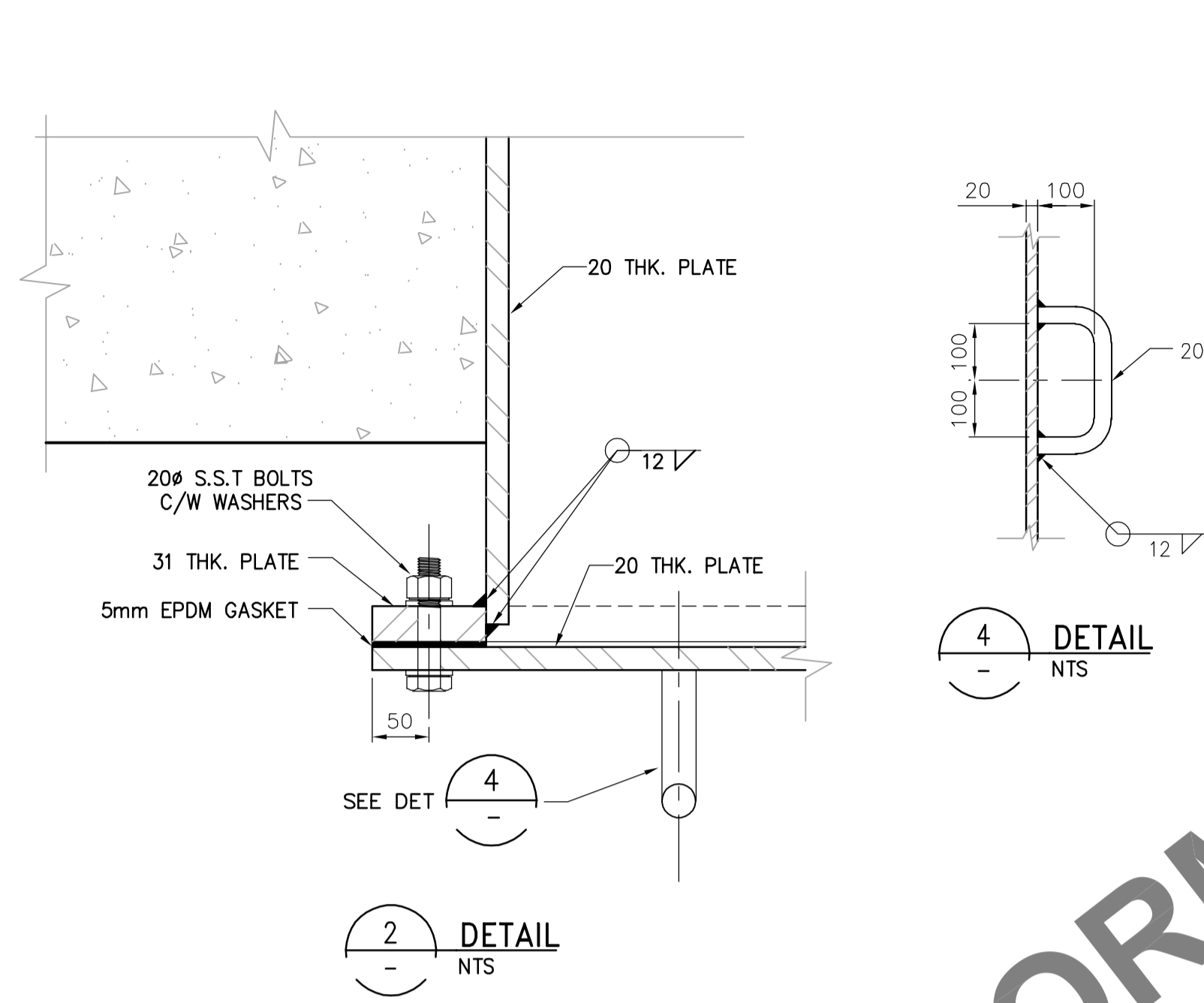
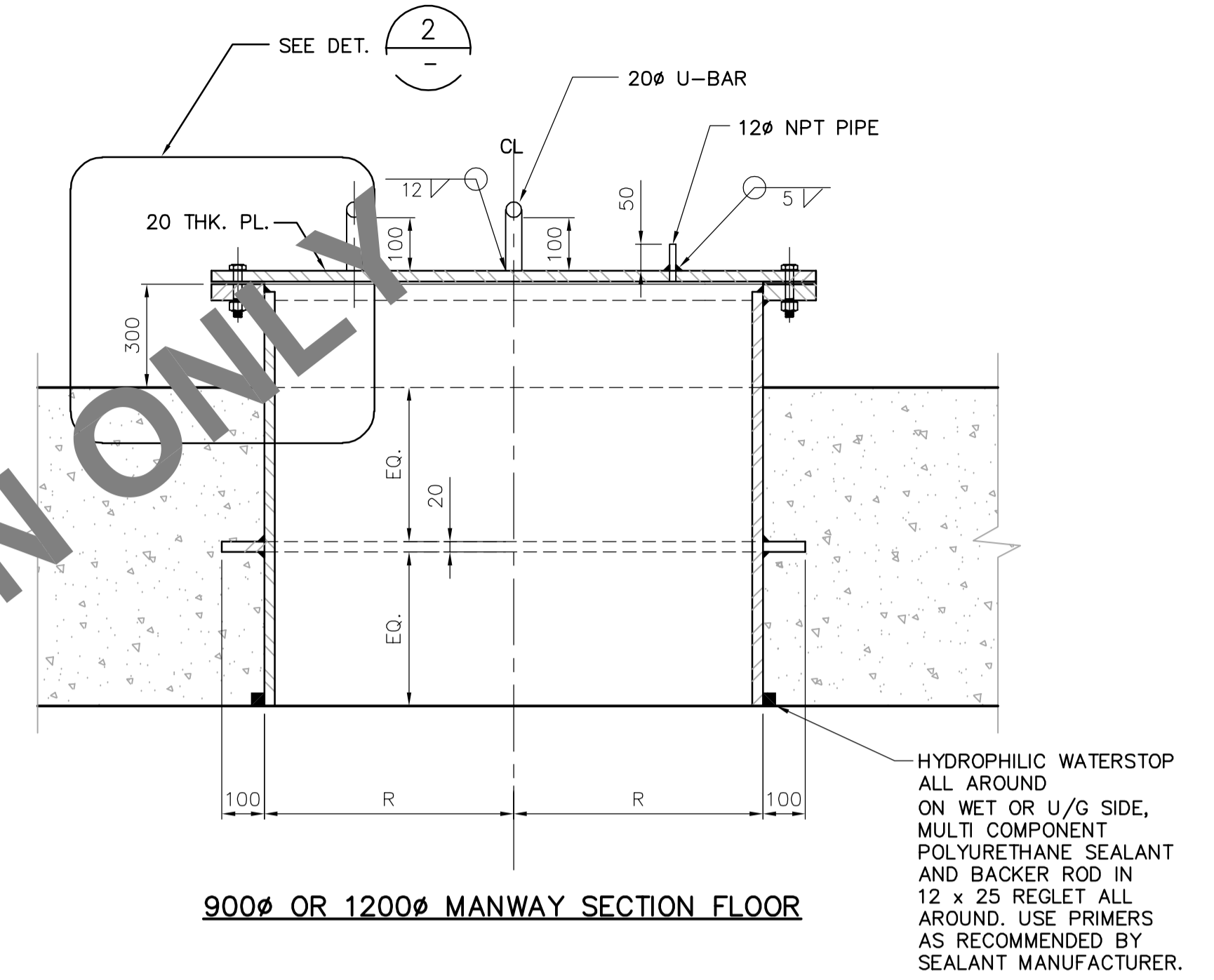


900Ø WALL MANWAY PLAN

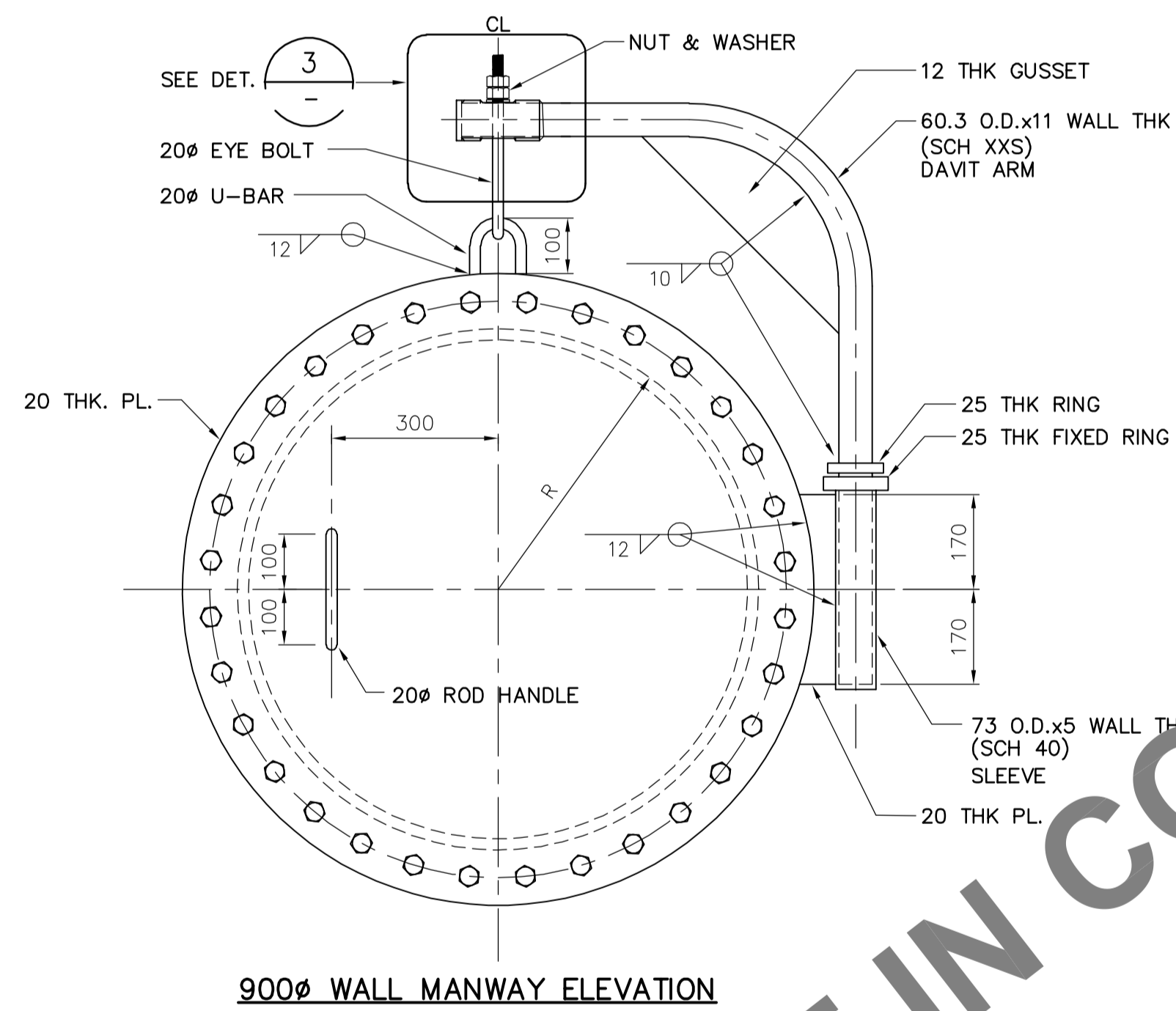


DETAIL 2 NTS

DETAIL 4 NTS



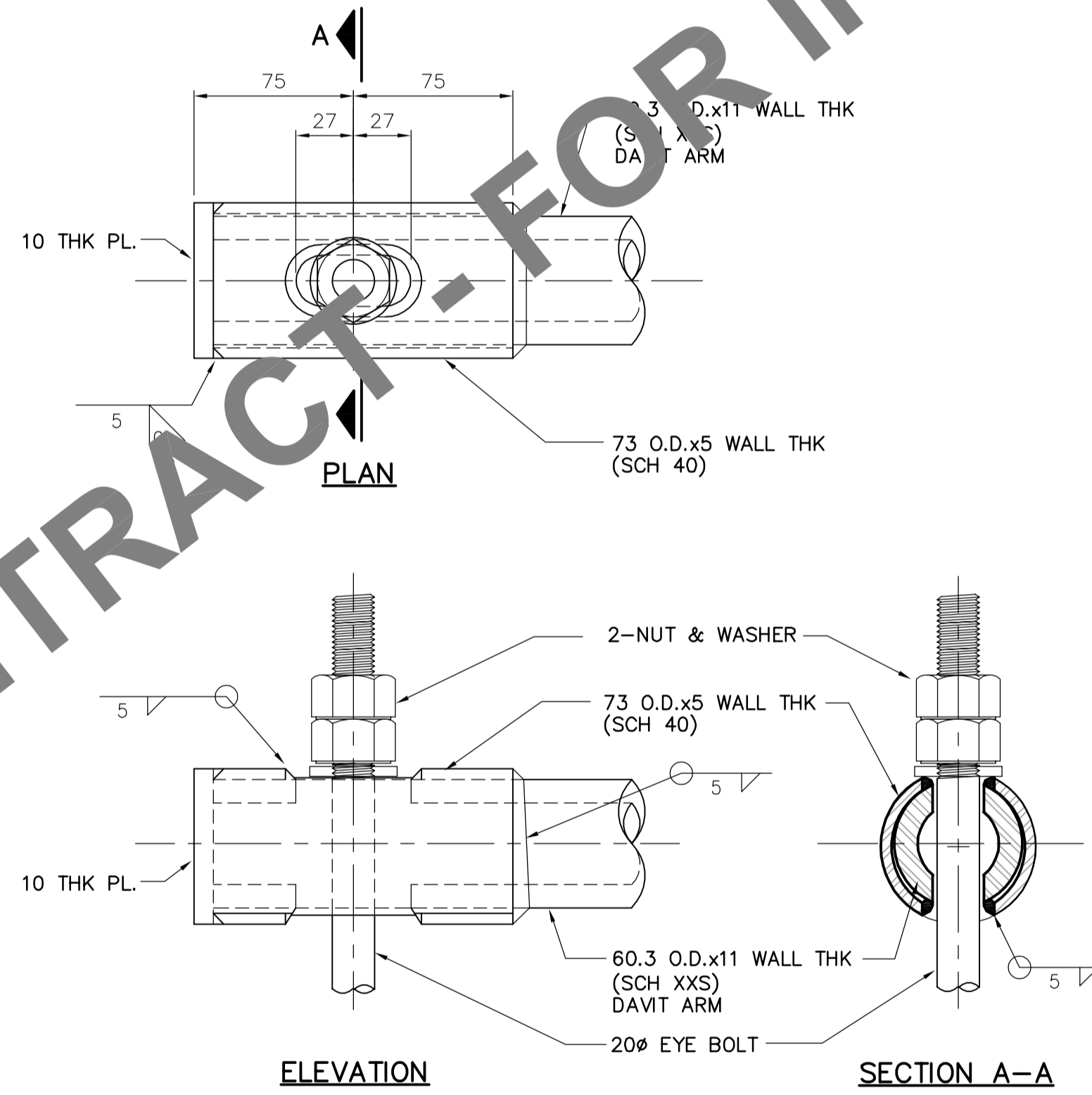
900Ø OR 1200Ø MANWAY SECTION FLOOR



900Ø WALL MANWAY ELEVATION

- NOTE: 1) FLANGE TO 900mm ANSI B16.5 150# AND AWWA C207
 2) BLIND FLANGE MATERIAL TO MATCH WALL PIPE
 3) FABRICATE DAVIT ARM AND SLEEVE FROM ASTM A106B STEEL PIPE
 4) SHOP PRIME ALL SURFACES AND PAINT EXPOSED SURFACES AS PER SPECIFICATION SECTION 09870 SYSTEM 1
 5) SUBMIT SHOP DRAWING FOR REVIEW

DETAIL 1 NTS

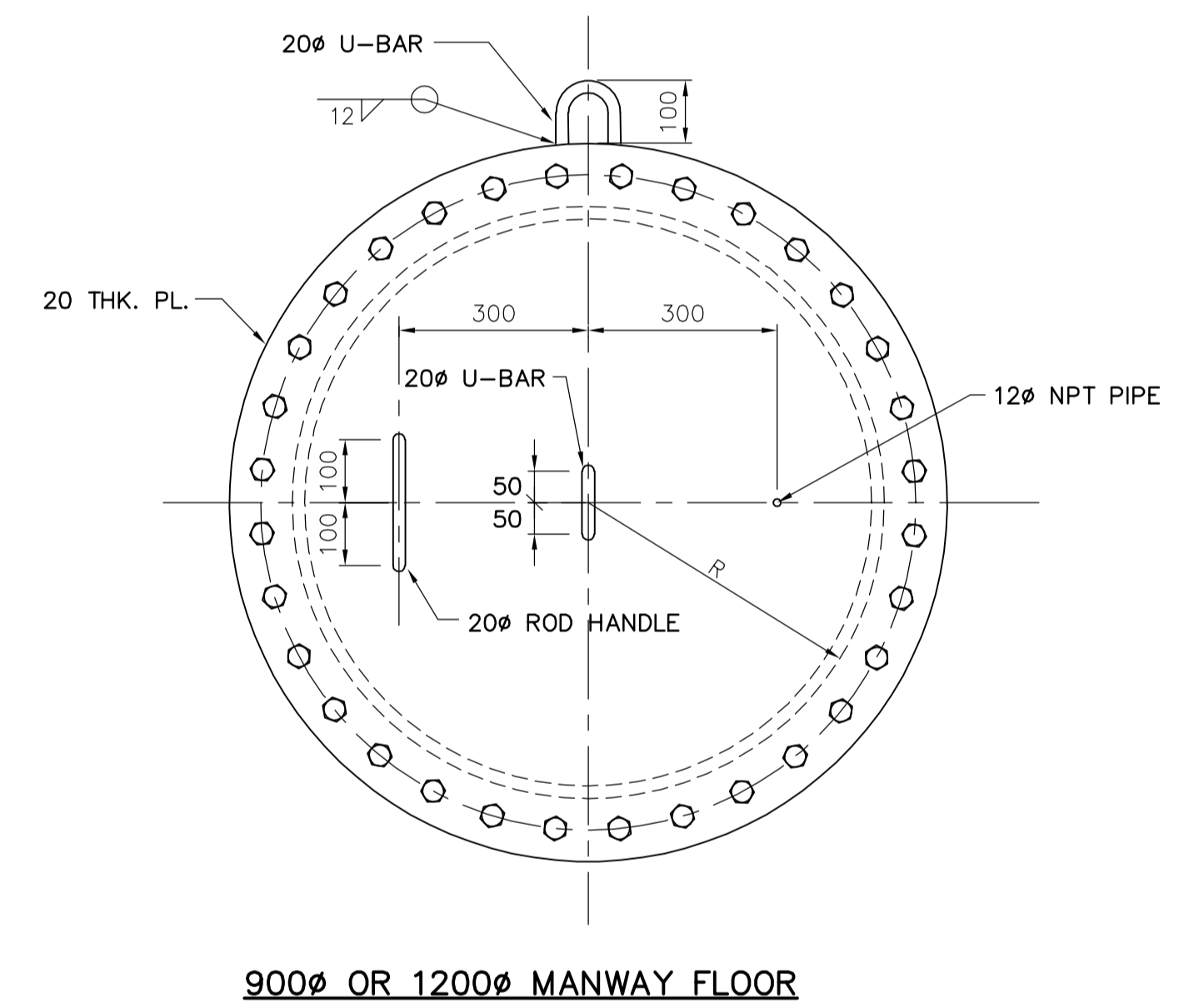


PLAN

ELEVATION

SECTION A-A

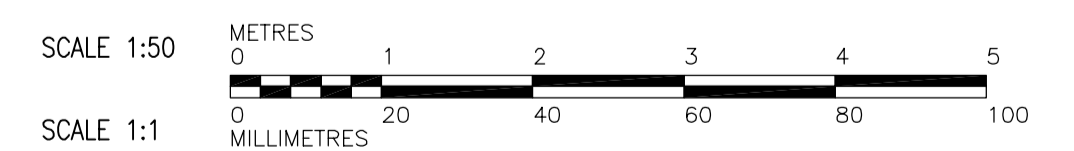
DETAIL 3 NTS



900Ø OR 1200Ø MANWAY FLOOR

- NOTE: 1) FLANGE TO 900mm OR 1200mm ANSI B16.5 150# AND AWWA C207
 2) BLIND FLANGE MATERIAL TO MATCH WALL PIPE
 3) FABRICATE DAVIT ARM AND SLEEVE FROM ASTM A106B STEEL PIPE
 4) SHOP PRIME ALL SURFACES AND PAINT EXPOSED SURFACES AS PER SPECIFICATION SECTION 09870 SYSTEM 1
 5) SUBMIT SHOP DRAWING FOR REVIEW

DETAIL 5 NTS



 APEGN Certificate of Authorization CH2M HILL Canada Ltd. No. 1441 Expiry: April 30, 2006	B.M. ELEV.	 Frederickson Cooper ARCHITECTS	 A Terra International Ltd. Company	ENGINEER'S SEAL	 THE CITY OF WINNIPEG WATER AND WASTE DEPARTMENT ENGINEERING DIVISION WATER TREATMENT PLANT FOUNDATIONS AND CONCRETE STRUCTURES PROCESS MECHANICAL STANDARD DETAILS	CITY FILE NUMBER	
	DESIGNED BY DK/DKC			CHECKED BY LS		ORIGINAL SIGNED BY P. WOBMA	SHEET OF
	DRAWN BY PM			APPROVED BY DJT		2006/02/06	CITY DRAWING NUMBER
	SCALE: AS SHOWN			RELEASED FOR CONSTRUCTION BY: R. SOROKOWSKI		CONSULTANT DRAWING NO. WB-M9454	1-060B-A-M9454-001-00D
00 ISSUED FOR TENDER	2006/02/03 DKC	DATE 2005/11/10	DATE 2006/02/08	WB-M9454			