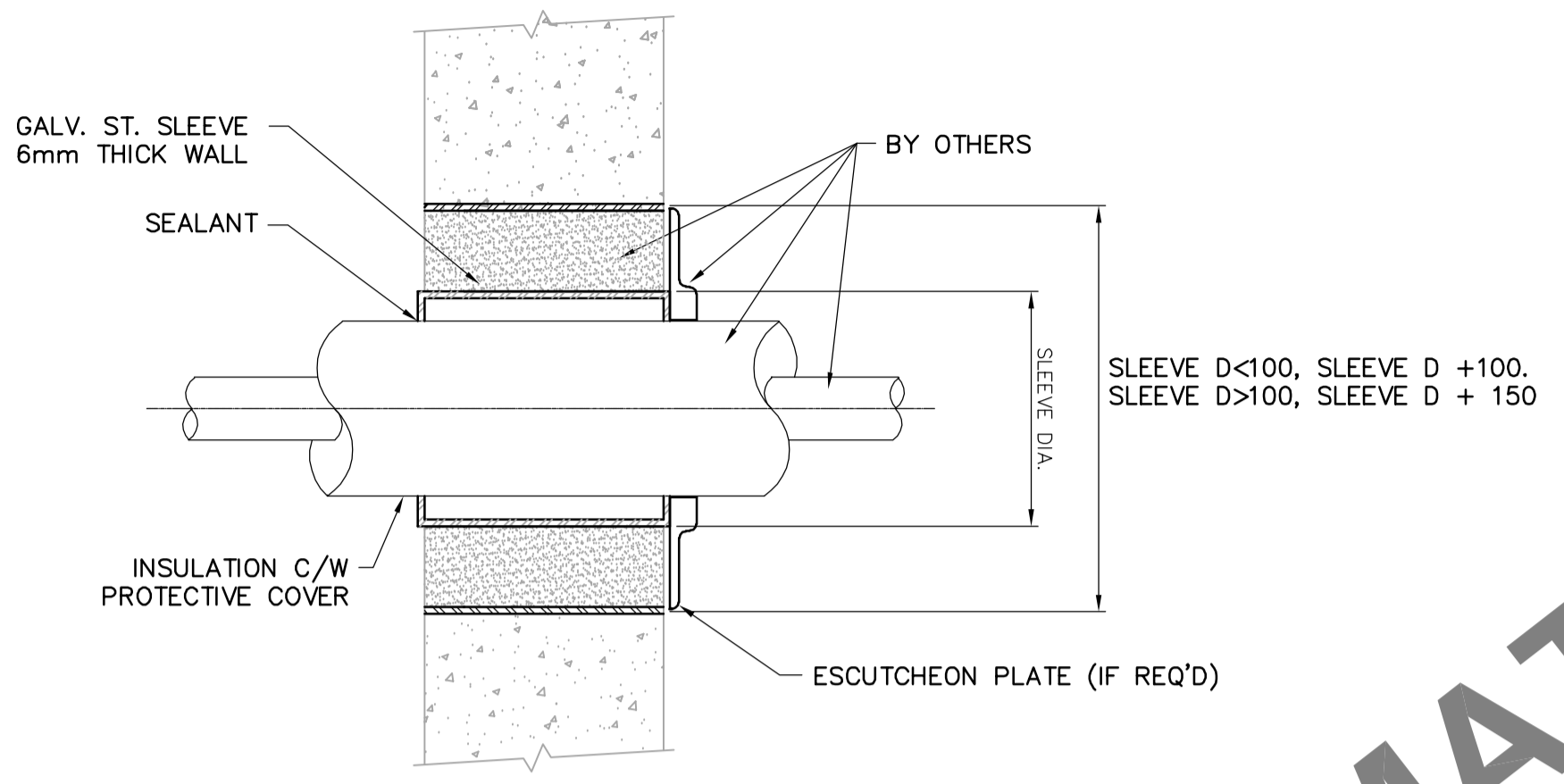


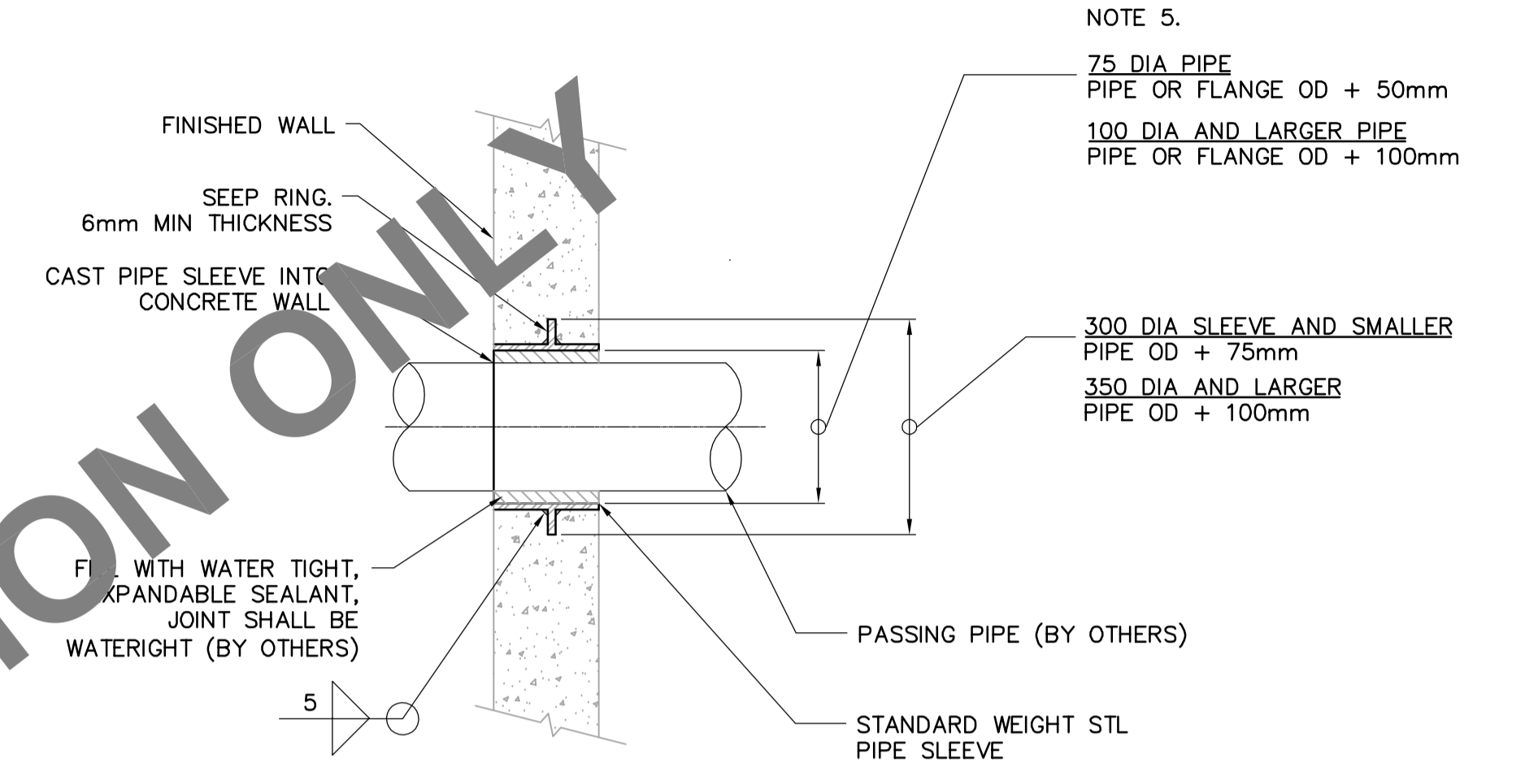
APPLICATION NOTES:  
 1. LESS THAN 75mm NOMINAL I.D.  
 2. ALLOW TRANSVERSE MOVEMENT

7 WALL PENETRATION NO. 7  
 - N.T.S.

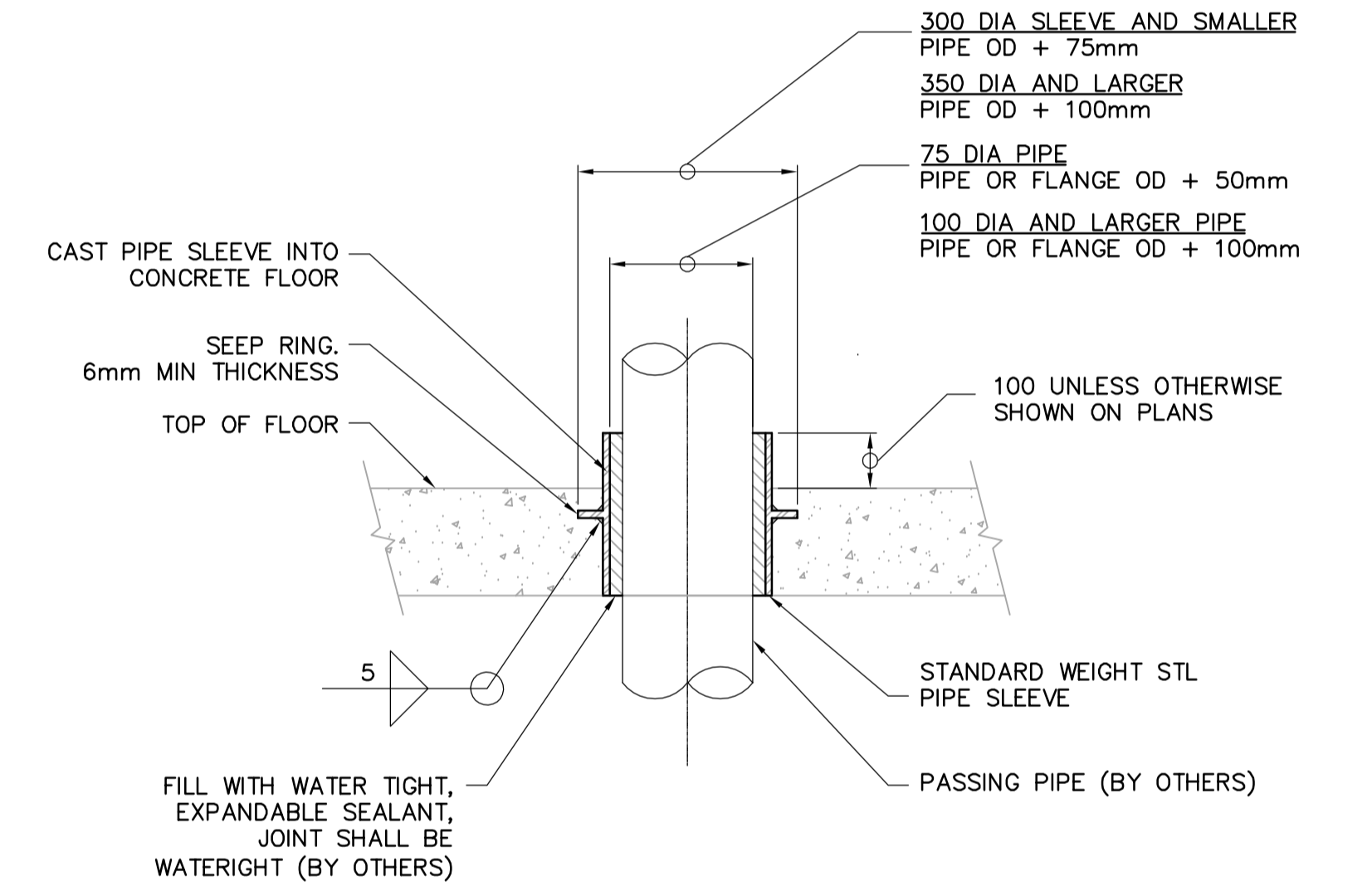


APPLICATION NOTES:  
 1. INSULATED PIPE  
 2. DO NOT PROVIDE SUPPORT TO PIPE THROUGH THIS WALL PENETRATION.

8 WALL PENETRATION NO. 8  
 - N.T.S.



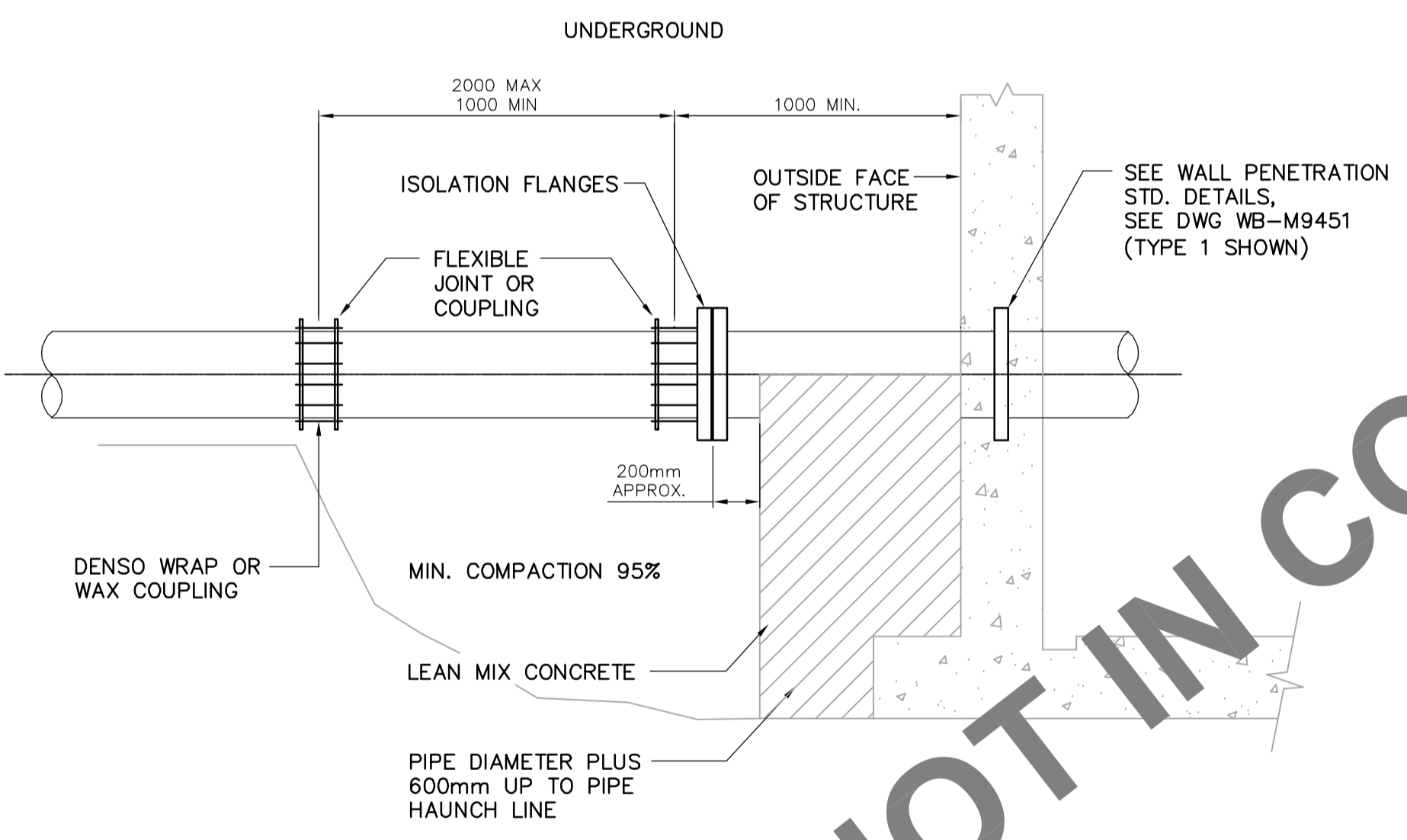
WALL SLEEVE



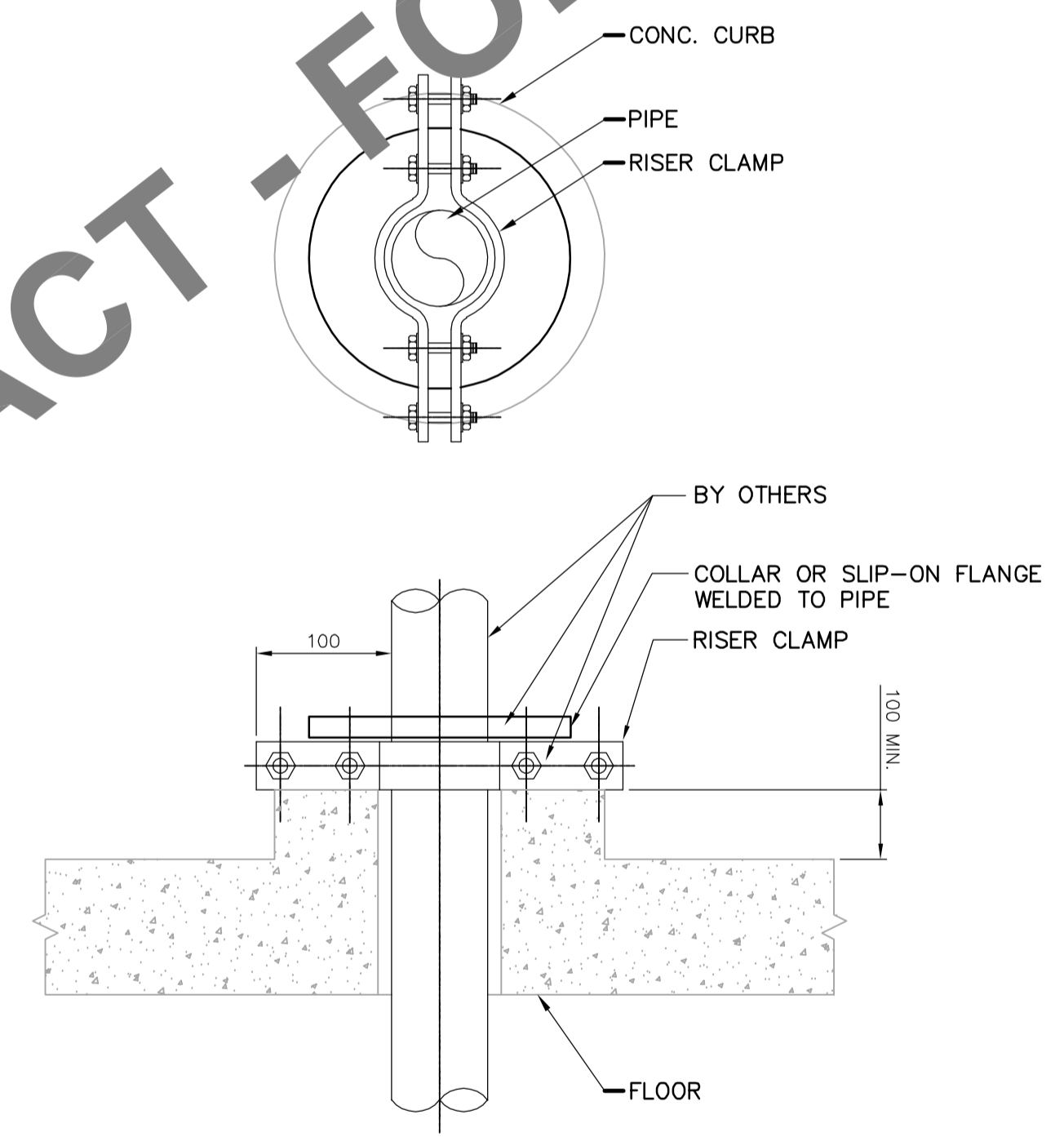
FLOOR SLEEVE

NOTES:  
 1. COAT SLEEVE WITH SPECIFIED PAINT SYSTEM BEFORE CONCRETE PLACEMENT HOT DIP GALVANIZE IF NO COATING IS SPECIFIED.  
 2. PROVIDE WATERPROOF FIRE STOPPING FOR FIRE RATED FLOOR/WALL CONDITION. (BY OTHERS)  
 3. SEE ARCHITECTURAL DRAWINGS FOR THE TYPE OF FIRE SEPARATION.  
 4. DO NOT USE WHERE SUBJECT TO HYDROSTATIC PRESSURE.  
 5. SLEEVE SIZE AS SHOWN HERE UNLESS OTHERWISE SHOWN IN EMBEDMENT SCHEDULE.

9 WALL AND FLOOR SLEEVE  
 - N.T.S.



10 CONNECTION TO STRUCTURE UNDERGROUND PIPE  
 - N.T.S.



11 VERTICAL FLOOR PENETRATION SUPPORT  
 - N.T.S.

NOT IN CONTRACT - FOR INFORMATION ONLY

 <b>APEGN</b> Certificate of Authorization CH2M HILL Canada Ltd. No. 1441 Expiry: April 30, 2006	B.M. ELEV.	 Frederickson Cooper ARCHITECTS	 A Terra International Ltd. Company	ENGINEER'S SEAL	 <b>THE CITY OF WINNIPEG</b> WATER AND WASTE DEPARTMENT ENGINEERING DIVISION		
	DESIGNED BY DC			CHECKED BY JS		WATER TREATMENT PLANT MAIN BUILDING	CITY FILE NUMBER
	DRAWN BY EK			APPROVED BY		FOUNDATIONS AND CONCRETE STRUCTURES	SHEET OF
	SCALE: NONE			RELEASED FOR CONSTRUCTION BY:		PROCESS MECHANICAL	CITY DRAWING NUMBER
00 ISSUED FOR TENDER 2006/02/03 DC	DATE BY DATE 2005/09/12 DATE	CONSULTANT DRAWING NO. WB-M9452	STANDARD DETAILS	1-060B-A-M9452-001-00D			