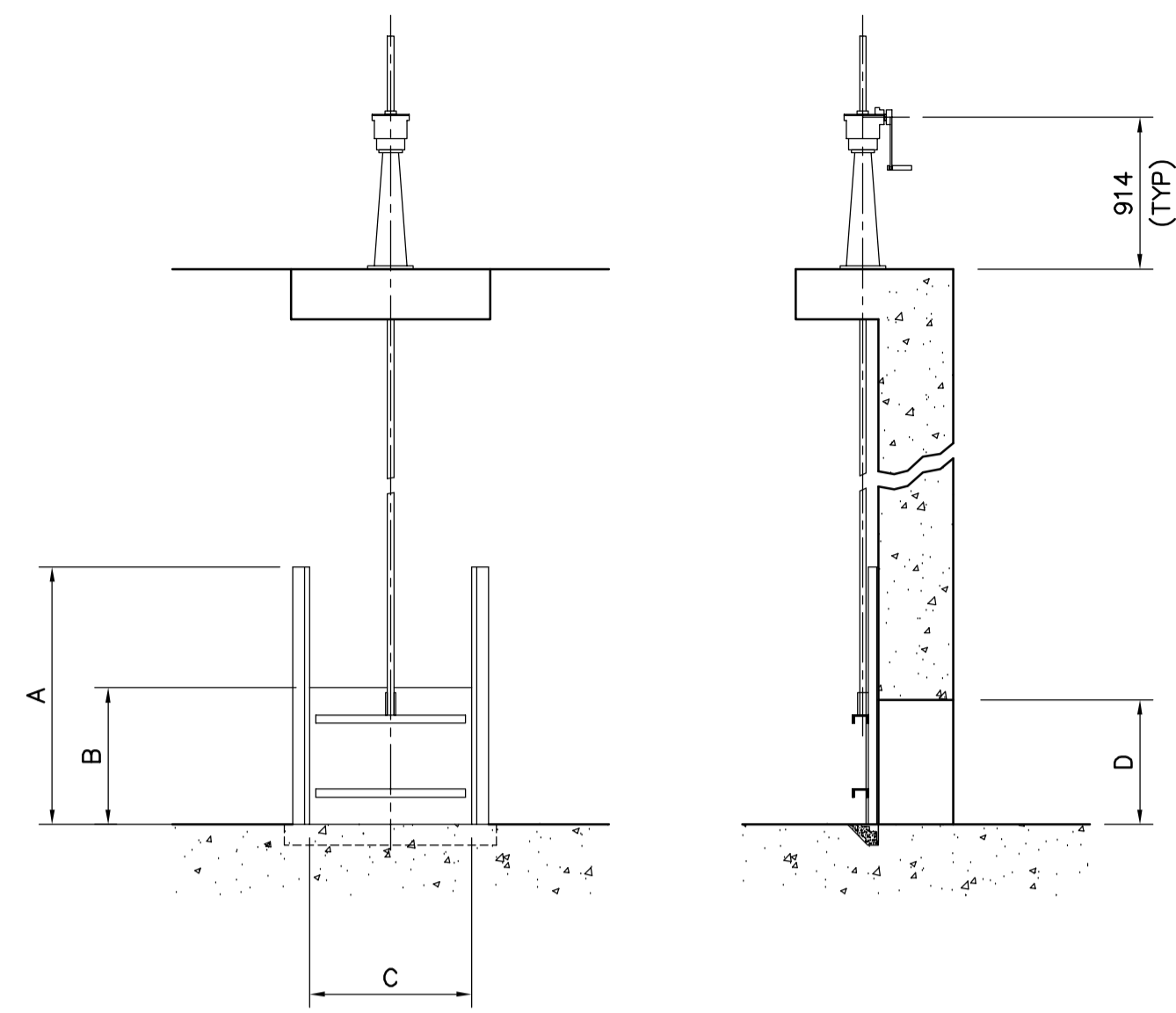
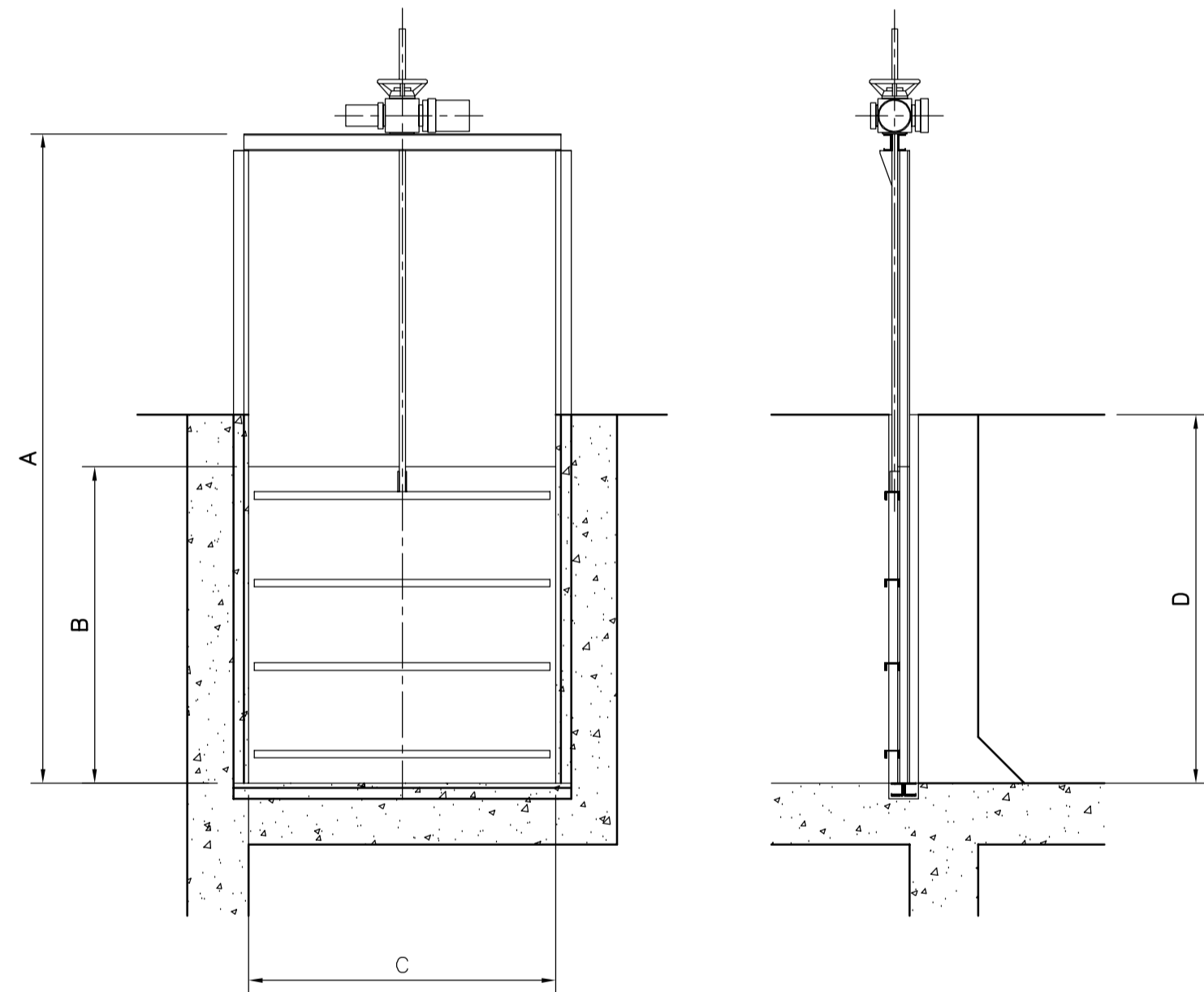


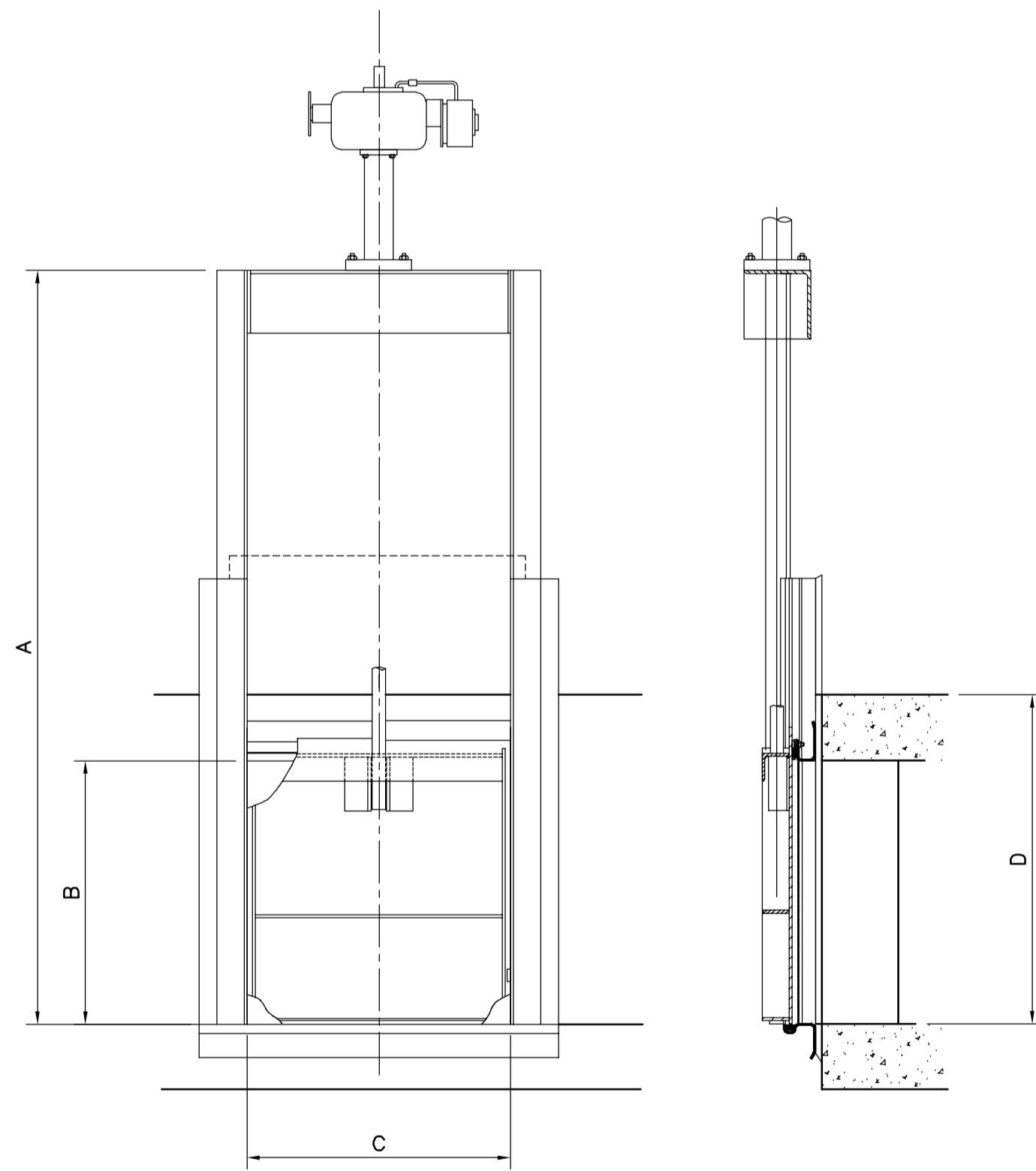
TYPE "A"



TYPE "B"



TYPE "C"



TYPE "D"

1 SLUICE GATE DETAIL
- NTS

GATE SCHEDULE

GATE NO.	TYPE	DIMENSIONS (mm)				COMMENTS
		A	B	C	D	
SLG-P140	A	BM	610	1524	1750	REFER TO WP-M0213
SLG-P240	A	BM	610	1524	1750	REFER TO WP-M0213
SLG-P340	A	BM	610	1524	1750	REFER TO WP-M0213
SLG-P440	A	BM	610	1524	1750	REFER TO WP-M0213
SLG-P540	A	BM	610	1524	1750	REFER TO WP-M0213
SLG-P640	A	BM	610	1524	1750	REFER TO WP-M0213
SLG-P740	A	BM	610	1524	1750	REFER TO WP-M0213
SLG-P840	A	BM	610	1524	1750	REFER TO WP-M0213
SLG-P970A	B	BM	1500	2000	1500	REFER TO WP-M0130
SLG-I000C	B	BM	2100	2100	-	REFER TO WI-M0201
SLG-F001A	B	BM	2000	2200	-	-
SLG-F053A	B	BM	1400	2400	-	-
SLG-F054A	B	BM	1400	1500	-	-
SLG-F055A	B	BM	2100	2100	-	-
SLG-O210A	B	BM	1400	2000	-	-
SLG-O230A	B	BM	1400	2000	-	-
SLG-O210B	B	BM	900	1800	-	-
SLG-O210C	B	BM	900	1800	-	-
SLG-O230B	B	BM	900	1800	-	-
SLG-O230C	B	BM	900	1800	-	-
SLG-R010A	C	BM	900	900	1600	REFER TO WR-M0204
SLG-R020A	C	BM	900	900	1600	REFER TO WR-M0204
SLG-R100A	D	BM	1200	1200	1600	REFER TO WR-M0204
SLG-R200A	D	BM	1200	1200	1600	REFER TO WR-M0204
SLG-R300A	D	BM	1200	1200	1600	REFER TO WR-M0204
SLG-R400A	D	BM	1200	1200	1600	REFER TO WR-M0204

NOTES:

1. BM (BY MANUFACTURER)
2. GATES ARE CITY SUPPLIED EQUIPMENT WITH INSTALLATION BY THE CONTRACTOR. REFER TO SUPPLIED CONTRACTOR SHOP DRAWINGS FOR ADDITIONAL GATE DETAILS
3. HAND OPERATORS TO BE INSTALLED FACING WALKWAY FOR EASY ACCESS.

<p>Certificate of Authorization CH2M HILL Canada Ltd. No. 1441 Expiry: April 30, 2006</p>	B.M. ELEV.	<p>Frederickson Cooper ARCHITECTS</p>	<p>A 100 International Ltd. Company</p>	<p>ENGINEER'S SEAL</p> <p>ORIGINAL SIGNED BY P. WOBMA 2006/03/29</p> <p>CONSULTANT DRAWING NO. WB-M0466</p>	<p>THE CITY OF WINNIPEG WATER AND WASTE DEPARTMENT ENGINEERING DIVISION</p> <p>WATER TREATMENT PLANT MAIN BUILDING MECHANICAL AND ELECTRICAL</p> <p>PROCESS MECHANICAL STANDARD DETAILS</p>	CITY FILE NUMBER
	DESIGNED BY: TB					CHECKED BY: LS
	DRAWN BY: TR	APPROVED BY: AHL	CITY DRAWING NUMBER			
	SCALE: NTS	RELEASED FOR CONSTRUCTION BY: R. SOROKOWSKI	1-0601B-A-M0466-001-000			
00 ISSUED FOR TENDER 06/03/29 TB	DATE BY	DATE 2005/12/20	DATE 2006/03/29			