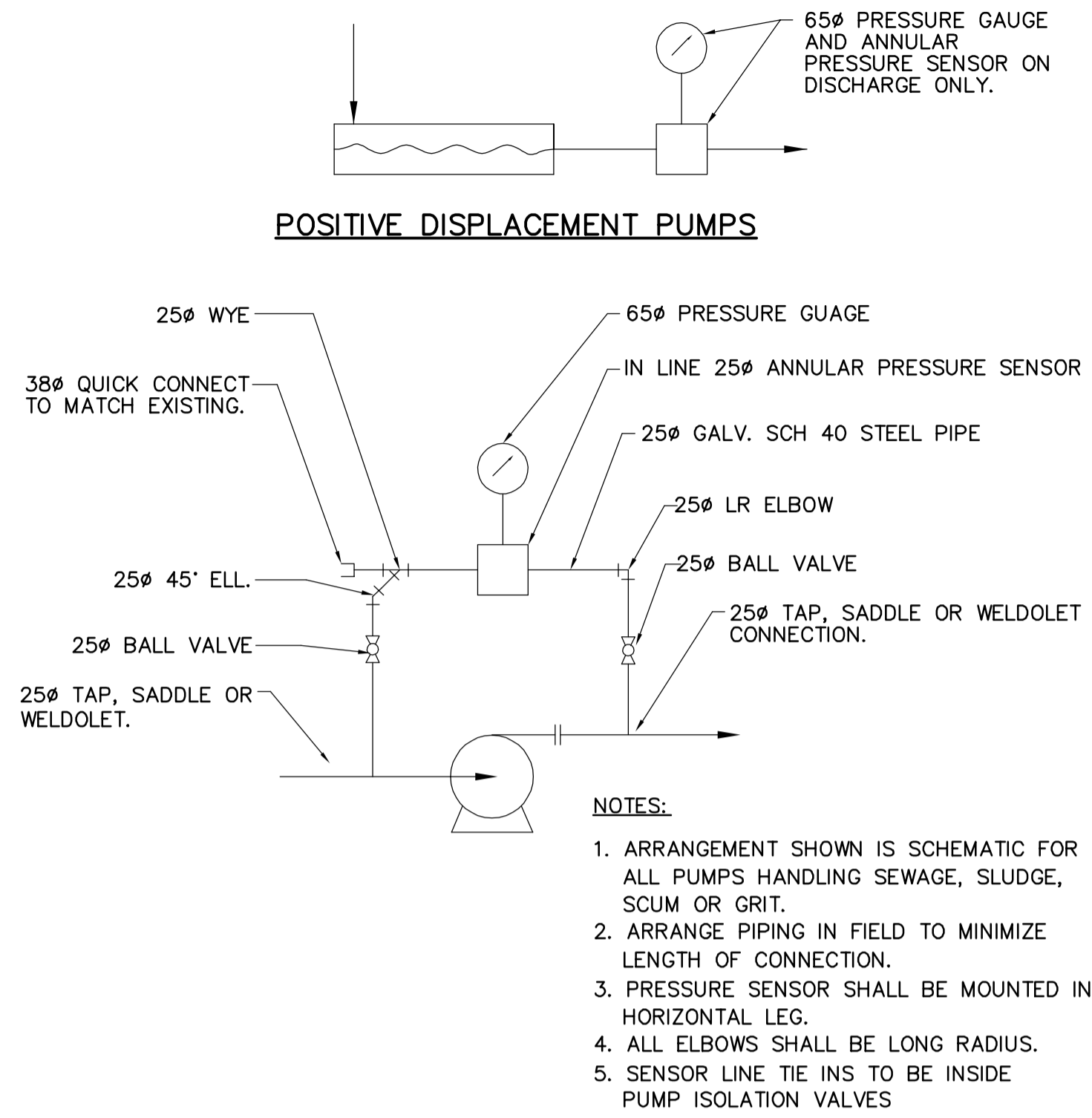
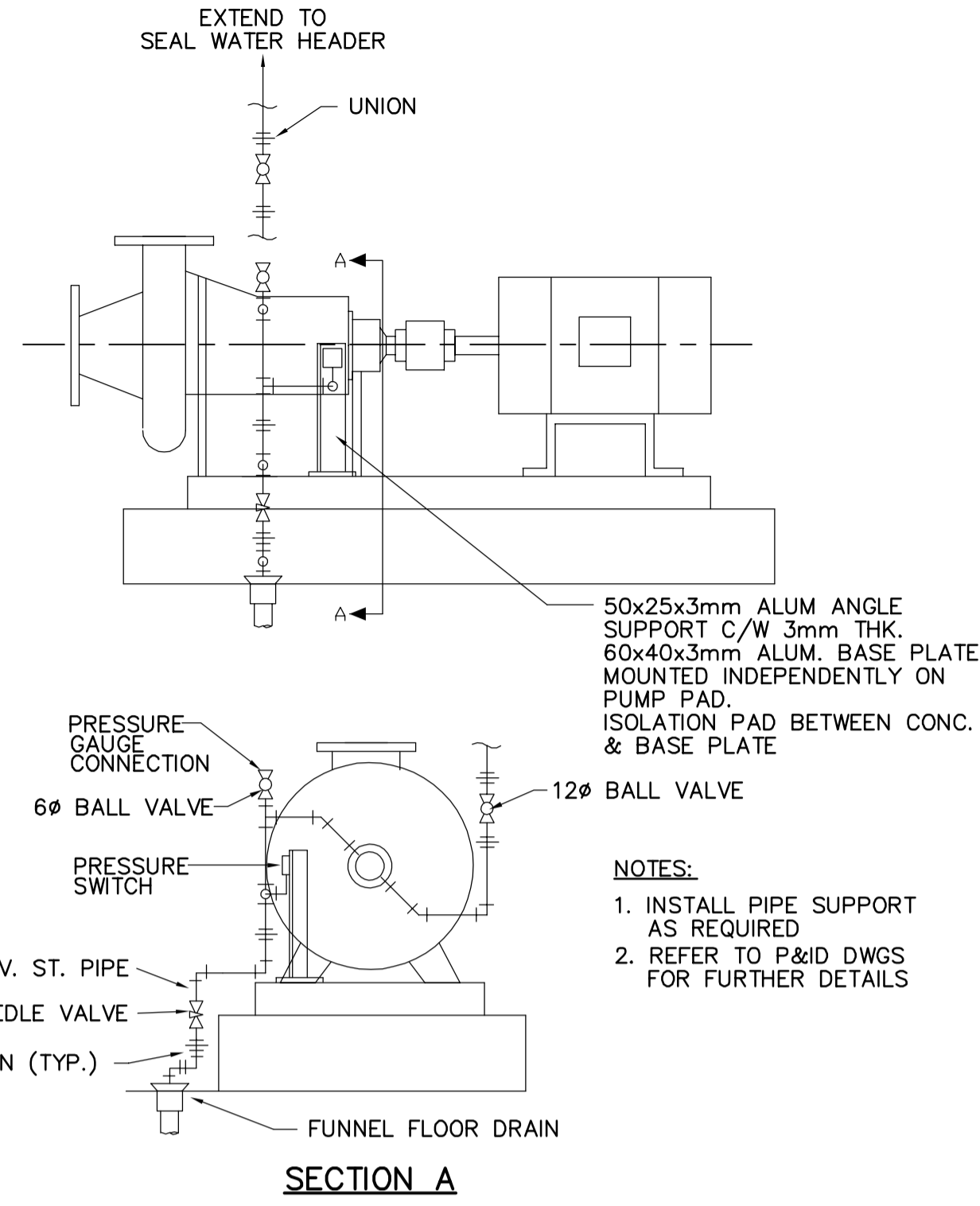


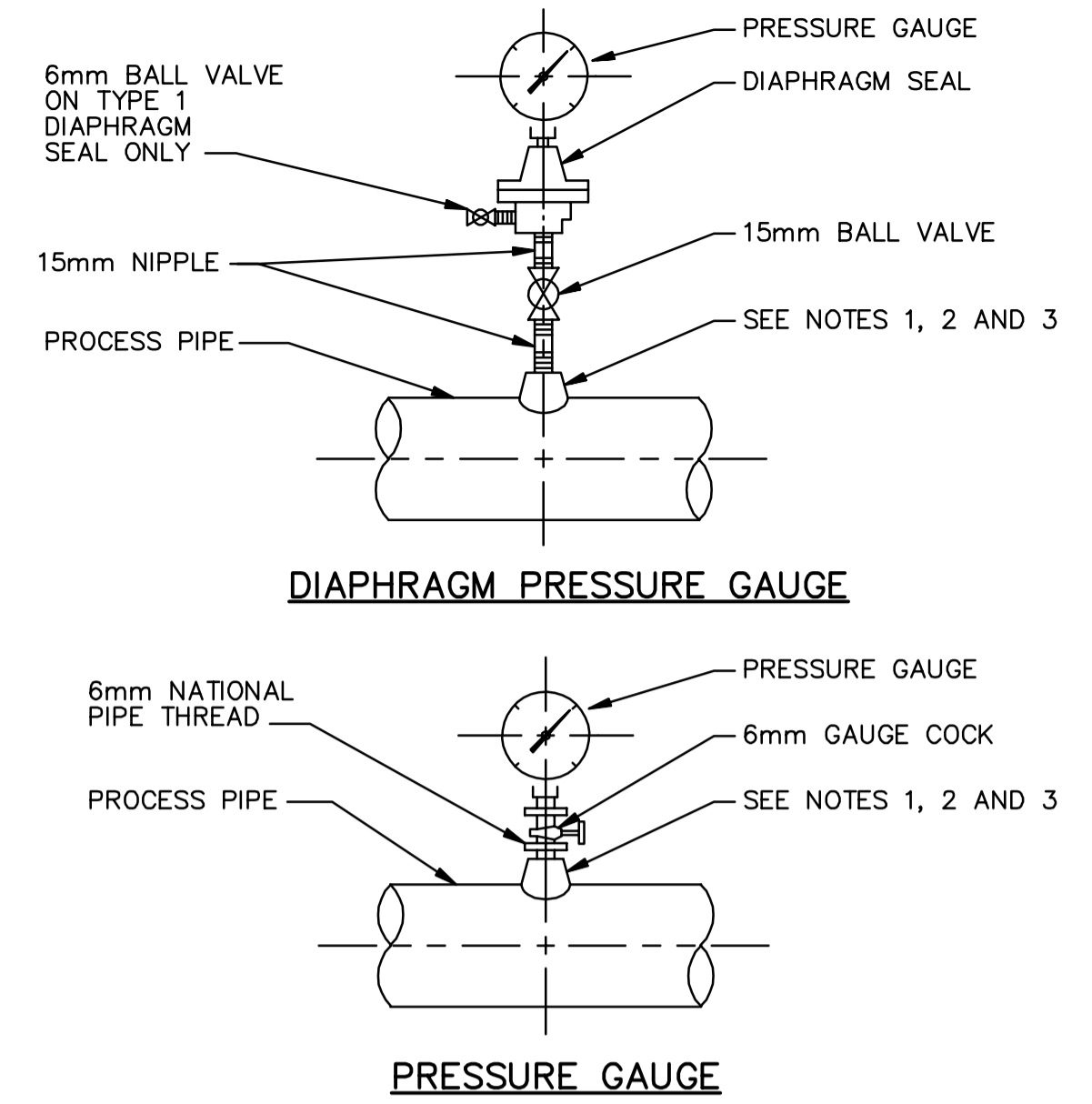
POSITIVE DISPLACEMENT PUMPS



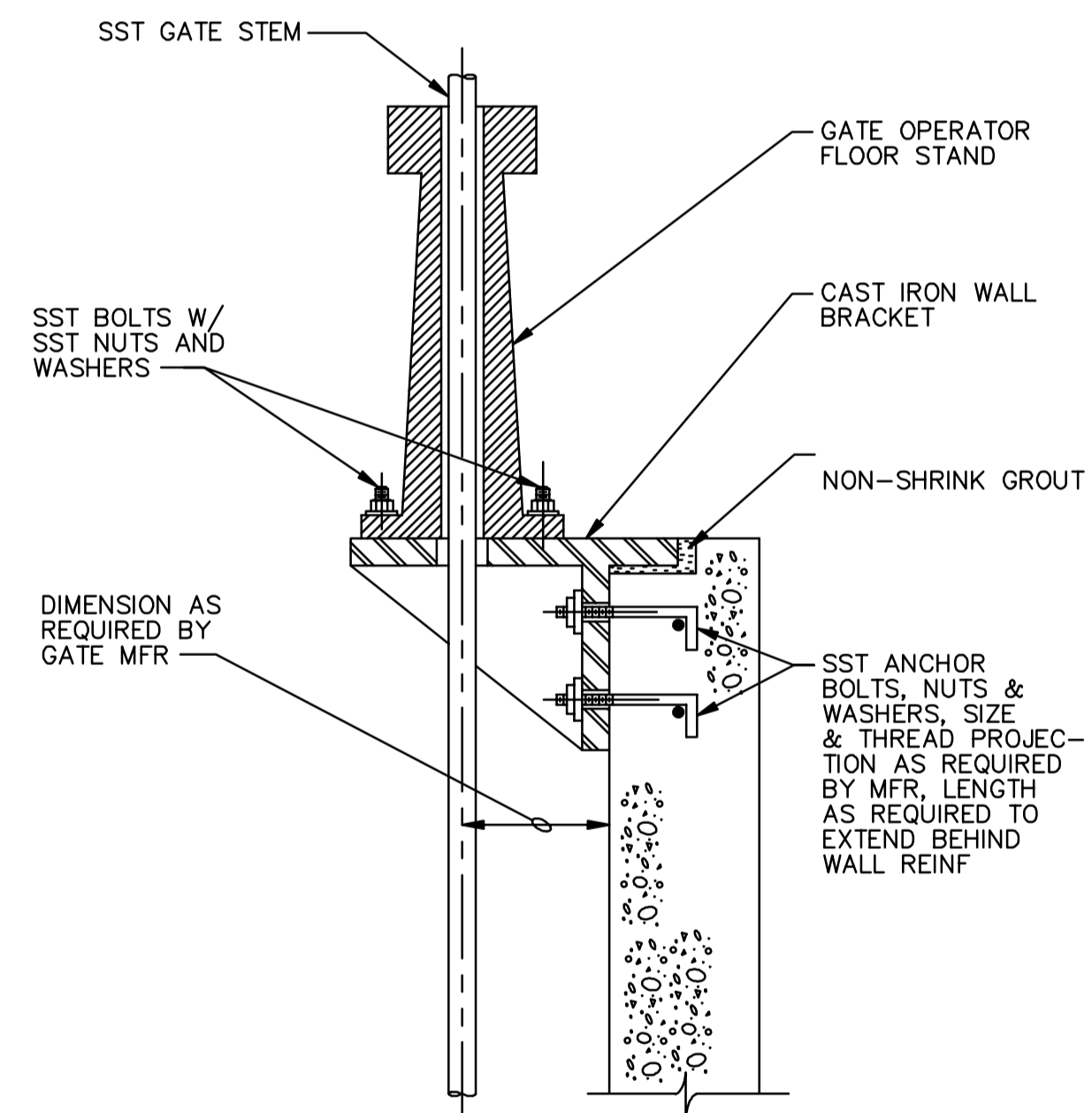
1 PRESSURE SENSING ARRANGEMENT ON SEWAGE, SCUM, SLUDGE & GRIT PUMPS



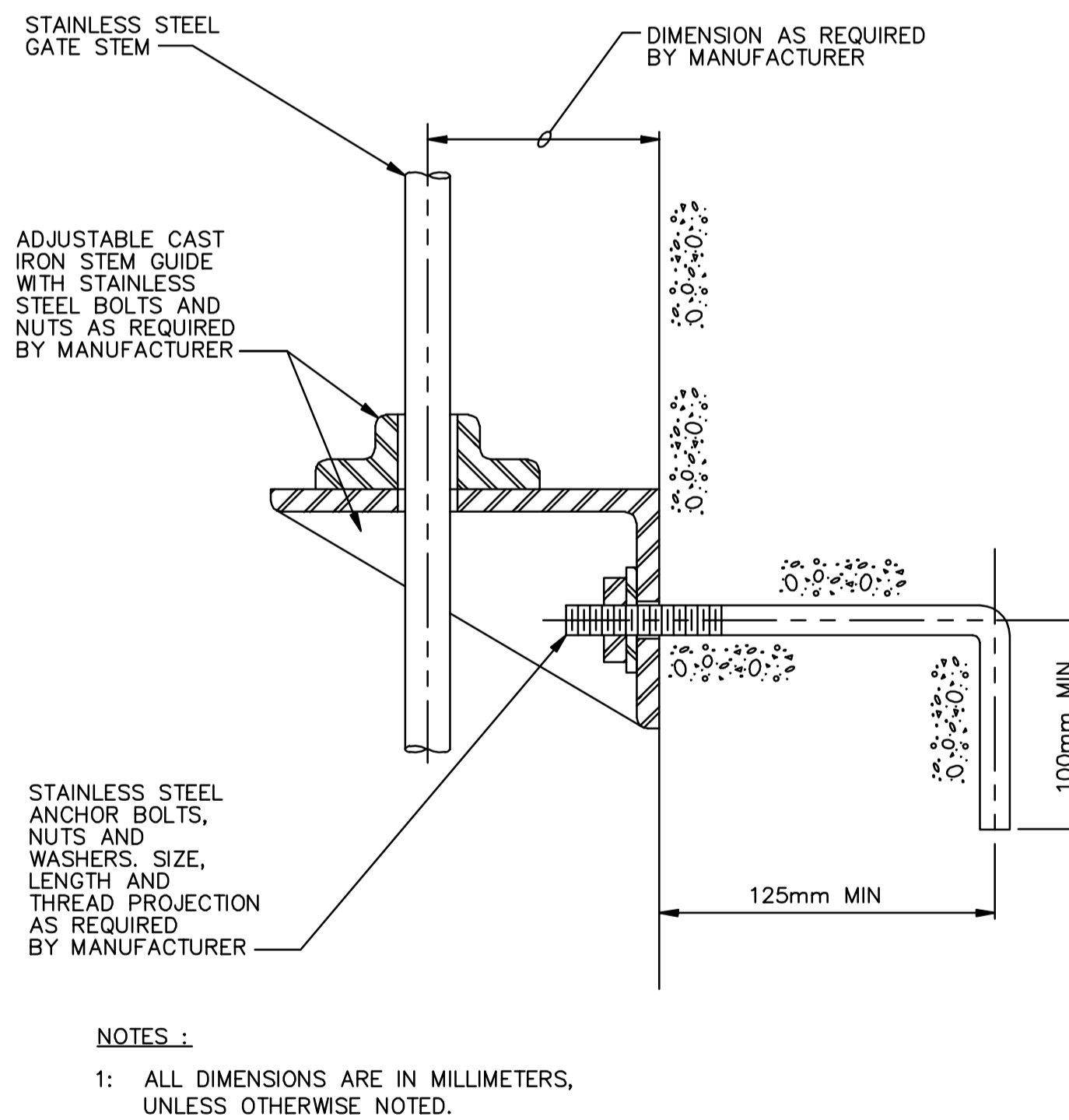
2 TYPICAL SEAL WATER PIPING FOR PUMPS



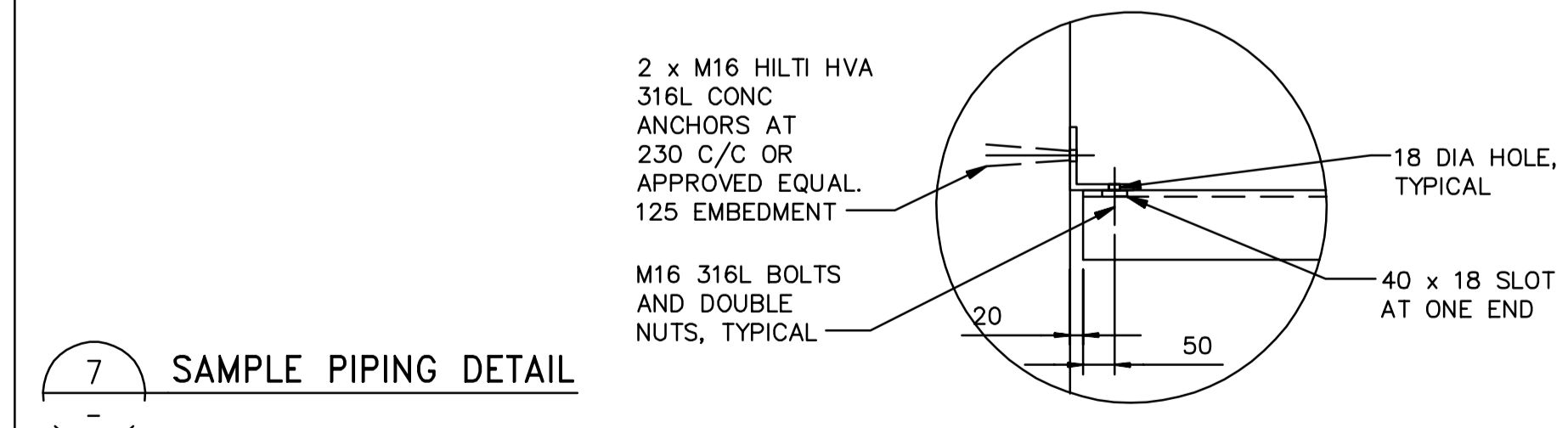
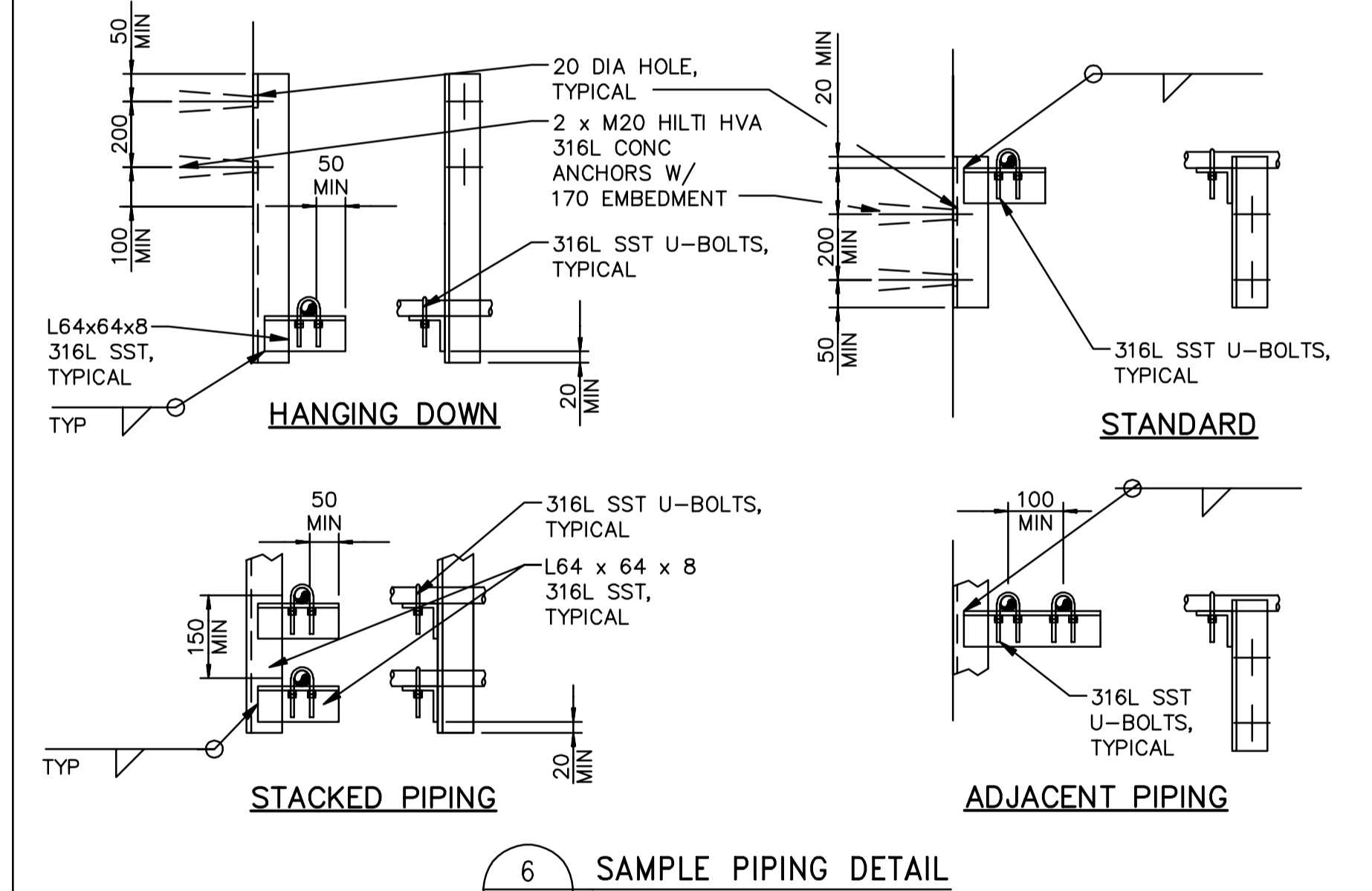
3 PRESSURE GAUGE MOUNTING



4 FLOOR STAND INSTALLATION



5 SLIDE GATE STEM GUIDE INSTALLATION



CH 15147A

<p>APEGN Certificate of Authorization CH2M HILL Canada Ltd. No. 1441 Expiry: April 30, 2006</p>	B.M. ELEV.	<p>Frederickson Cooper ARCHITECTS</p>	<p>EarthTech A You International Ltd. Company</p>	ENGINEER'S SEAL	<p>THE CITY OF WINNIPEG WATER AND WASTE DEPARTMENT ENGINEERING DIVISION</p>	
	DESIGNED BY TB			CHECKED BY LS		ORIGINAL SIGNED BY P. WOBMA
	DRAWN BY P SINGH			APPROVED BY AHL		2006/03/29
	SCALE: NTS			RELEASED FOR CONSTRUCTION BY: R. SOROKOWSKI		CONSULTANT DRAWING NO. WB-M0464
00 ISSUED FOR TENDER 06/03/29 TB	DATE 2005/12/02	DATE 2006/03/29	DATE 2006/03/29	DATE 2006/03/29	DATE 2006/03/29	
NO. REVISIONS	DATE	BY	DATE	DATE	DATE	

WATER TREATMENT PLANT MAIN BUILDING MECHANICAL AND ELECTRICAL	CITY FILE NUMBER
PROCESS MECHANICAL	SHEET OF
STANDARD DETAILS	CITY DRAWING NUMBER
	1-0601B-A-M0464-001-000