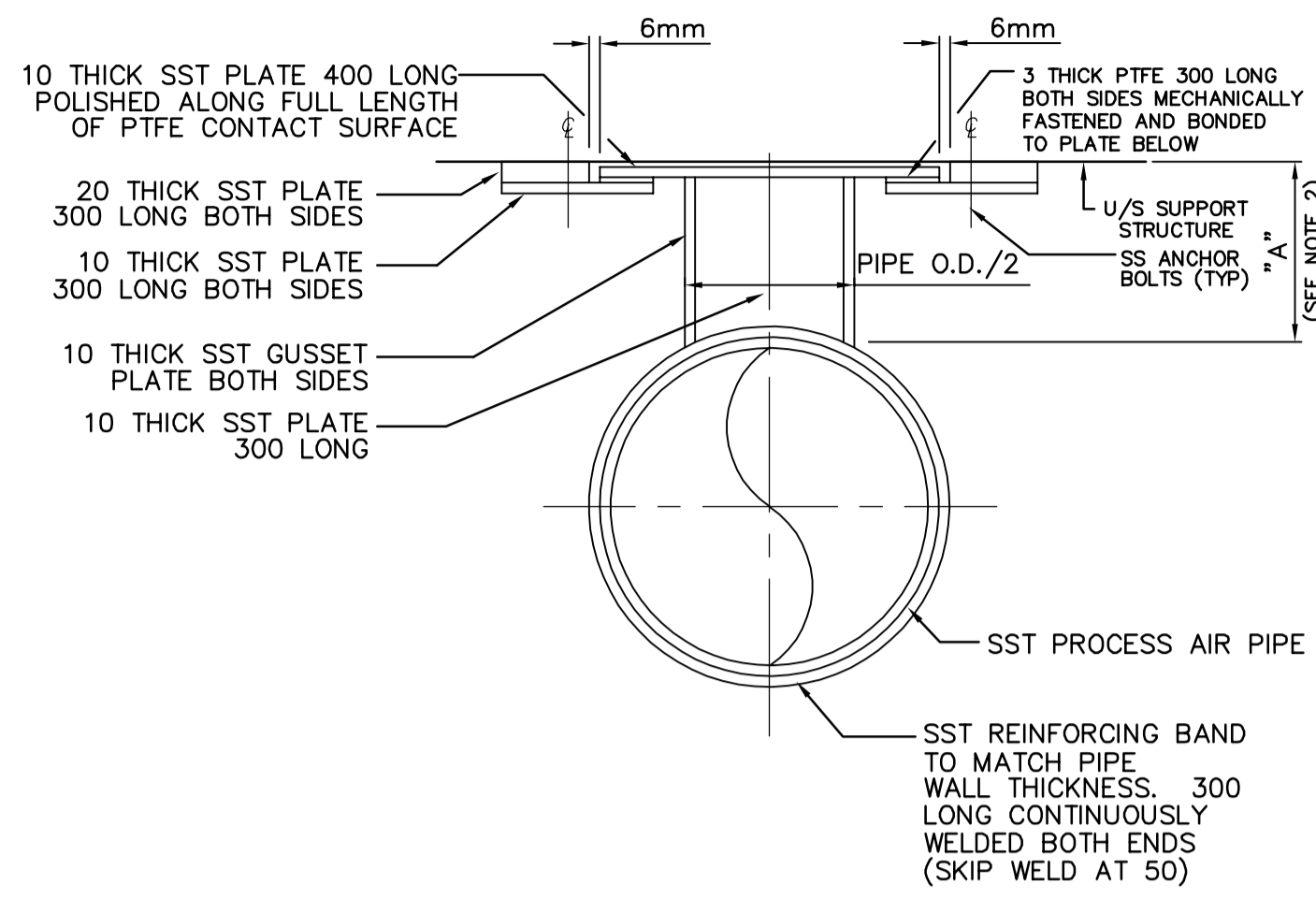
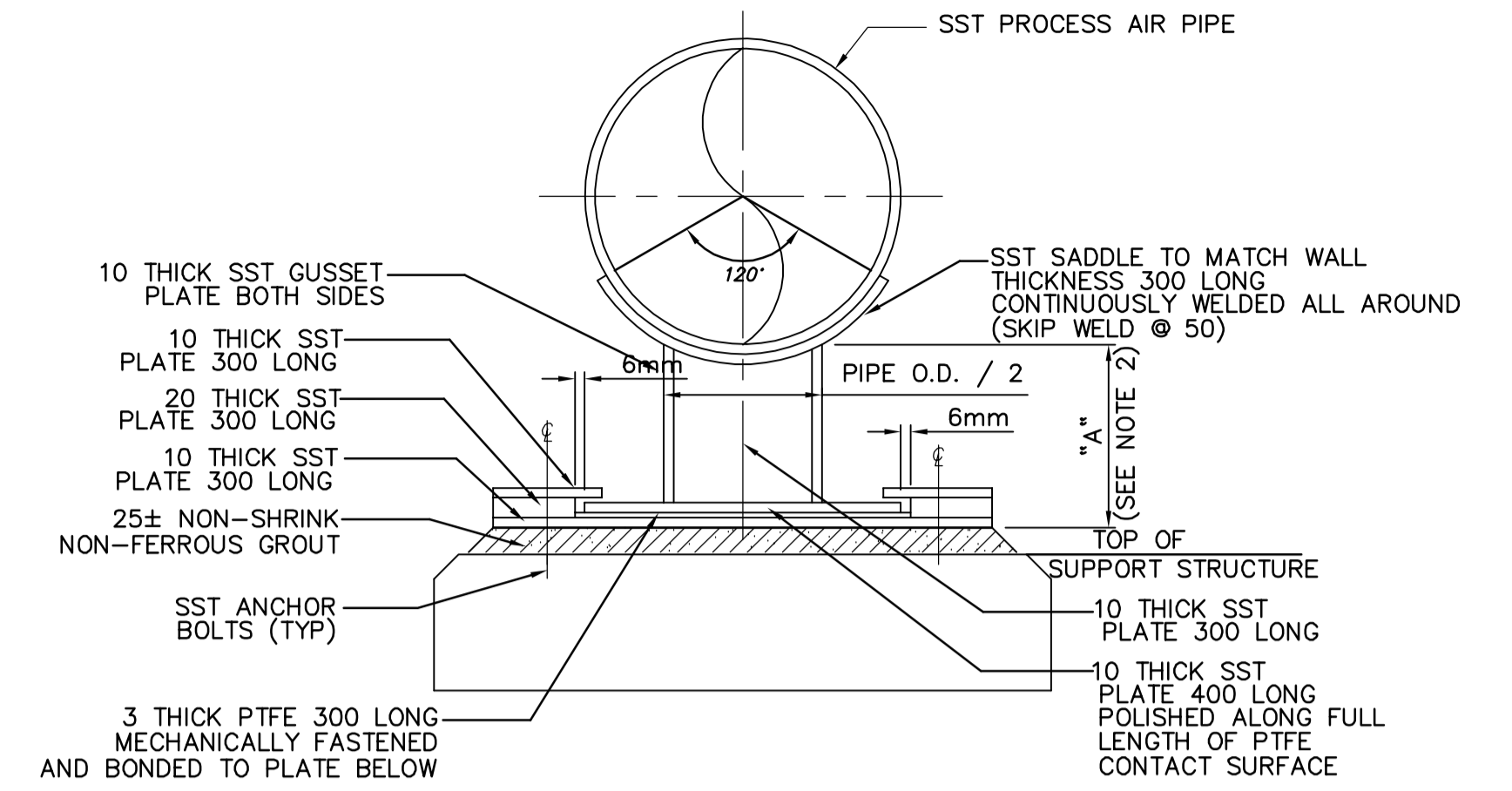


1 AIR PIPE HANGER SUPPORT



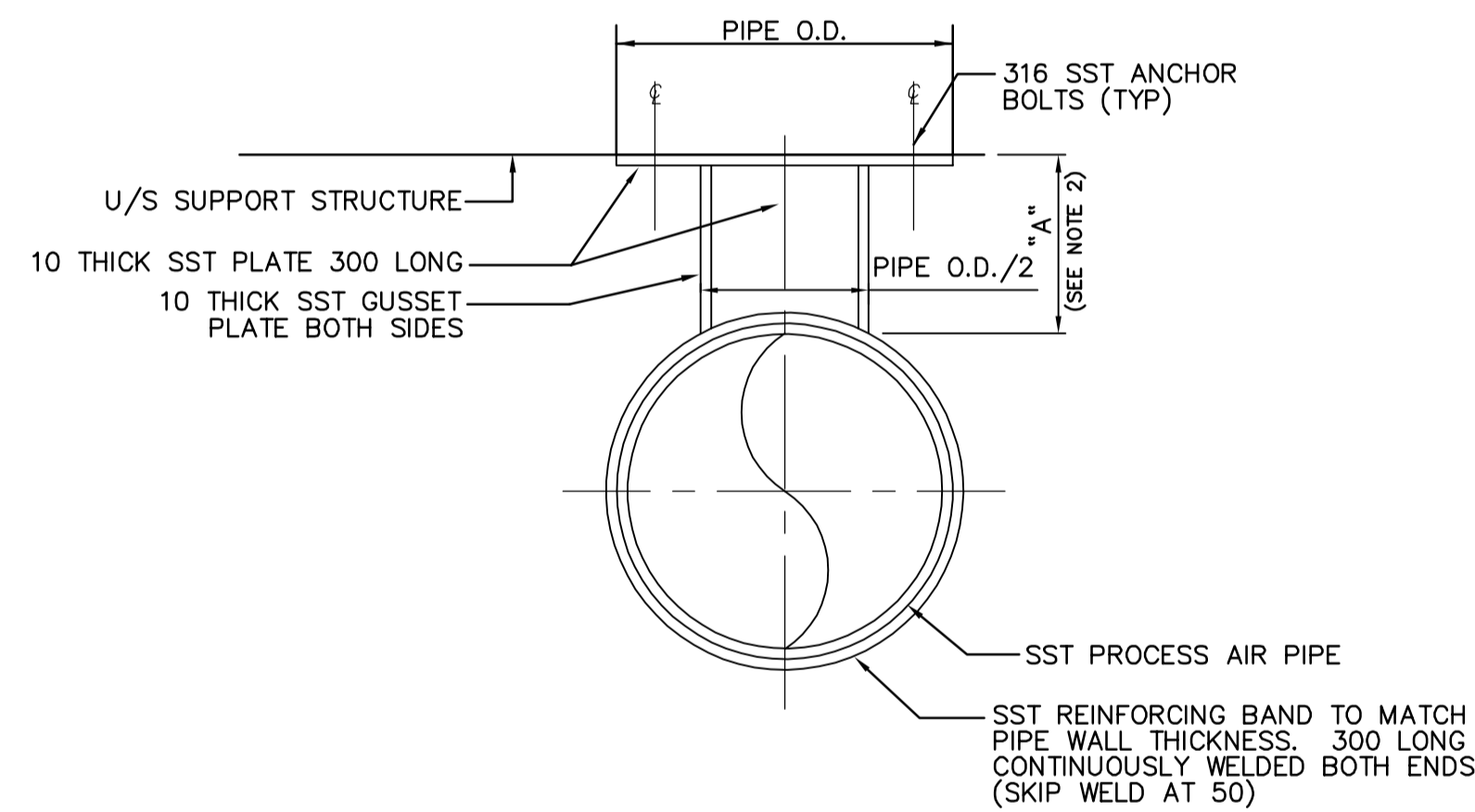
- NOTES:
1. SST DENOTES 316L STAINLESS STEEL
  2. MEMBER SIZES APPLY TO "A" DIMENSION UP TO 700mm FOR PIPE DIAMETERS TO 600mm, AND "A" DIMENSION UP TO 300mm FOR PIPE DIAMETERS BETWEEN 600 AND 1050mm. INCREASE MEMBER SIZES FOR LARGER DIMENSIONS AND/OR PIPE DIAMETERS
  3. SEE SPEC 15060 FOR DETAILS AND SPACING.

2 PROCESS AIR PIPE GUIDE



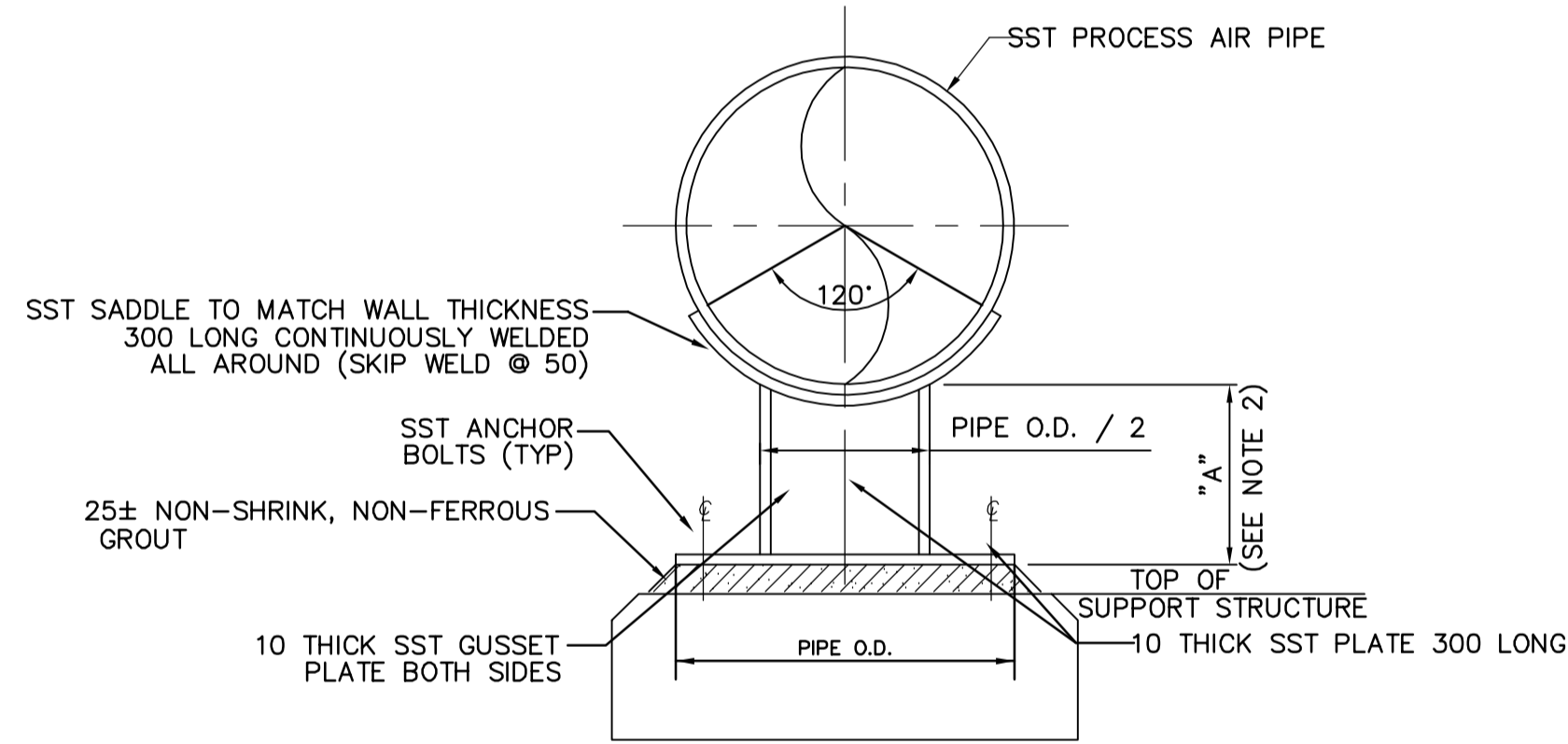
- NOTES:
1. SST DENOTES 316L STAINLESS STEEL
  2. MEMBER SIZES APPLY TO "A" DIMENSION UP TO 700mm FOR PIPE DIAMETERS TO 600mm, AND "A" DIMENSION UP TO 300mm FOR PIPE DIAMETERS BETWEEN 600 AND 1050mm. INCREASE MEMBER SIZES FOR LARGER DIMENSIONS AND/OR PIPE DIAMETERS
  3. SEE SPEC 15060 FOR DETAILS AND SPACING.

3 PROCESS AIR PIPE GUIDE



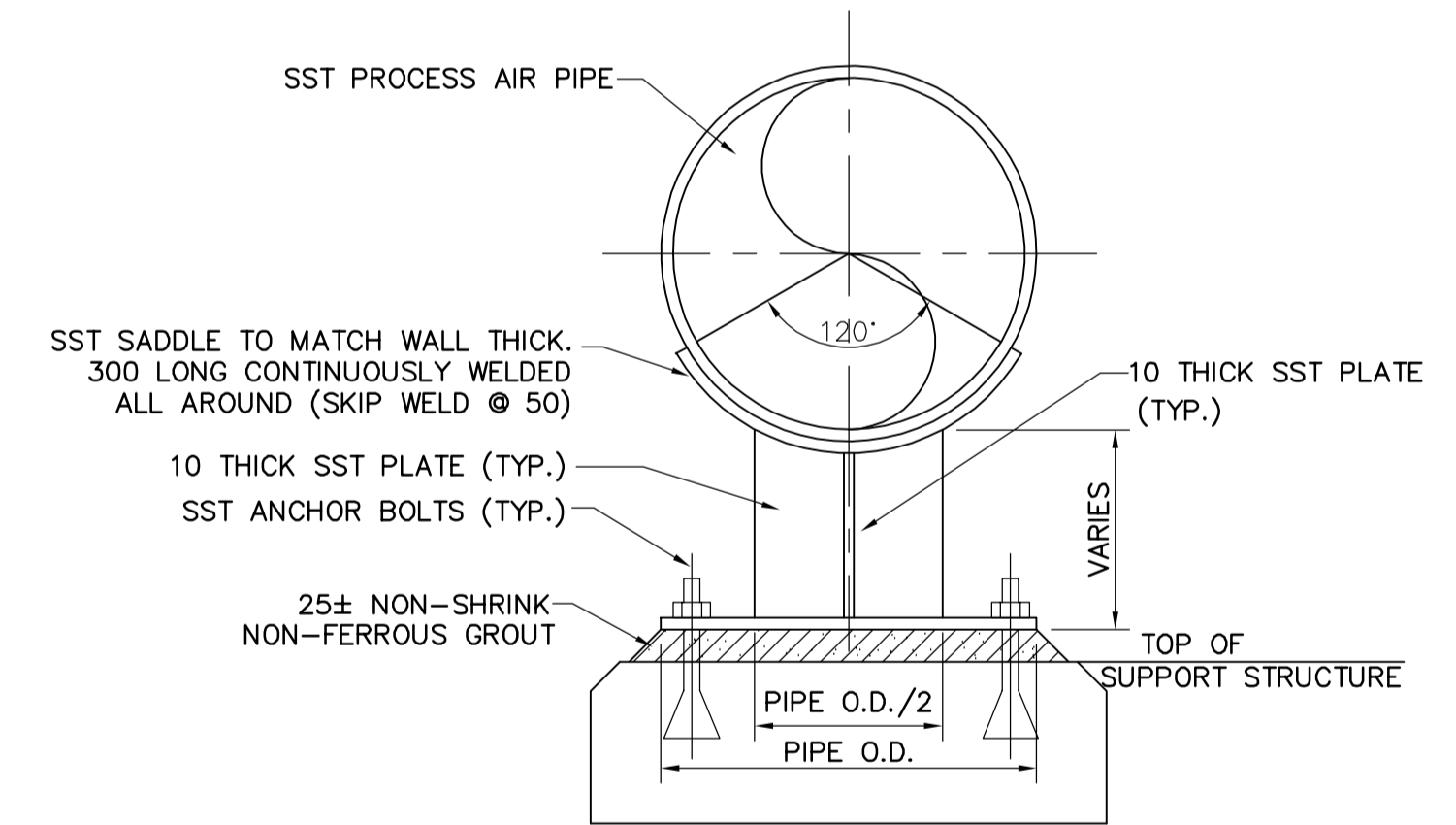
- NOTES:
1. SST DENOTES 316L STAINLESS STEEL
  2. MEMBER SIZES APPLY TO "A" DIMENSION UP TO 700mm FOR PIPE DIAMETERS TO 600mm, AND "A" DIMENSION UP TO 300mm FOR PIPE DIAMETERS BETWEEN 600 AND 1050mm. INCREASE MEMBER SIZES FOR LARGER DIMENSIONS AND/OR PIPE DIAMETERS
  3. SEE SPEC 15060 FOR DETAILS AND SPACING.
- REQUIRING NO LATERAL OR AXIAL MOVEMENT

4 PROCESS AIR PIPE ANCHOR



- NOTES:
1. SST DENOTES 316L STAINLESS STEEL
  2. MEMBER SIZES APPLY TO "A" DIMENSION UP TO 700mm FOR PIPE DIAMETERS TO 600mm, AND "A" DIMENSION UP TO 300mm FOR PIPE DIAMETERS BETWEEN 600 AND 1050mm. INCREASE MEMBER SIZES FOR LARGER DIMENSIONS AND/OR PIPE DIAMETERS
  3. SEE SPEC 15060 FOR DETAILS AND SPACING.
- REQUIRING NO LATERAL OR AXIAL MOVEMENT

5 PROCESS AIR PIPE ANCHOR



- NOTES:
1. SST DENOTES 316L STAINLESS STEEL
  2. MEMBER SIZES APPLY TO "A" DIMENSION UP TO 700mm FOR PIPE DIAMETERS TO 600mm, AND "A" DIMENSION UP TO 300mm FOR PIPE DIAMETERS BETWEEN 600 AND 1050mm. INCREASE MEMBER SIZES FOR LARGER DIMENSIONS AND/OR PIPE DIAMETERS
  3. SEE SPEC 15060 FOR DETAILS AND SPACING.
- REQUIRING NO LATERAL OR AXIAL MOVEMENT

6 PROCESS AIR PIPE SUPPORT

<p>Certificate of Authorization CH2M HILL Canada Ltd. No. 1441 Expiry: April 30, 2006</p>	<p>Frederickson Cooper ARCHITECTS</p>	<p>A Terra International Ltd. Company</p>	ENGINEER'S SEAL	<p>THE CITY OF WINNIPEG WATER AND WASTE DEPARTMENT ENGINEERING DIVISION</p>
			<p>DESIGNED BY TB</p> <p>DRAWN BY P SINGH</p> <p>SCALE: NTS</p>	
<p>00 ISSUED FOR TENDER 06/03/29 TB</p>			<p>CONSULTANT DRAWING NO. WB-M0460</p>	<p>CITY FILE NUMBER</p>
<p>NO. REVISIONS DATE BY DATE 2005/12/02 DATE 2006/03/29</p>			<p>2006/03/29</p>	<p>SHEET OF</p> <p>CITY DRAWING NUMBER 1-0601B-A-M0460-001-000</p>