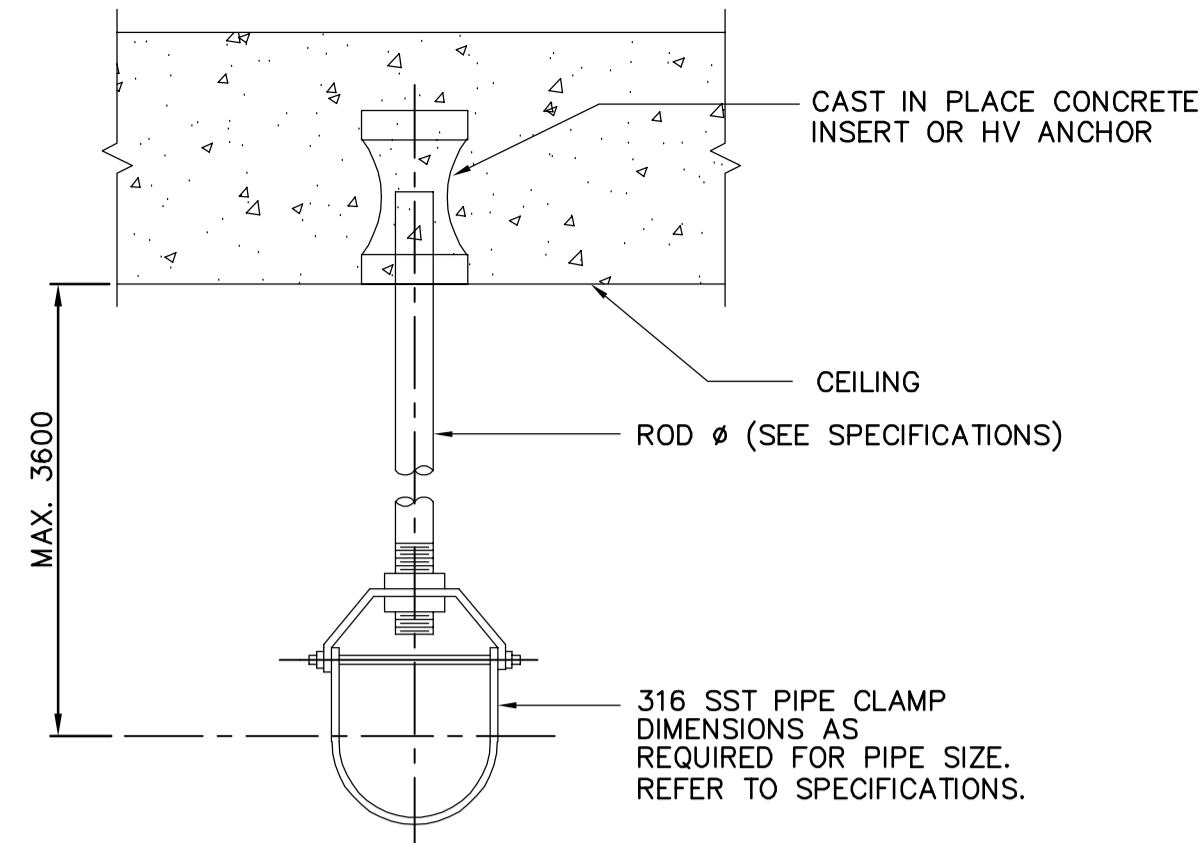


MAXIMUM LOAD OF BEAM LOADED @ CENTER (kg)	LENGTH OF SUPPORT L (mm)
440	760
740	450
1120	300

1 TYPE 1 WALL MOUNTED PIPE SUPPORT

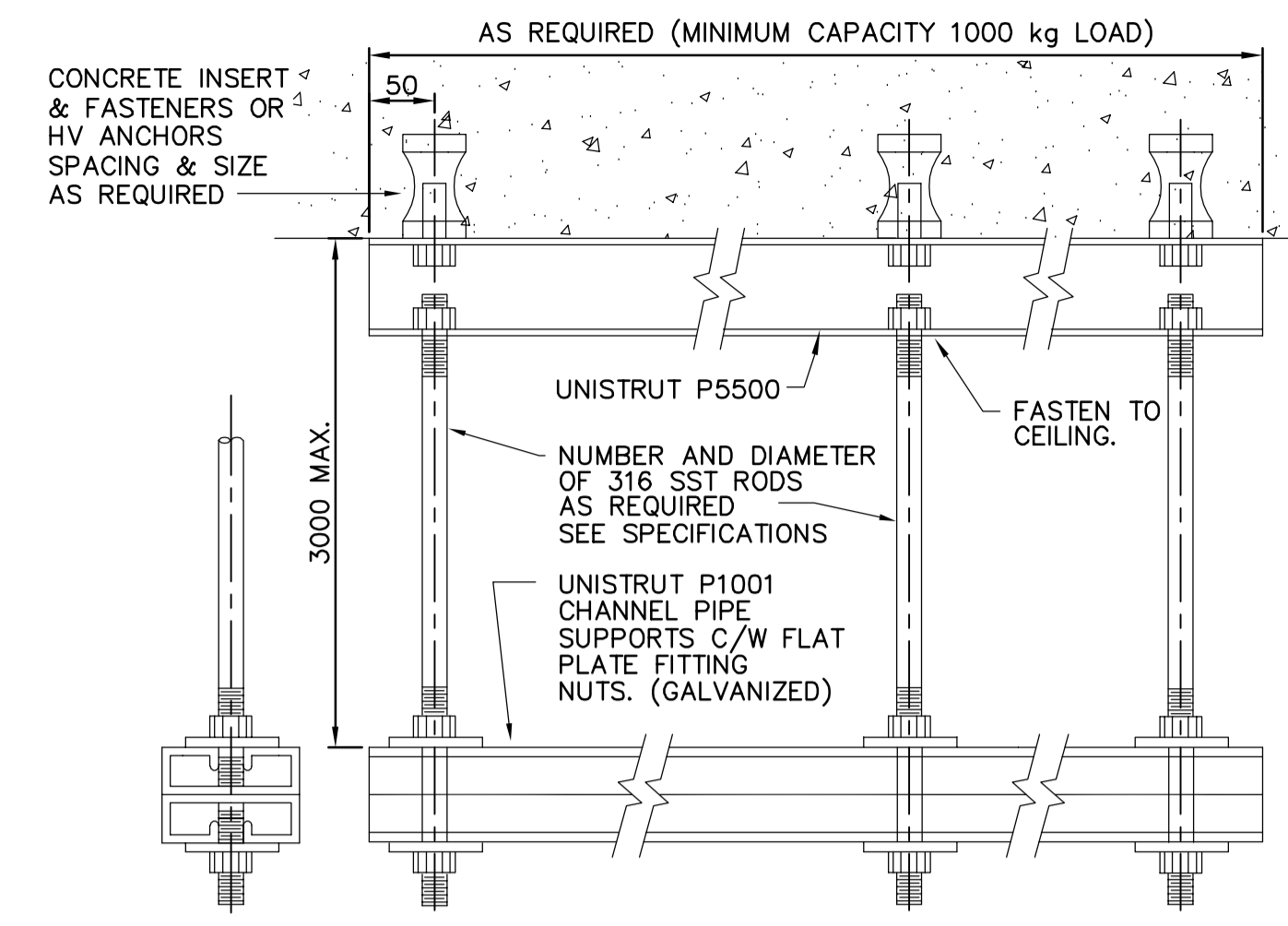


PIPE SIZE (mm)	ROD SIZE (mm)	MAX LOAD (kg)
25	9.4	280
50	9.4	280
75	12.0	510
100	16.0	800
150	20.0	1230
200	22.0	1710
250	25.0	2250
300	25.0	2250
350	25.0	2250
400	25.0	2250
450	25.0	2250
500	32.0	3630
600	32.0	3630

SAFETY FACTOR = 5

GRINNELL OR SIMILAR

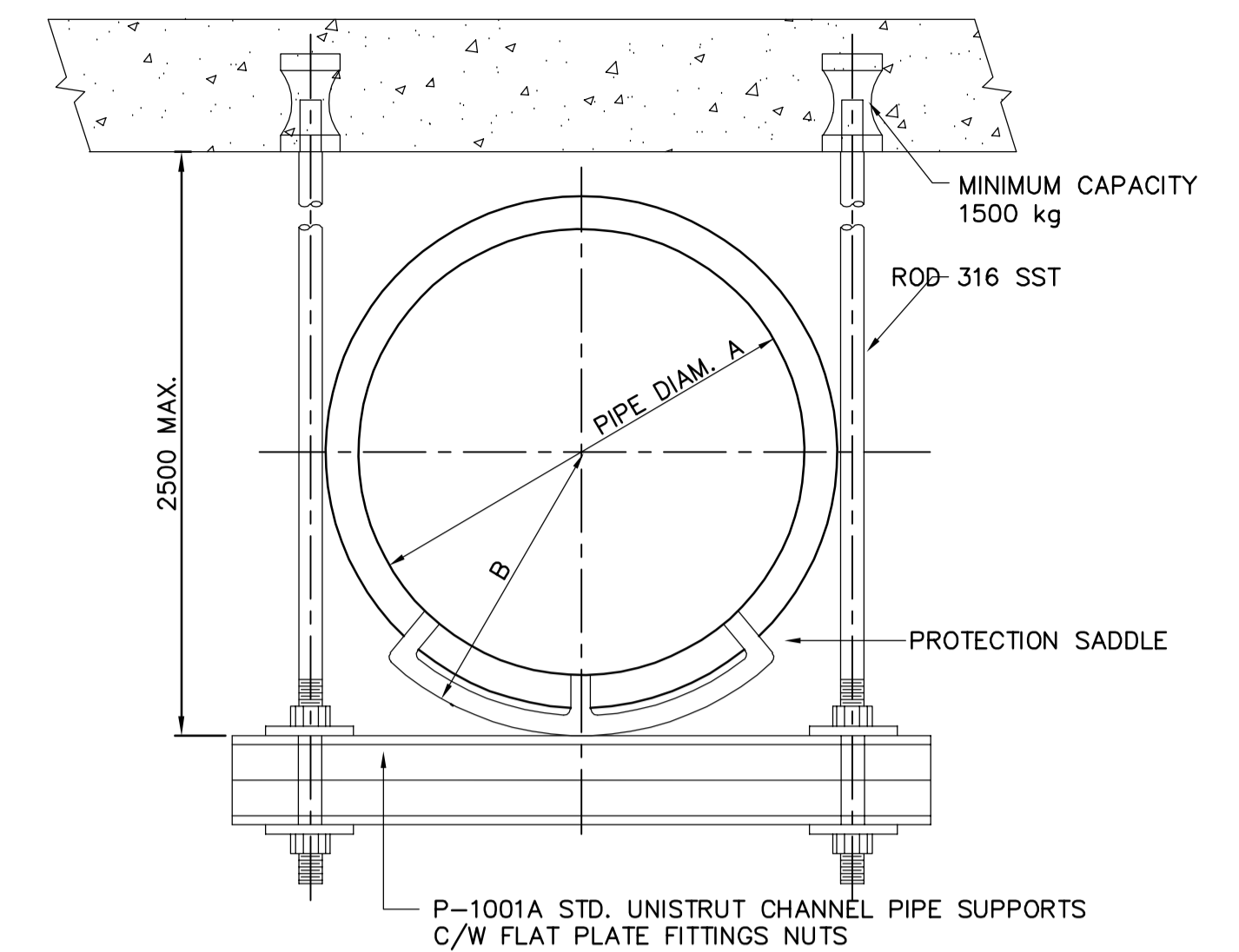
2 SINGLE PIPE HANGER



PIPE SPACING	PIPE SIZES ON RACK	ROD SIZE REQUIRED
600mm	150mm AND SMALLER	9mm
	300mm AND SMALLER	12mm
900mm	100mm AND SMALLER	9mm
	200mm AND SMALLER	12mm
	300mm AND SMALLER	19mm
1200mm	75mm AND SMALLER	9mm
	150mm AND SMALLER	12mm
	200mm AND SMALLER	16mm
	300mm AND SMALLER	19mm

NOTE: 1. MAXIMUM SPACING = 1200mm 2. MINIMUM SAFETY FACTOR = 3

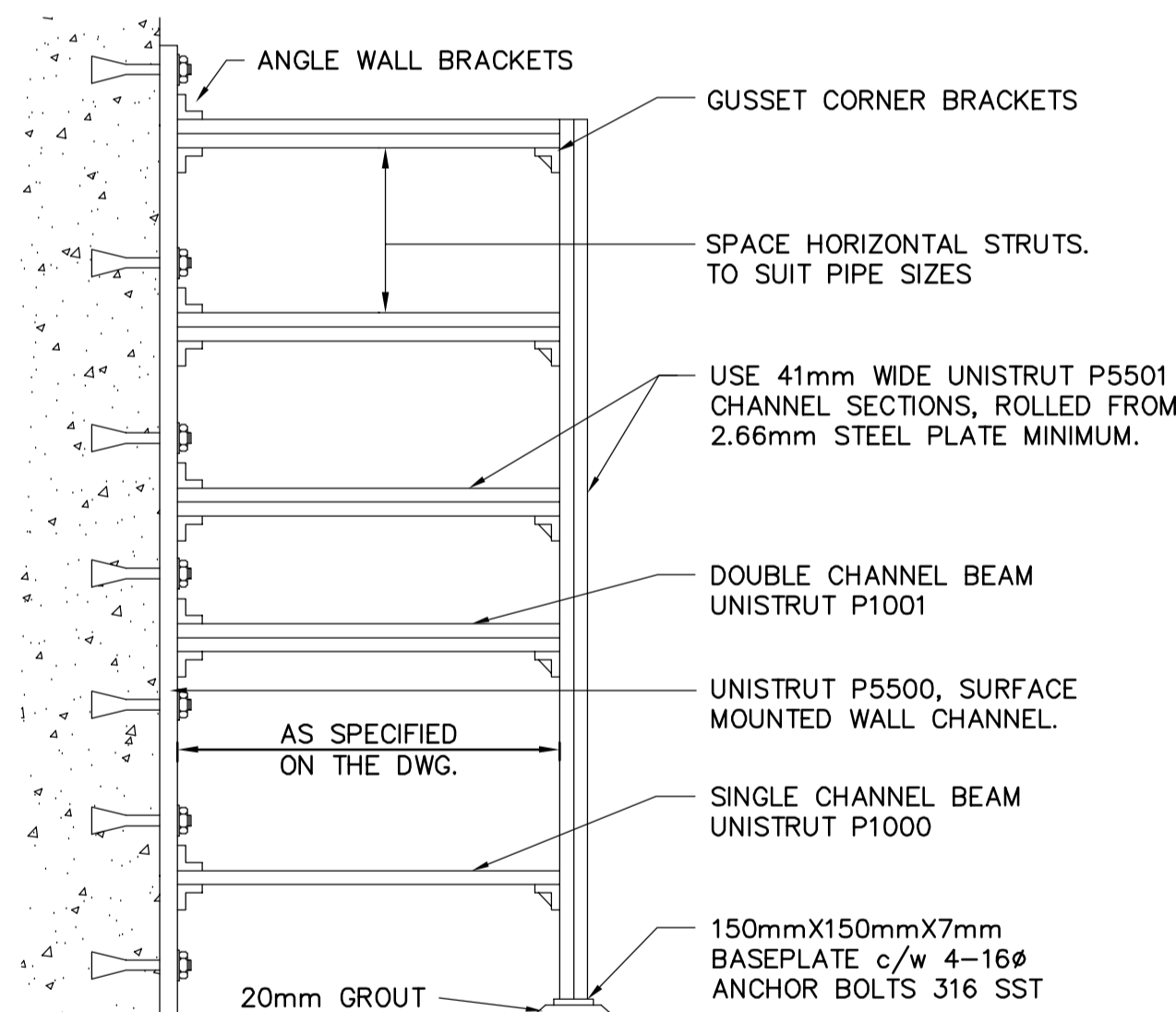
3 MULTI-PIPE HANGER



PIPE DIAM. A (mm)	B (mm)	ROD phi (mm)	MAX. REC. LOAD (kg)
300	216	12.5	2660
450	262	12.5	2660
750	445	12.5	2660
900	532	12.5	2660

MINIMUM SAFETY FACTOR = 3

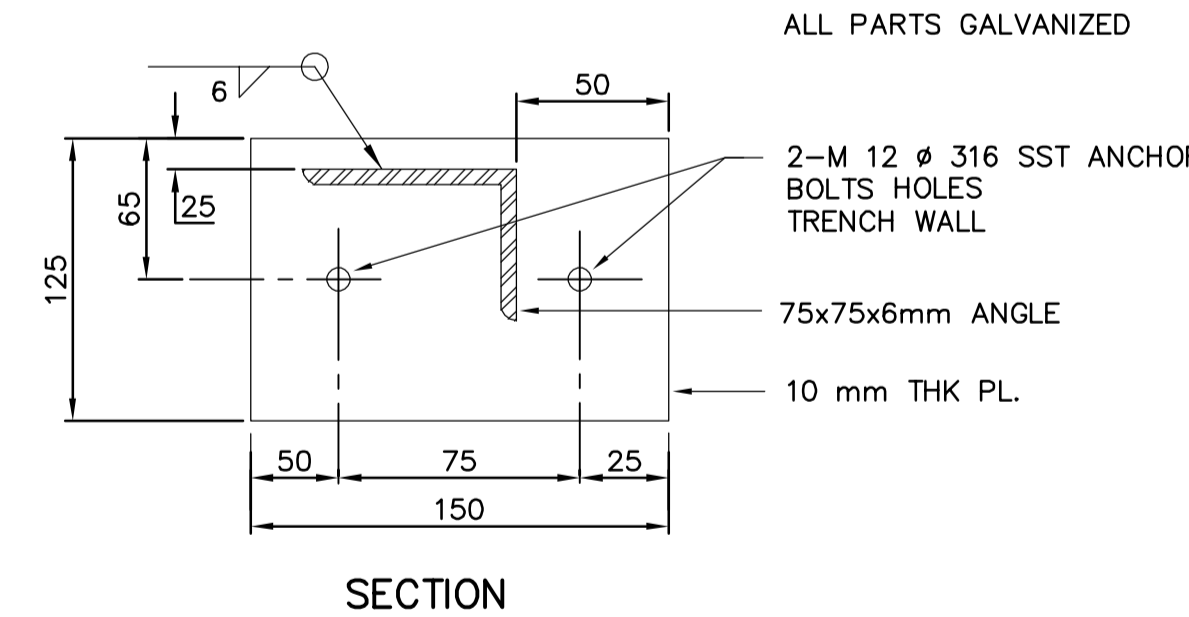
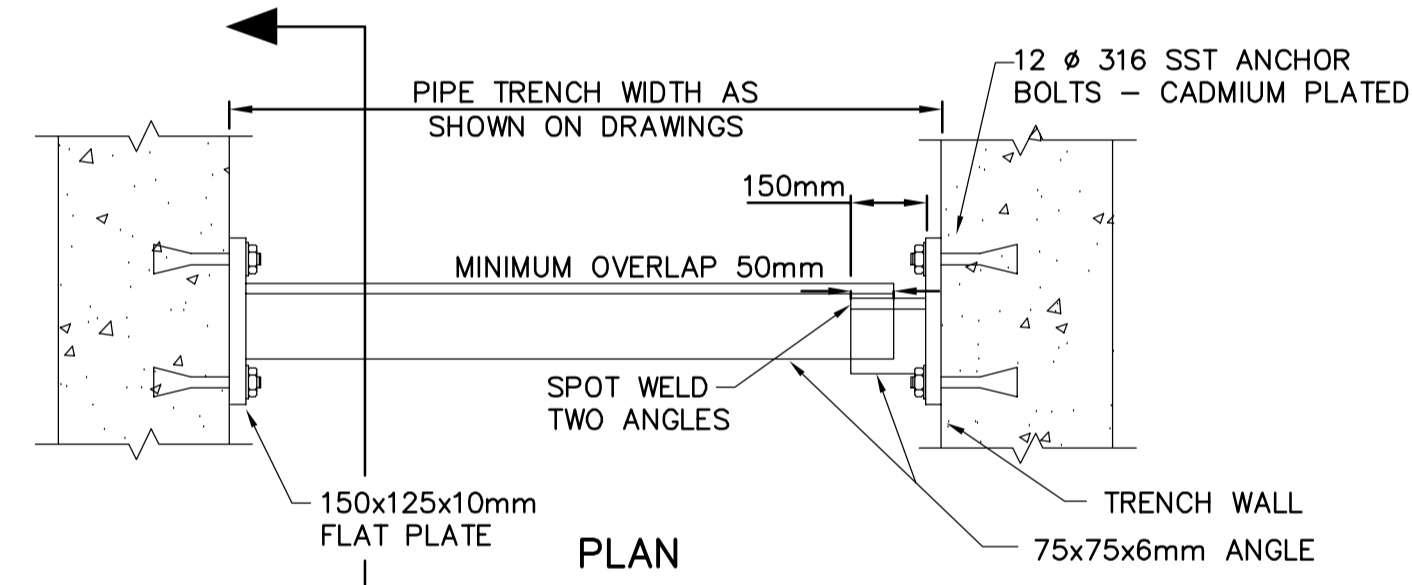
4 PROTECTION SADDLE FOR PIPE HANGERS



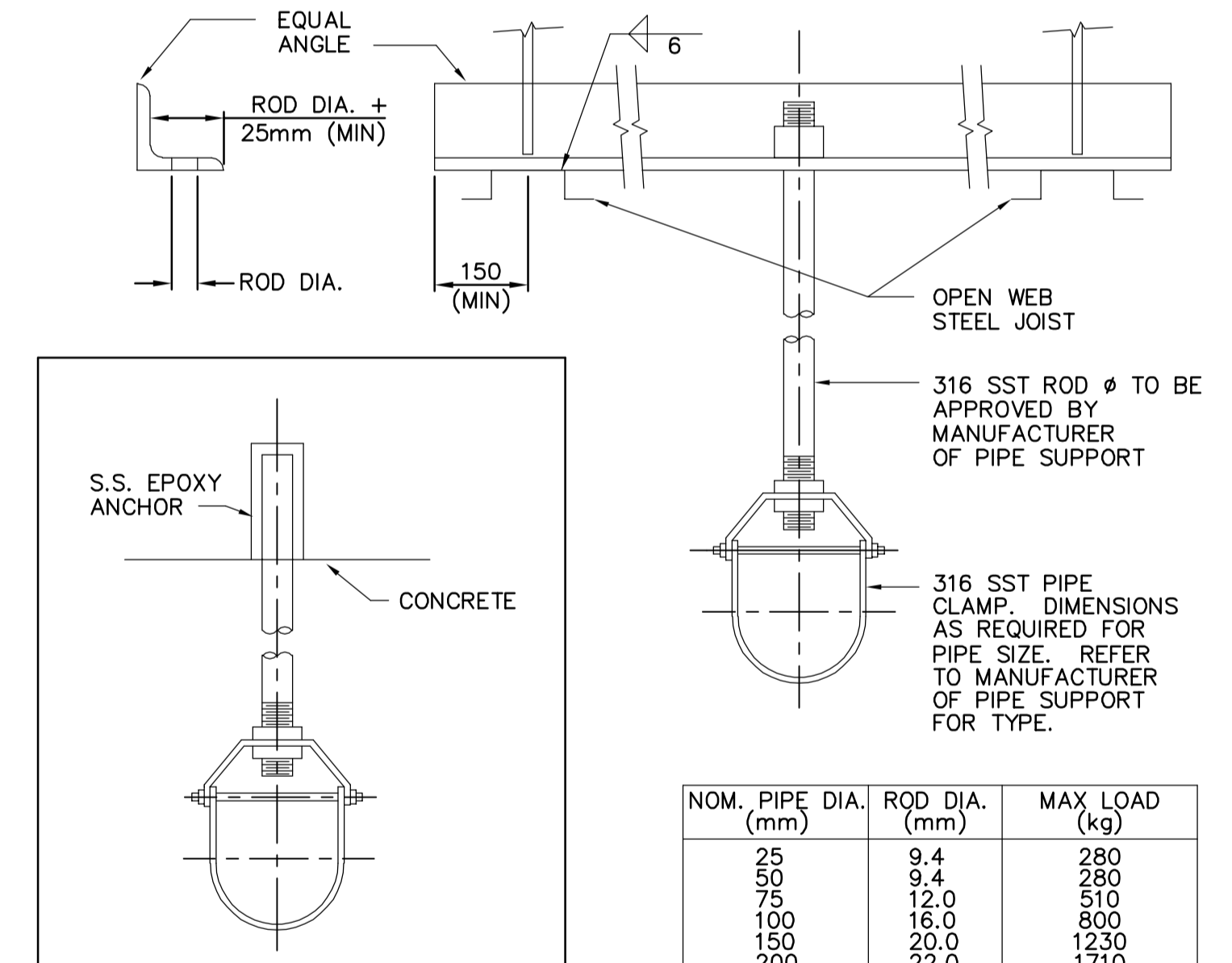
BEAM WIDTH (mm)	MAXIMUM LOAD SINGLE CHANNEL UNISTRUT P1000 (kg)	MAXIMUM LOAD DOUBLE CHANNEL UNISTRUT P1001 (kg)	MAXIMUM COLUMN LOADING UNISTRUT P5501 (kg)	MAXIMUM LOAD DOUBLE CHANNEL UNISTRUT P5501 (kg)
600	770	1125	8400	1680
900	510	1125	8260	1680
1200	390	1080	7990	1680

MINIMUM SAFETY FACTOR = 3

5 PIPE RACK



6 PIPE SUPPORT IN TRENCH OR PIPE CHASE



NOTE: ALL PIPE HANGER MATERIAL IN RESERVOIR TO BE 316 SS

NOM. PIPE DIA. (mm)	ROD DIA. (mm)	MAX LOAD (kg)
25	9.4	280
50	9.4	280
75	12.0	510
100	16.0	800
150	20.0	1230
200	22.0	1710
250	25.0	2250
300	25.0	2250
350	25.0	2250
450	25.0	2250
500	32.0	3630
600	32.0	3630

PROVIDE PIPE SUPPORT WITH SAFETY FACTOR = 5 GRINNELL OR SIMILAR

7 PIPE HANGER



NO.	REVISIONS	DATE	BY
00	ISSUED FOR TENDER	06/03/29	PW

DESIGNED BY	CHECKED BY
TB	LS
DRAWN BY	APPROVED BY
P SINGH	AHL
SCALE:	RELEASED FOR CONSTRUCTION BY:
NTS	R. SOROKOWSKI

ENGINEER'S SEAL
ORIGINAL SIGNED BY P. WOBMA 2006/03/29
CONSULTANT DRAWING NO. WB-M0457

THE CITY OF WINNIPEG
WATER AND WASTE DEPARTMENT
ENGINEERING DIVISION

WATER TREATMENT PLANT
MAIN BUILDING
MECHANICAL AND ELECTRICAL

PROCESS MECHANICAL
STANDARD DETAILS

CITY FILE NUMBER
SHEET OF
CITY DRAWING NUMBER
1-0601B-A-M0457-001-000