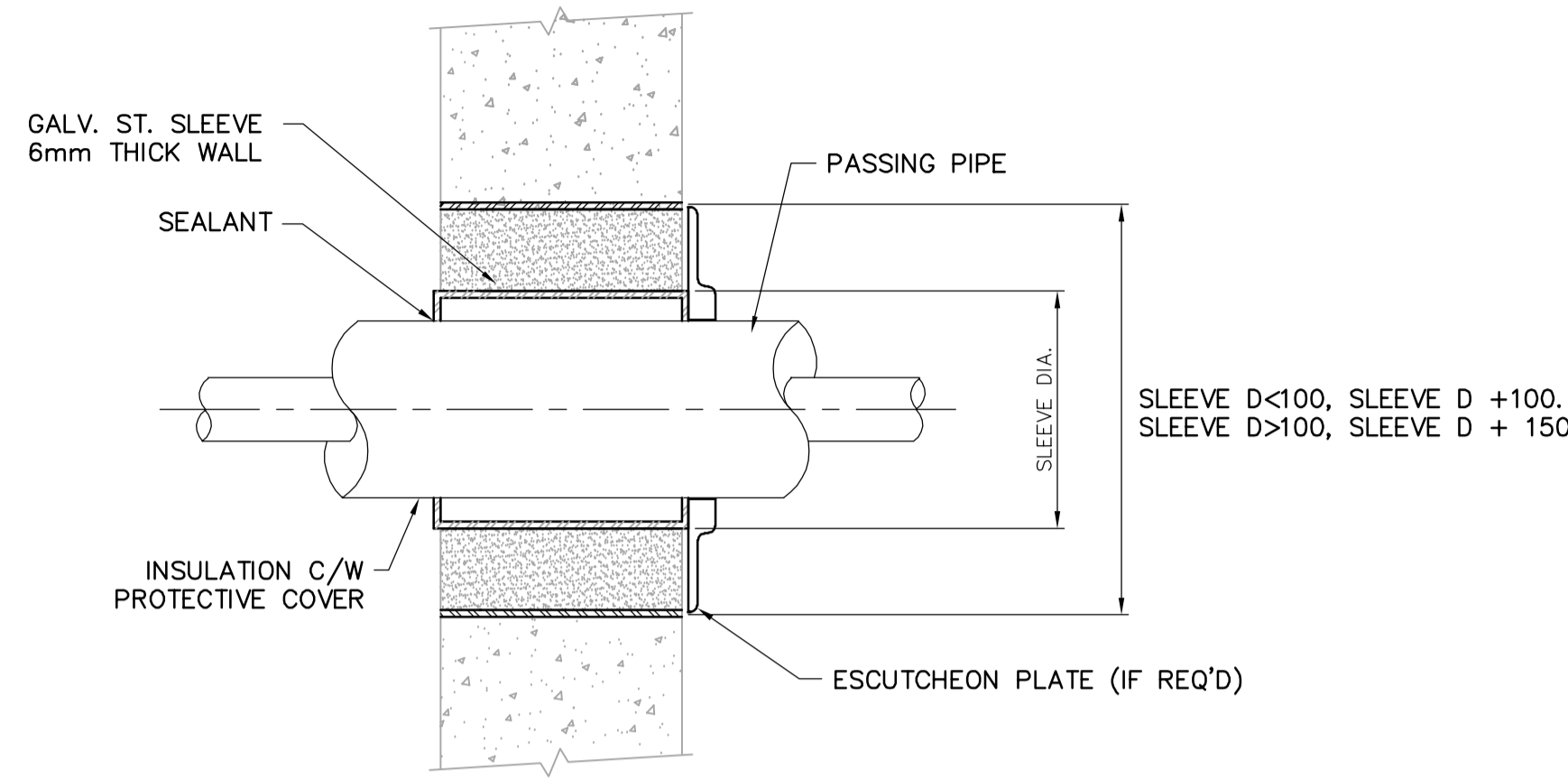


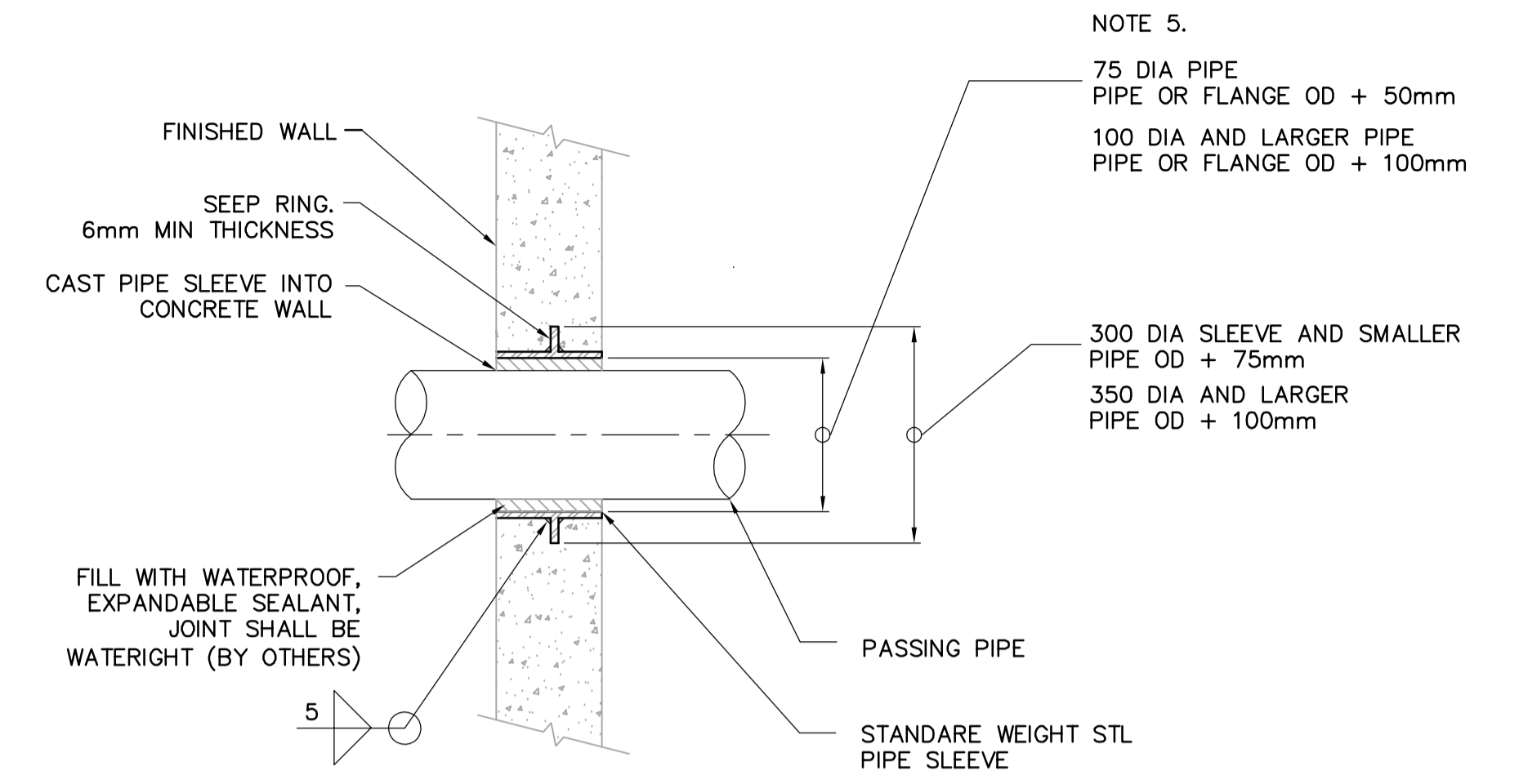
**APPLICATION NOTES:**  
 1. LESS THAN 75mm NOMINAL I.D. FOR PIPES.  
 2. SIZES 100mm AND SMALLER FOR ELECTRICAL CONDUIT.  
 3. ALLOW TRANSVERSE MOVEMENT

**7 WALL PENETRATION NO. 7**  
 - N.T.S.

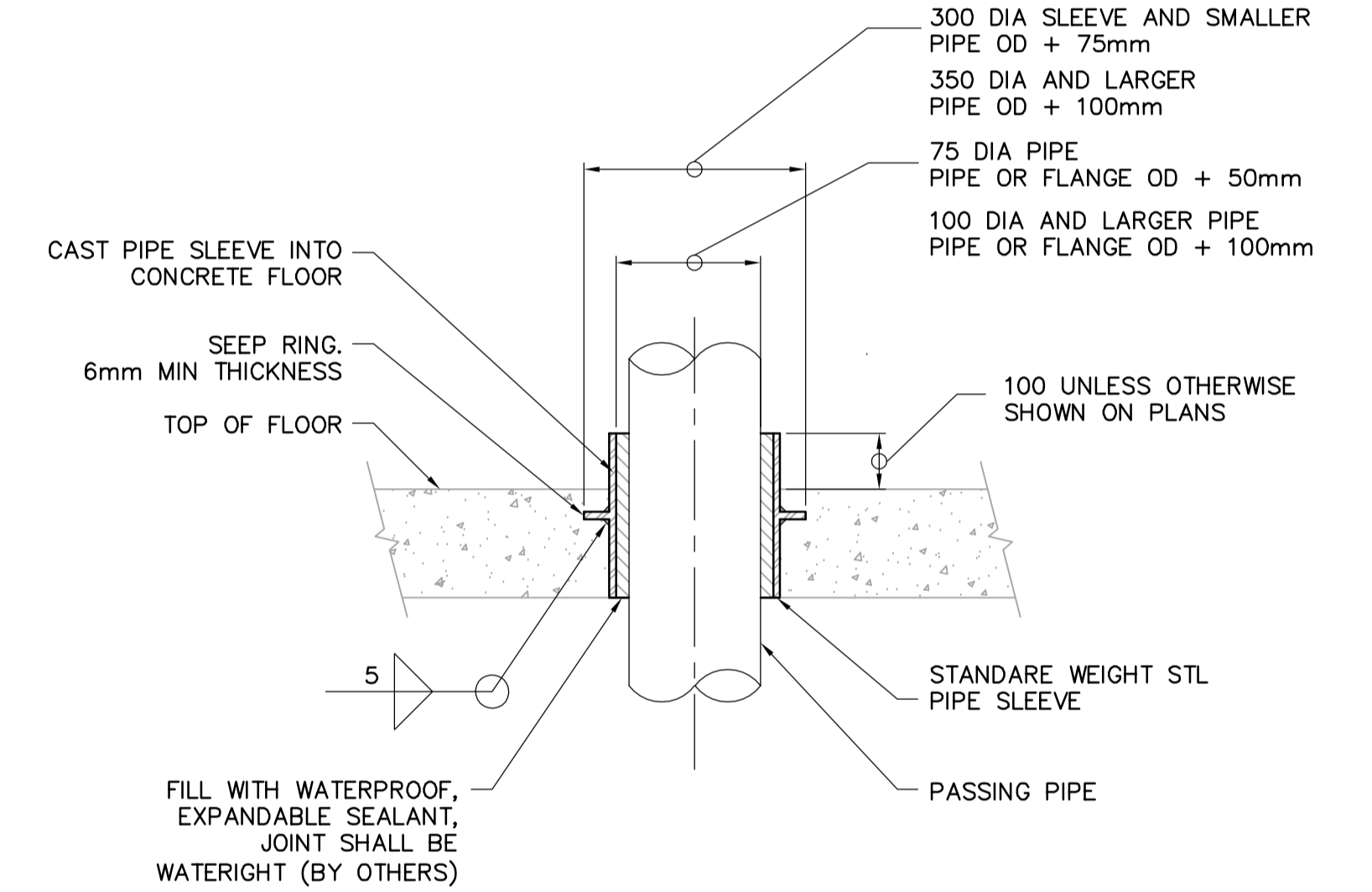


**APPLICATION NOTES:**  
 1. INSULATED PIPE  
 2. DO NOT PROVIDE SUPPORT TO PIPE THROUGH THIS WALL PENETRATION.

**8 WALL PENETRATION NO. 8**  
 - N.T.S.



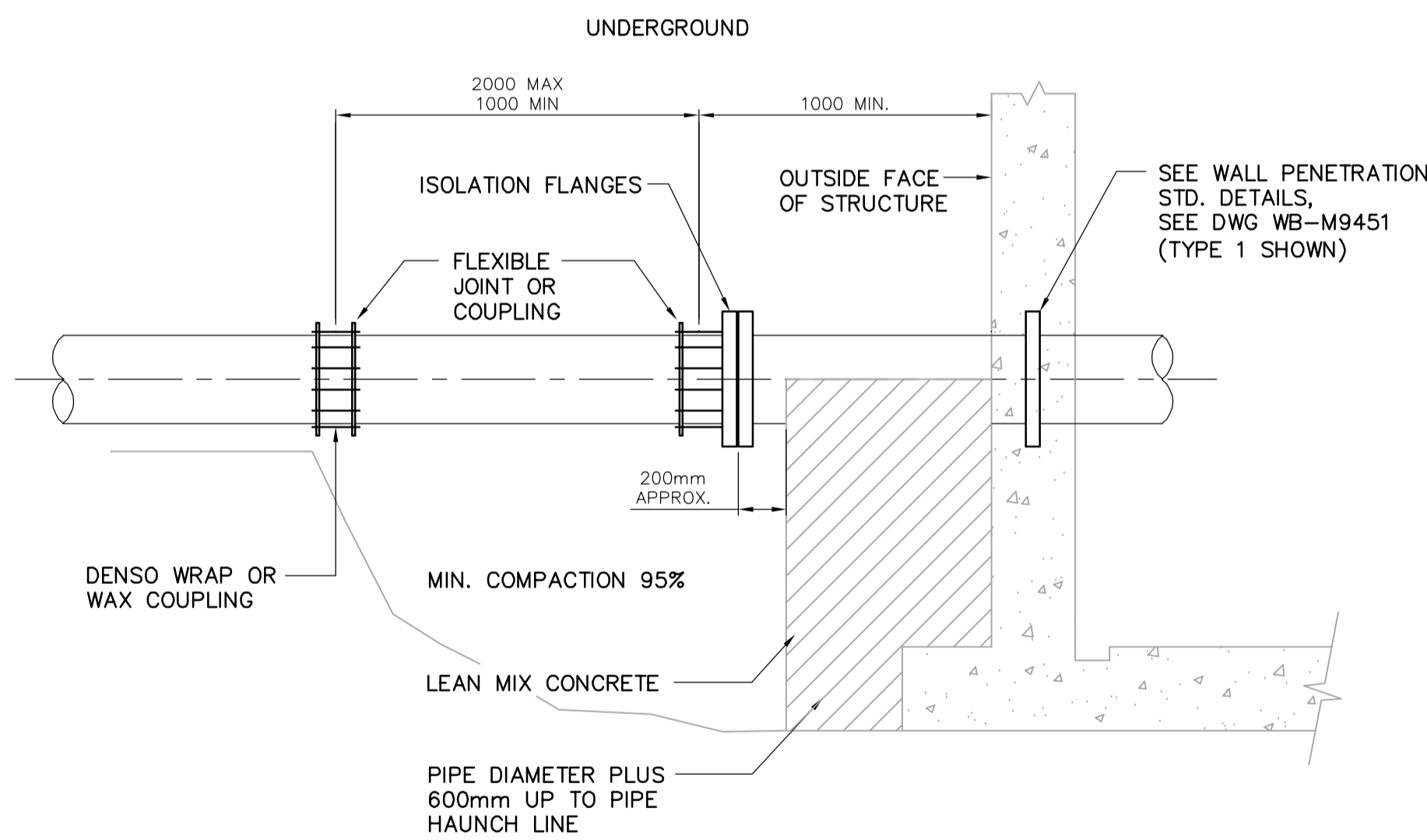
**WALL SLEEVE**



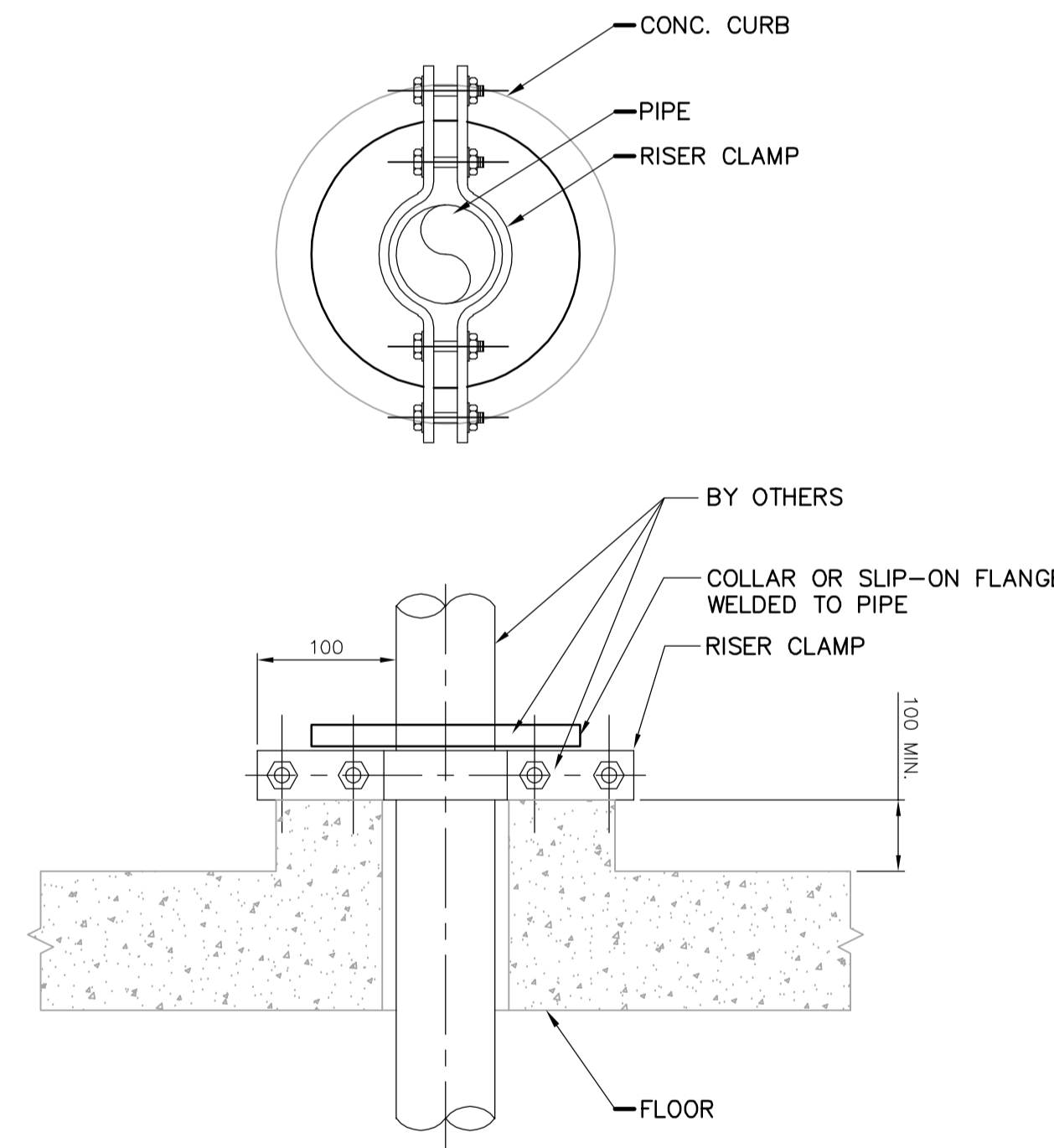
**FLOOR SLEEVE**

**NOTES:**  
 1. COAT SLEEVE WITH SPECIFIED PAINT SYSTEM BEFORE CONCRETE PLACEMENT HOT DIP GALVANIZE IF NO COATING IS SPECIFIED.  
 2. PROVIDE WATERPROOF FIRE STOPPING FOR FIRE RATED FLOOR/WALL CONDITION.  
 3. SEE ARCHITECTURAL DRAWINGS FOR THE TYPE OF FIRE SEPARATION.  
 4. DO NOT USE WHERE SUBJECT TO HYDROSTATIC PRESSURE.  
 5. SLEEVE SIZE AS SHOWN HERE UNLESS OTHERWISE SHOWN IN EMBEDMENT SCHEDULE.

**9 WALL AND FLOOR SLEEVE**  
 - N.T.S.



**10 CONNECTION TO STRUCTURE UNDERGROUND PIPE**  
 - N.T.S.



**11 VERTICAL FLOOR PENETRATION SUPPORT**  
 - N.T.S.

<p><b>APEGN</b>                  Certificate of Authorization                  CH2M HILL Canada Ltd.                  No. 1441 Expiry: April 30, 2006</p>	B.M. ELEV.	<p>Frederickson Cooper                  ARCHITECTS</p>	<p>EarthTech                  A Tyco International Ltd. Company</p>	ENGINEER'S SEAL	<p><b>THE CITY OF WINNIPEG</b>                  WATER AND WASTE DEPARTMENT                  ENGINEERING DIVISION</p>	
	DESIGNED BY DKC			CHECKED BY DL		ORIGINAL SIGNED BY P. WOBMA
	DRAWN BY EK			APPROVED BY AHL		2006/03/29
	SCALE: NONE			RELEASED FOR CONSTRUCTION BY: R. SOROKOWSKI		CONSULTANT DRAWING NO. WB-M0452
00 ISSUED FOR TENDER	06/03/29 DKC	2005/09/12	2006/03/29		WATER TREATMENT PLANT MAIN BUILDING MECHANICAL AND ELECTRICAL PROCESS MECHANICAL STANDARD DETAILS	
NO. REVISIONS	DATE	BY	DATE		CITY FILE NUMBER SHEET OF CITY DRAWING NUMBER 1-0601B-A-M0452-001-000	