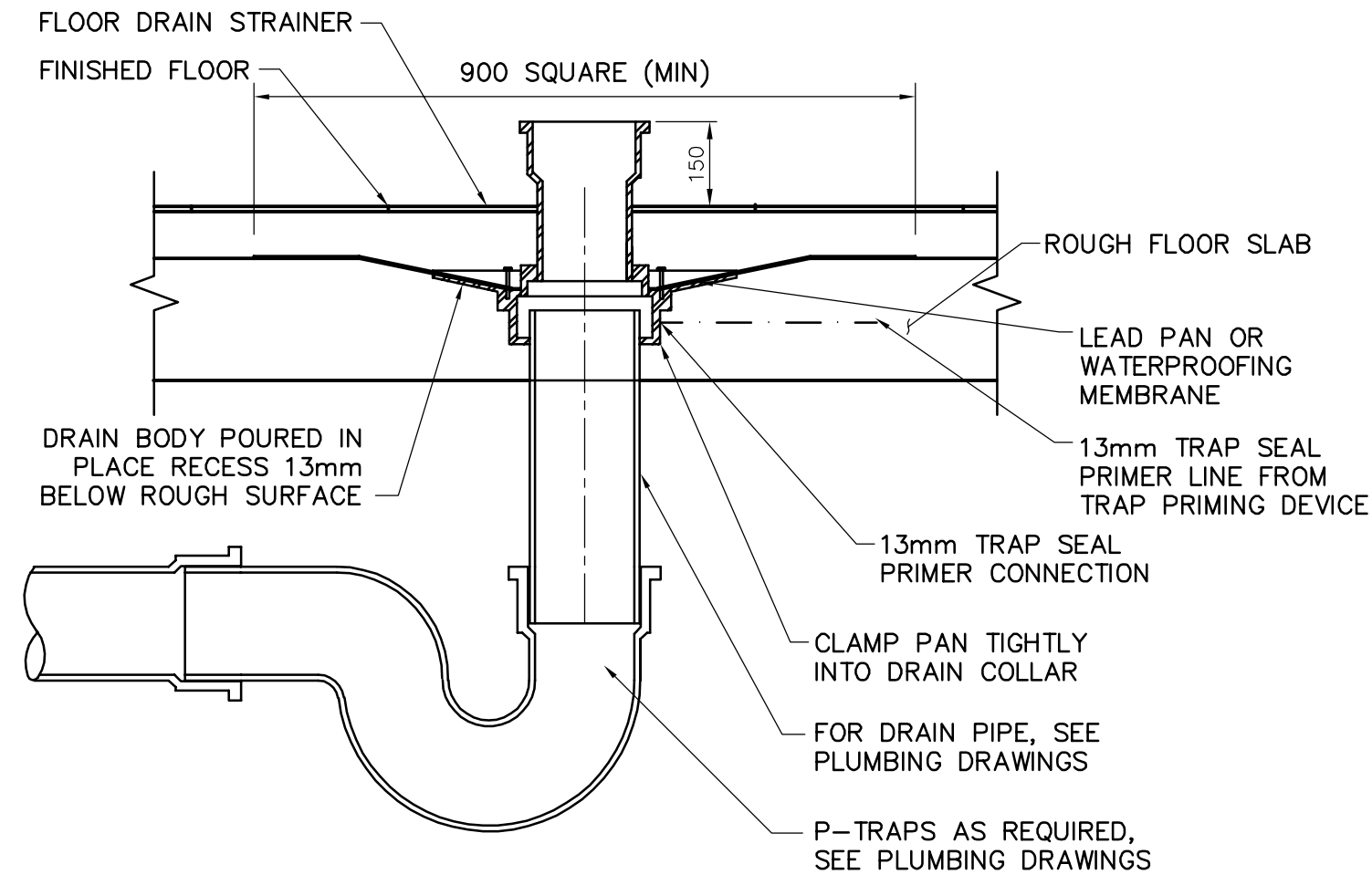


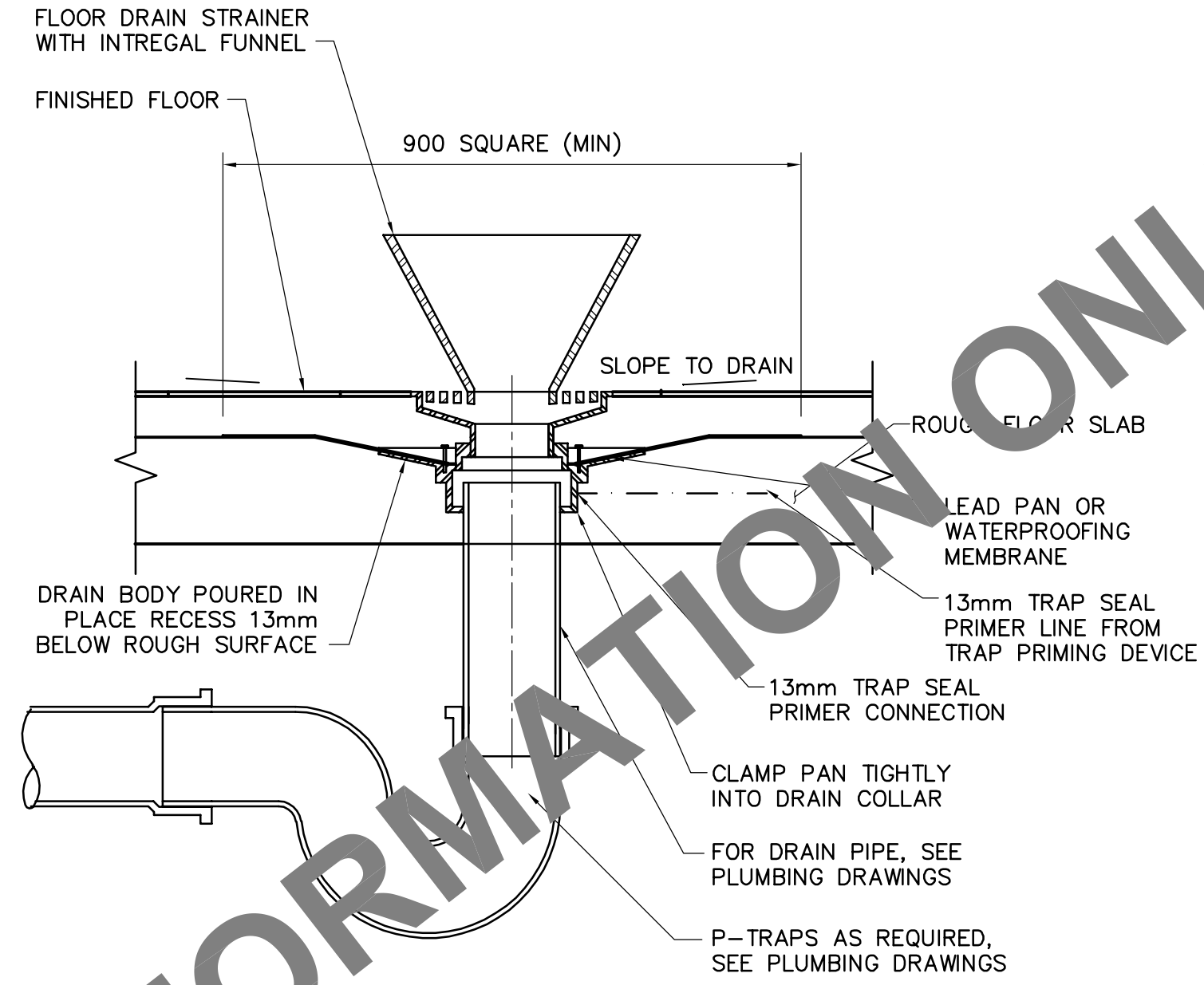
NOTE: LEAD PAN OR MEMBRANE APPLIES TO ALL SHOWER ROOMS & DRAINS ABOVE FIRST FLOOR

1 FLOOR DRAIN (FD-1) AND (FD-2)  
- N.T.S.



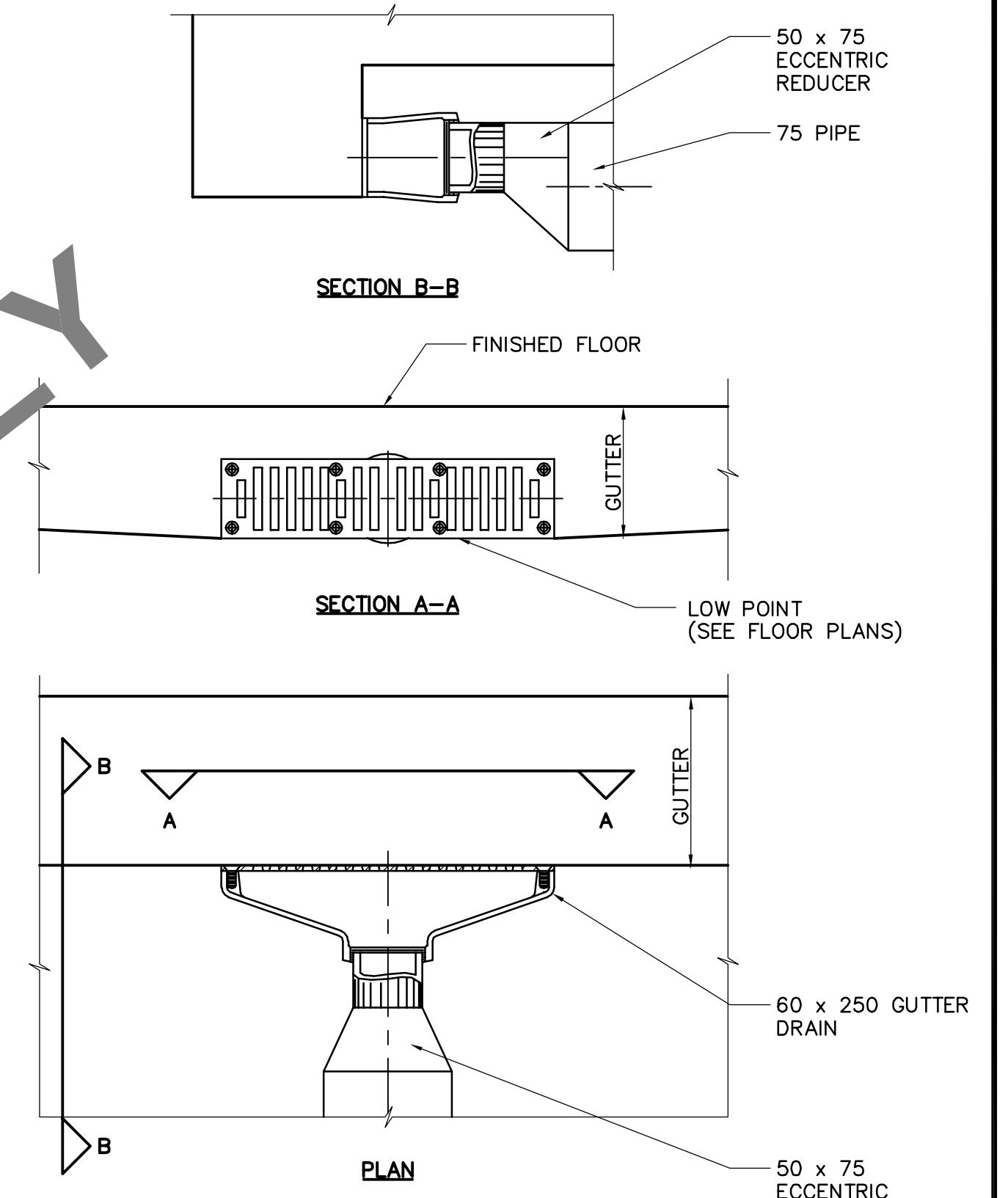
NOTE: LEAD PAN OR MEMBRANE APPLIES TO ALL SHOWER ROOMS & DRAINS ABOVE FIRST FLOOR

2 HUB DRAIN (FD-2)  
- N.T.S.

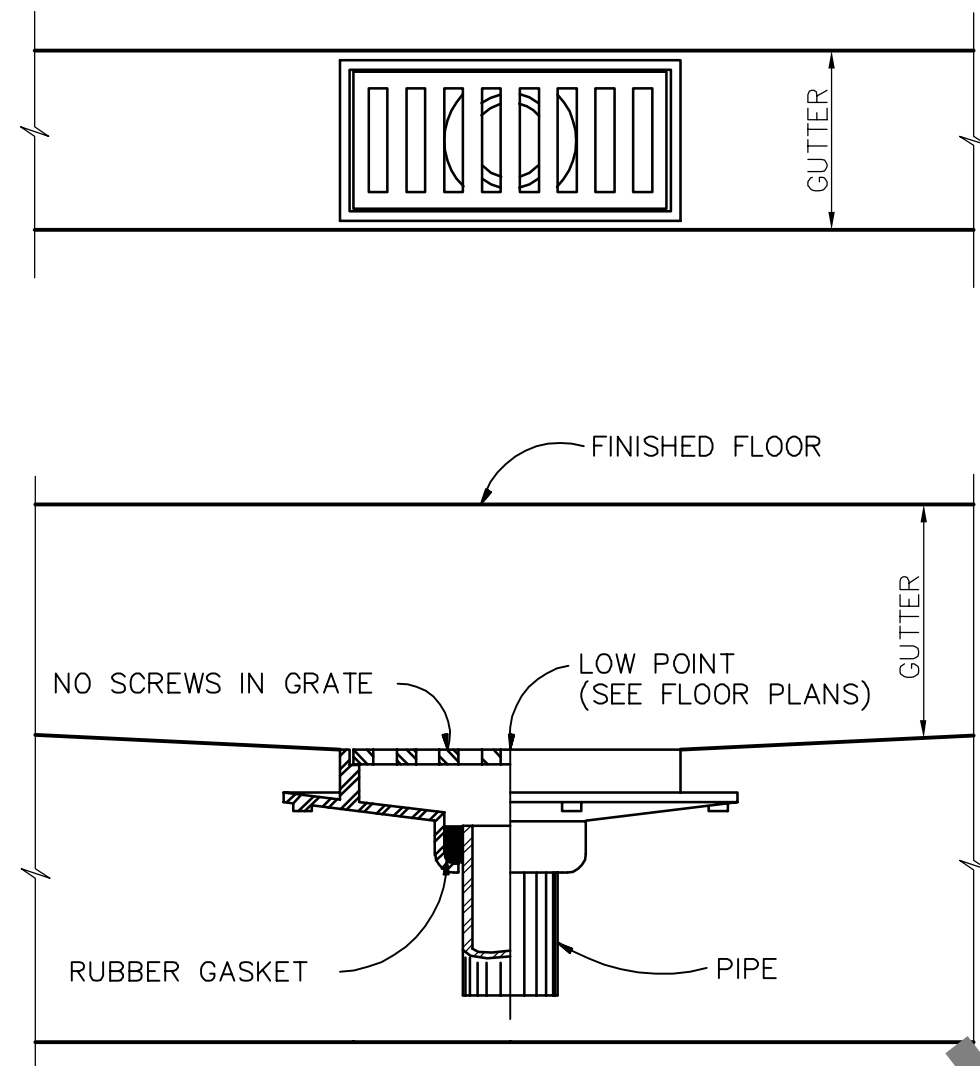


NOTE: LEAD PAN OR MEMBRANE APPLIES TO ALL SHOWER ROOMS & DRAINS ABOVE FIRST FLOOR

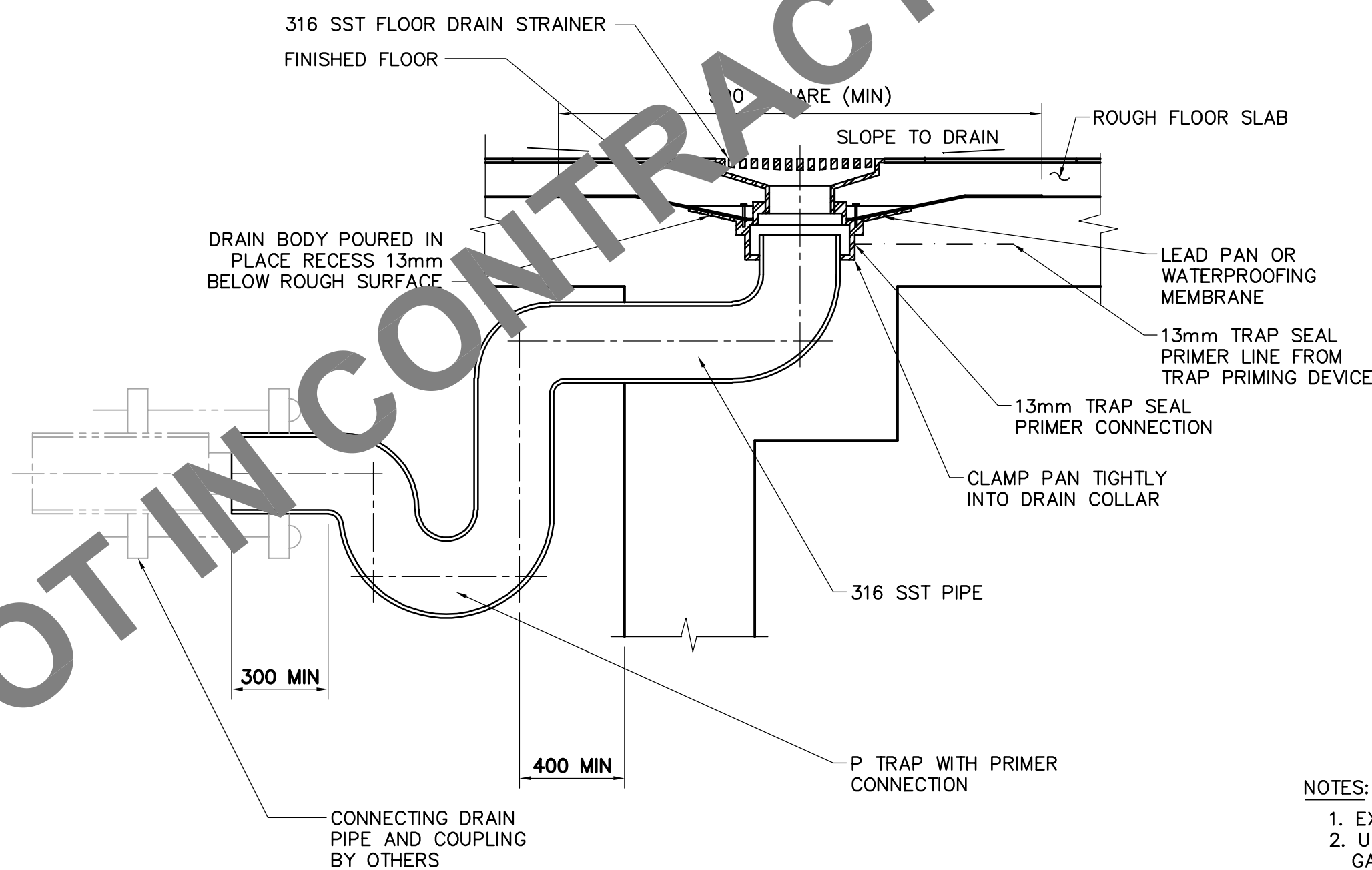
3 FLOOR DRAIN W/ FUNNEL (FD-3)  
- N.T.S.



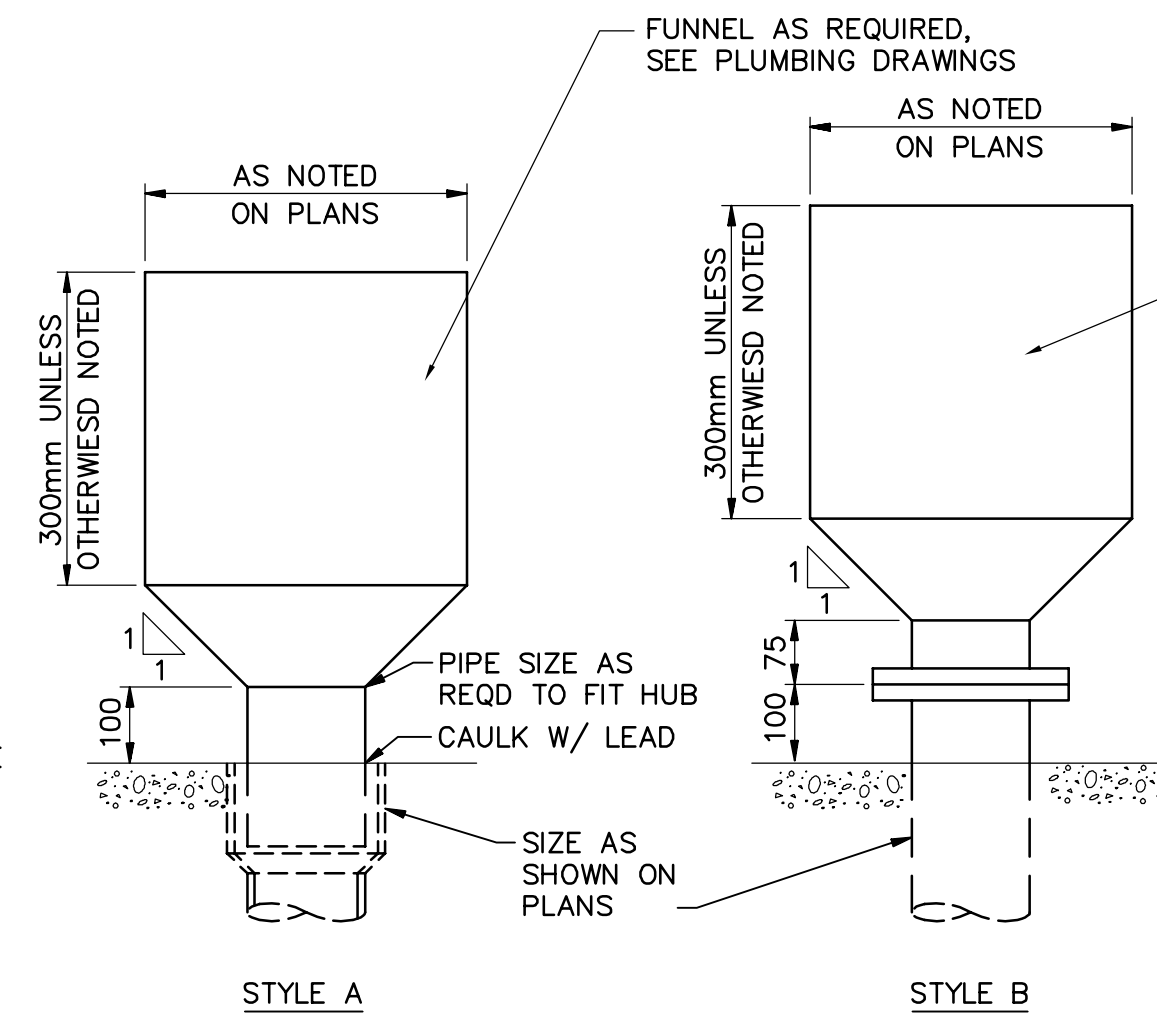
4 GUTTER DRAIN (FD-4)  
- N.T.S.



5 GUTTER DRAIN (FD-5)  
- N.T.S.

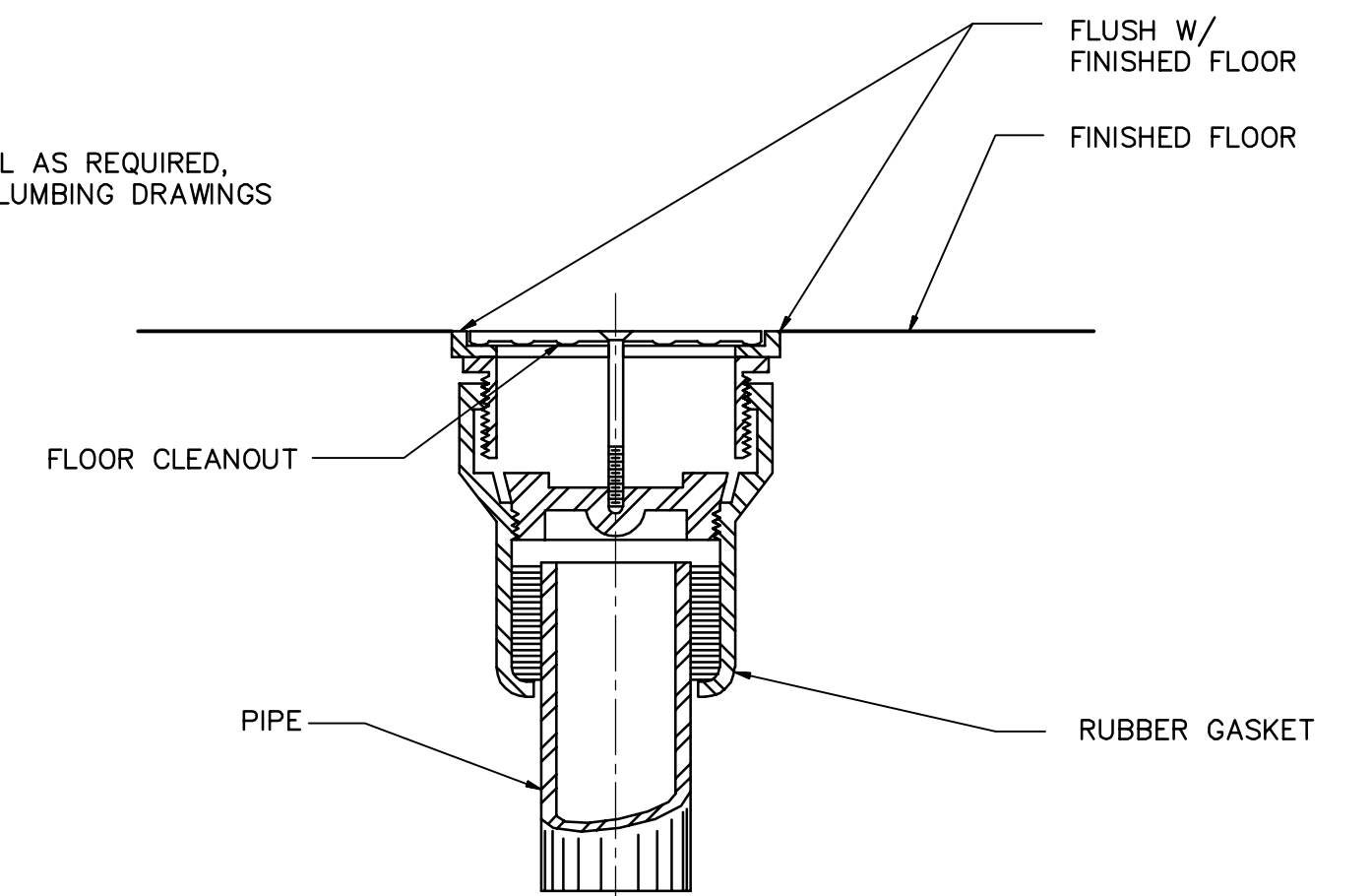


6 OZONE ROOM FLOOR DRAIN (FD-6)  
- N.T.S.



NOTES:  
1. EXTEND DRAINAGE PIPES INTO FUNNEL UNLESS OTHERWISE NOTED.  
2. UNLESS SHOWN OTHERWISE, FABRICATE FUNNEL FROM SCHEDULE 10 STEEL PIPE. HOT DIP GALVANIZE AFTER FABRICATION.

7 FUNNEL DRAIN (FD-7)  
- N.T.S.



8 FLOOR CLEANOUT (CO)  
- N.T.S.

NOT IN CONTRACT - FOR INFORMATION ONLY

 <b>APEGN</b> Certificate of Authorization CH2M HILL Canada Ltd. No. 1441 Expiry: April 30, 2006	 Frederickson Cooper ARCHITECTS	 A 100 International Ltd. Company	ENGINEER'S SEAL  ORIGINAL SIGNED BY D.K. CUDDINGTON  2006/02/06	 <b>THE CITY OF WINNIPEG</b> WATER AND WASTE DEPARTMENT ENGINEERING DIVISION	
	DESIGNED BY: JZ/SW DRAWN BY: JMcP SCALE: NTS	CHECKED BY: DL APPROVED BY: DJT RELEASED FOR CONSTRUCTION BY: R. SOROKOWSKI	CONSULTANT DRAWING NO. WB-H9451	WATER TREATMENT PLANT FOUNDATIONS AND CONCRETE STRUCTURES PLUMBING STANDARD DETAILS	CITY FILE NUMBER SHEET OF CITY DRAWING NUMBER <b>1-060B-A-H9451-001-00D</b>
	00 ISSUED FOR TENDER 2006/02/03 SW NO. REVISIONS DATE BY	DATE 2005/08/02 DATE 2006/02/08			