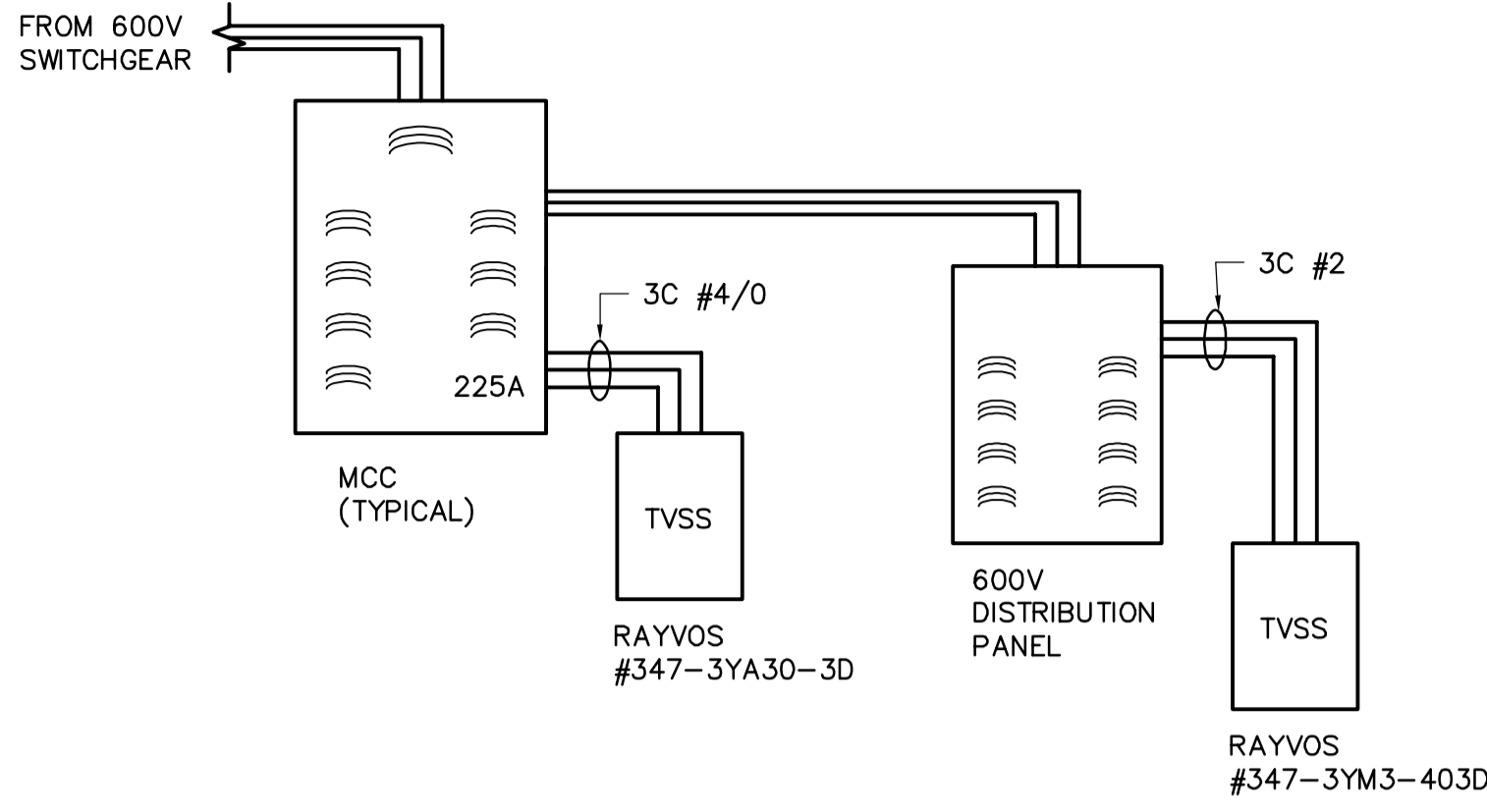
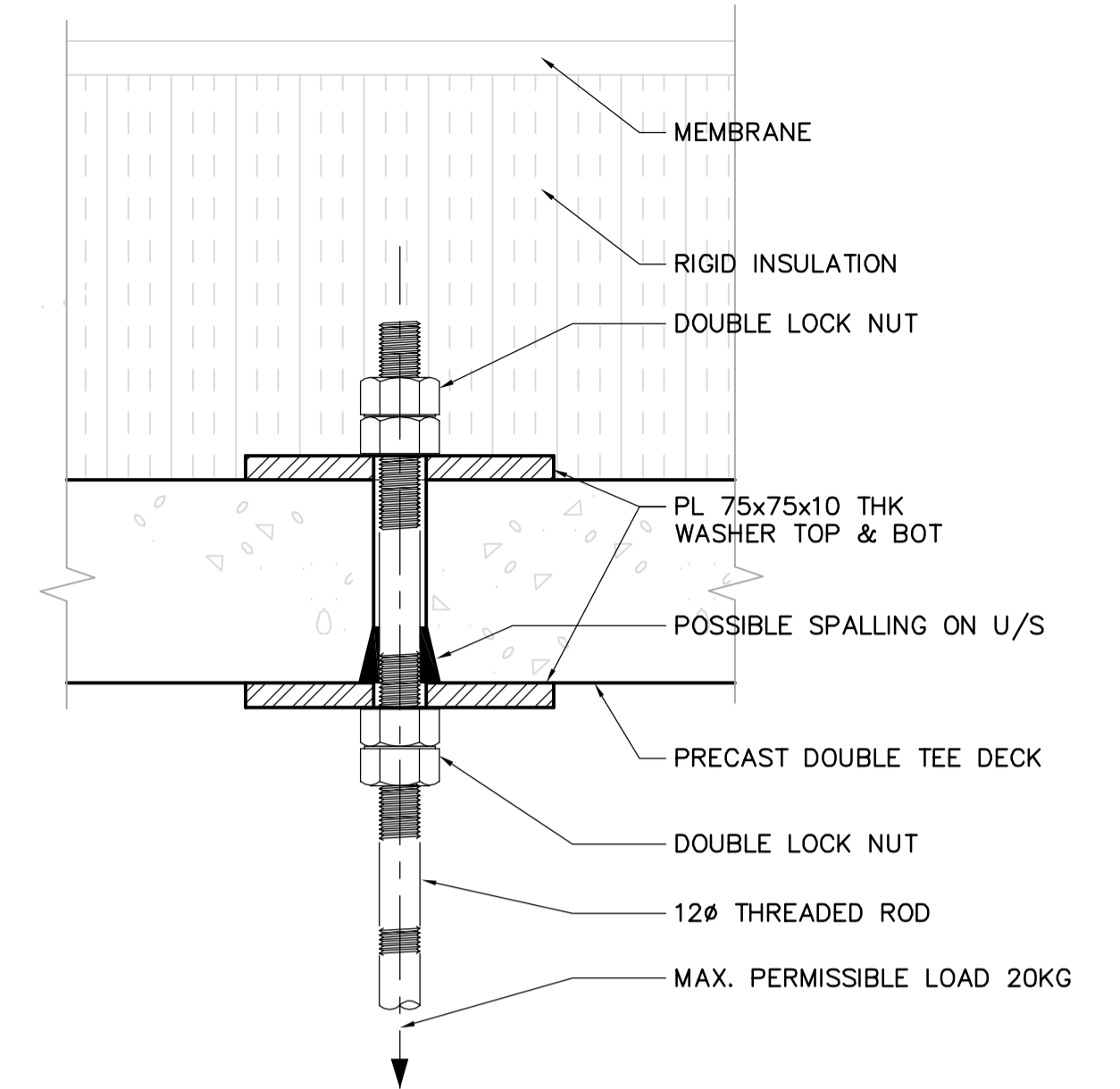


- NOTES**
- BEFORE BOLTING, CLEAN THE CONNECTING SURFACES AND APPLY BURNDY PENETROX COMPOUND "A" TO BOTH SURFACES.
 - BARE COPPER CONNECTIONS SHALL BE COATED WITH SILICONE
 - CONNECTOR SHALL BE PLACED TO AVOID CABLE PULLING SPACE.

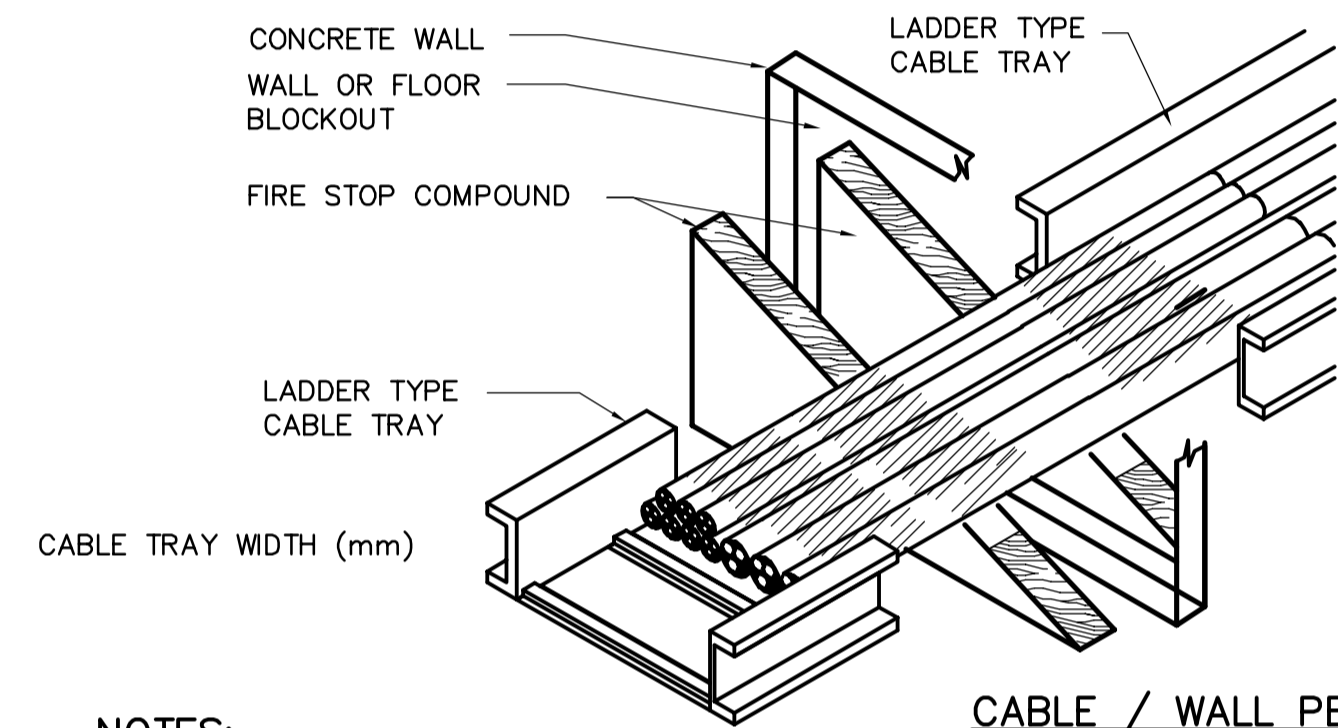
1 CABLE TRAY GROUNDING DETAIL
N.T.S.



4 TVSS TYPICAL INSTALLATION DETAIL
N.T.S.

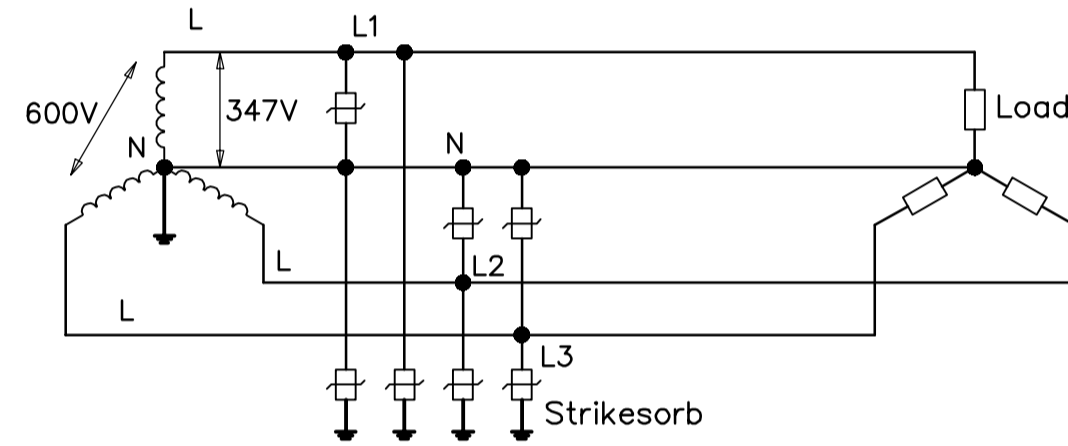


7 HANGER IN DOUBLE TEE
DETAIL
N.T.S.

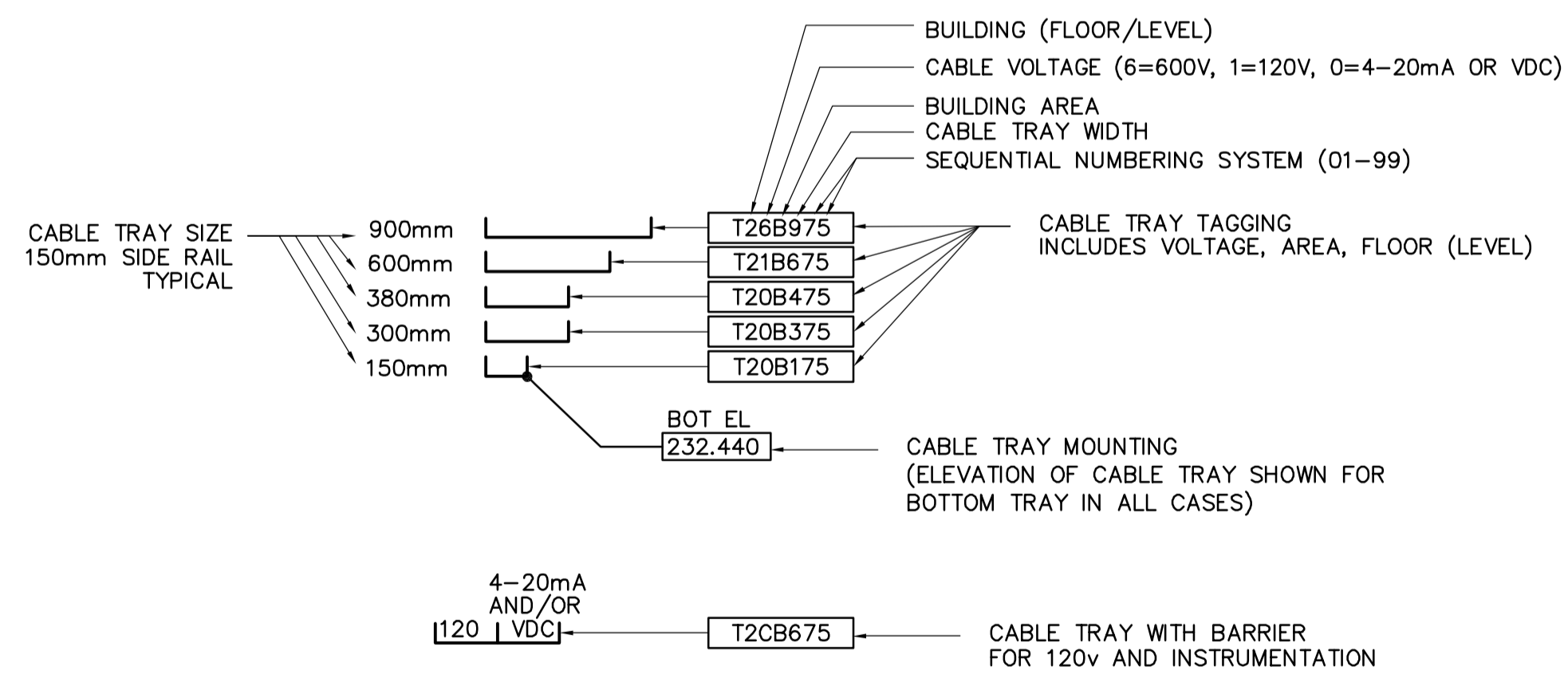


- NOTES:**
- APPLY FIRE RESISTANT COATING TO BOTH INSIDE AND OUTSIDE OF WALL AND TO THE TRAY ALSO.
 - ALL COMPONENTS OF A ULC APPROVED FIRE STOP SYSTEM TO BE INSTALLED PER MANUFACTURERS' INSTRUCTIONS FOR SPECIFIED FIRE RATING.
 - FIRE STOP MATERIALS & INSTALLATION TO BE DONE BY OTHERS.

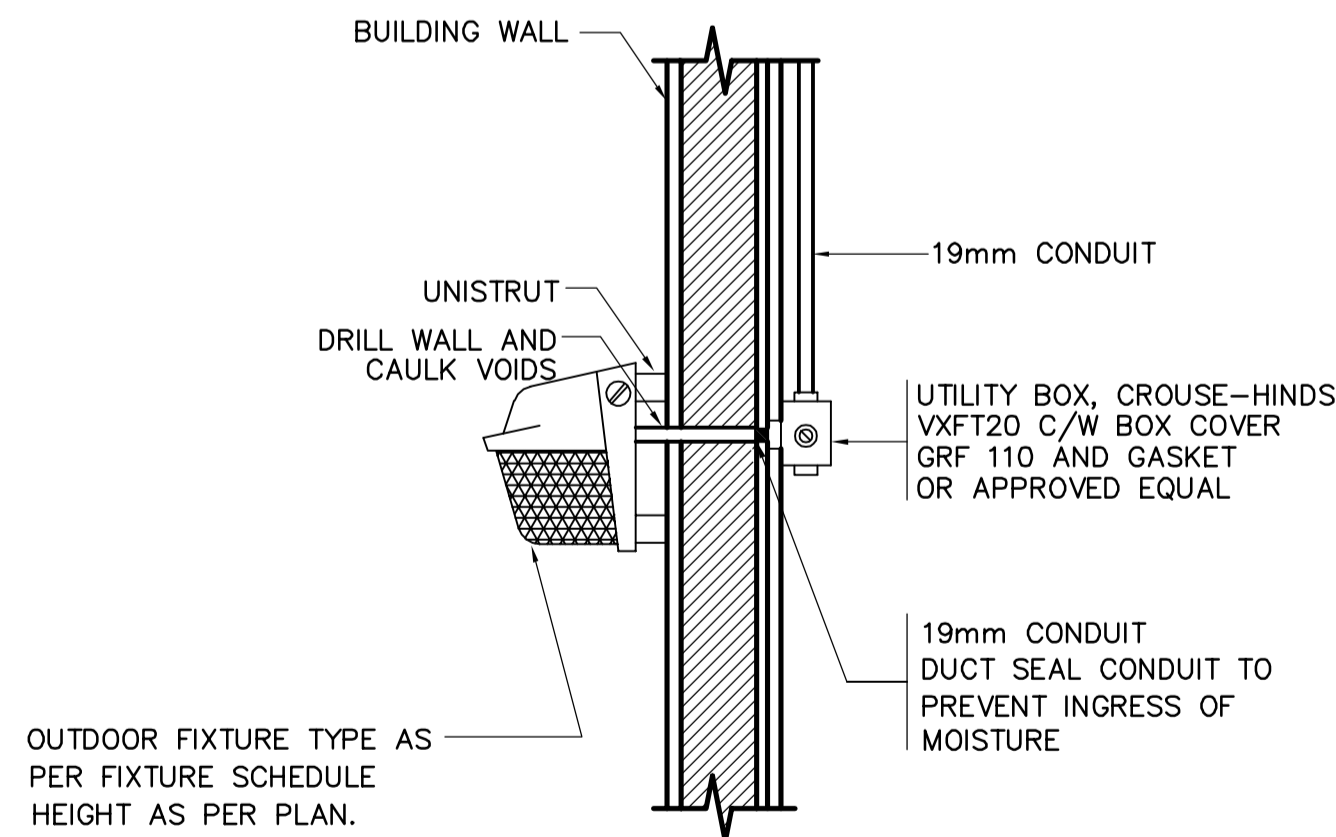
2 CABLE TRAY WALL PENETRATION DETAIL
N.T.S.



5 TYPICAL TVSS CONNECTION WIRING DETAIL
N.T.S.



3 CABLE TRAY TAGGING DETAIL
N.T.S.



6 EXTERIOR LIGHT MOUNTING DETAIL
N.T.S.

<p>Certificate of Authorization CH2M HILL Canada Ltd. No. 1441 Expiry: April 30, 2006</p>	<p>B.M. ELEV.</p>	<p>Frederickson Cooper ARCHITECTS</p>	<p>EarthTech A Tyco International Ltd. Company</p>	<p>ENGINEER'S SEAL</p> <p>ORIGINAL SIGNED BY L.D. LLÉWELLYN</p> <p>2006/03/29</p>	<p>THE CITY OF WINNIPEG WATER AND WASTE DEPARTMENT ENGINEERING DIVISION</p>
	<p>00 ISSUED FOR TENDER 06/03/29 LL</p> <p>NO. REVISIONS DATE BY</p>	<p>DESIGNED BY LL</p> <p>CHECKED BY ND</p> <p>DRAWN BY TL</p> <p>APPROVED BY AHL</p> <p>SCALE: NTS</p> <p>RELEASED FOR CONSTRUCTION BY: R. SOROKOWSKI</p> <p>2006/03/02</p>	<p>CONSULTANT DRAWING NO. WB-E0455</p>	<p>WATER TREATMENT PLANT MAIN BUILDING MECHANICAL AND ELECTRICAL</p> <p>ELECTRICAL</p> <p>STANDARD DETAILS</p>	<p>CITY FILE NUMBER</p> <p>SHEET OF</p> <p>CITY DRAWING NUMBER 1-0601B-A-E0455-001-000</p>