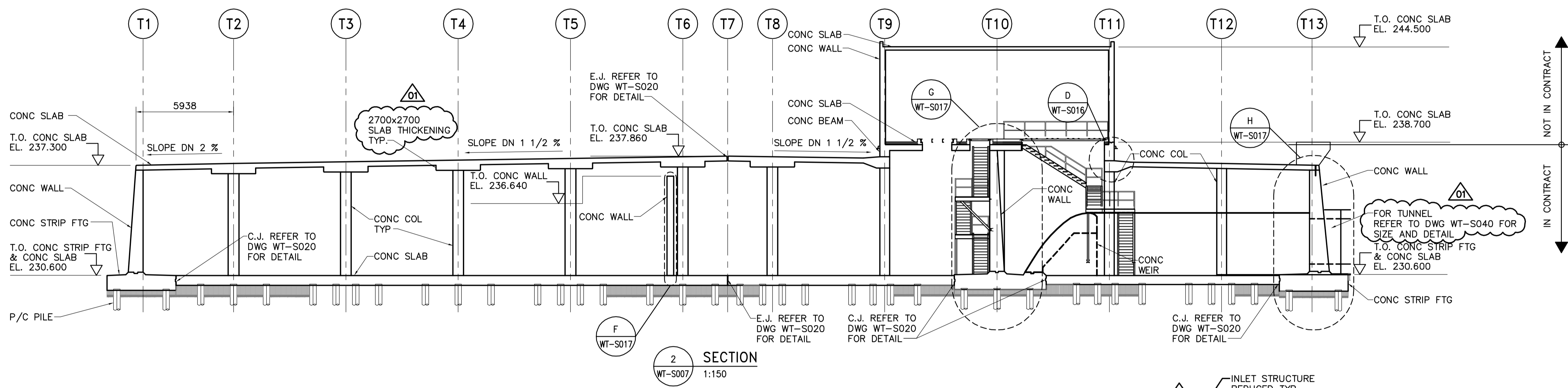
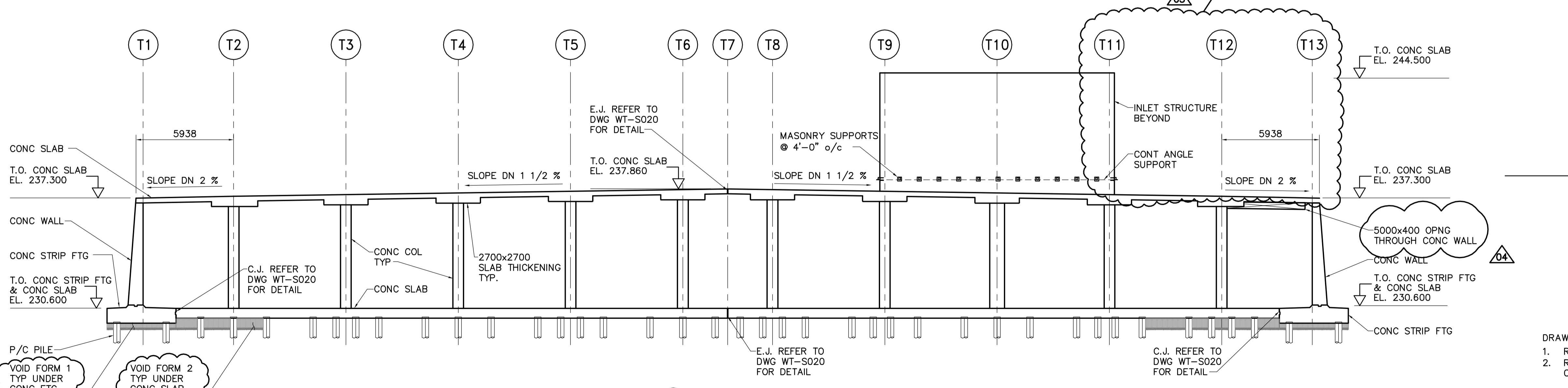


1 SECTION
WT-5007 1:150



2 SECTION
WT-5007 1:150



3 SECTION
WT-5007 1:150

DRAWING NOTES:
1. REFER TO DRAWING WT-S001 FOR GENERAL NOTES.
2. REFER TO DRAWING WT-S020 FOR EXPANSION AND CONSTRUCTION JOINT DETAILS.

APECA
Certificate of Authorization
Earth Tech Canada Inc.
No. 730 Expiry: April 30, 2006

NO.	REVISIONS	DATE	BY
04	VENT OPENING SIZE	05/12/21	GGP
03	GENERAL REVISIONS	05/07/25	C.T.
02	ISSUED FOR CONSTRUCTION	05/06/08	C.T.
01	166-2005 ADDENDUM 1	05/05/06	C.T.
00	ISSUED FOR TENDER	05/04/17	C.T.

CH2M HILL
Frederickson Cooper ARCHITECTS

EarthTech
A Tyco International Ltd. Company

DESIGNED BY: FK
CHECKED BY: MK
DRAWN BY: C.T.
APPROVED BY: AHL
SCALE: AS NOTED
RELEASED FOR CONSTRUCTION BY: R. SOROKOWSKI

DATE: 2005/02/09
DATE: 2005-04-17

ENGINEER'S SEAL
ORIGINAL SIGNED BY: F.A. KEMP
2005/04/17
CONSULTANT DRAWING NO.: WT-S014

THE CITY OF WINNIPEG
WATER AND WASTE DEPARTMENT
ENGINEERING DIVISION

WATER TREATMENT PLANT

STRUCTURAL BUILDING SECTIONS

CITY FILE NUMBER
SHEET OF
CITY DRAWING NUMBER
1-060T-A-S0014-001-04D