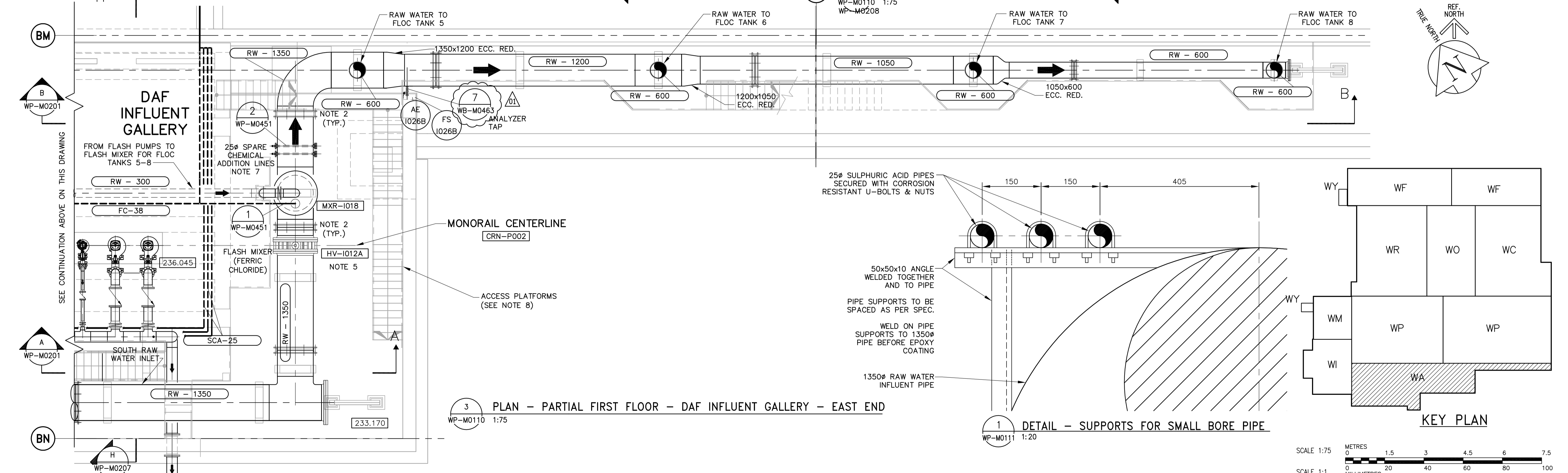
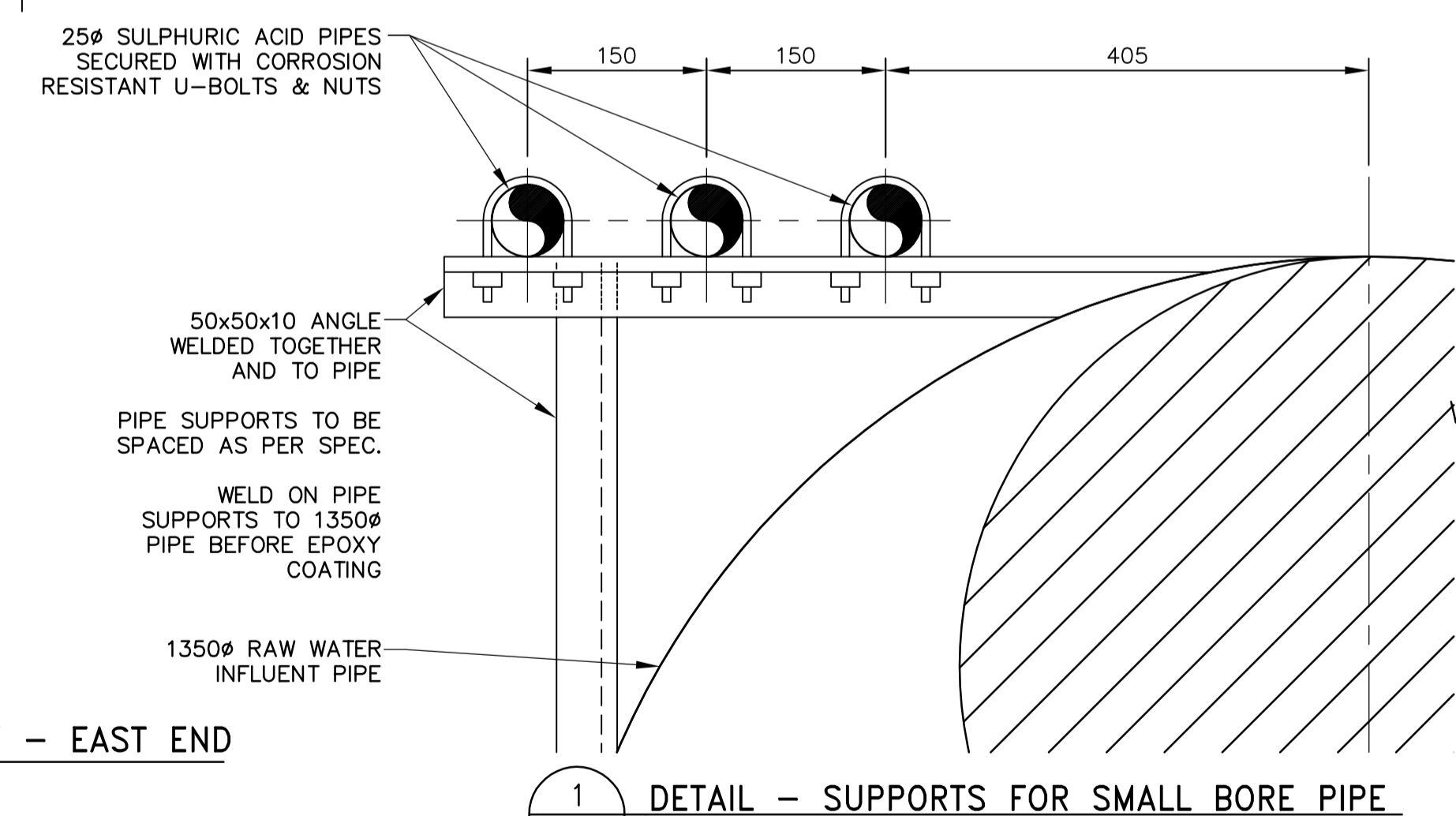


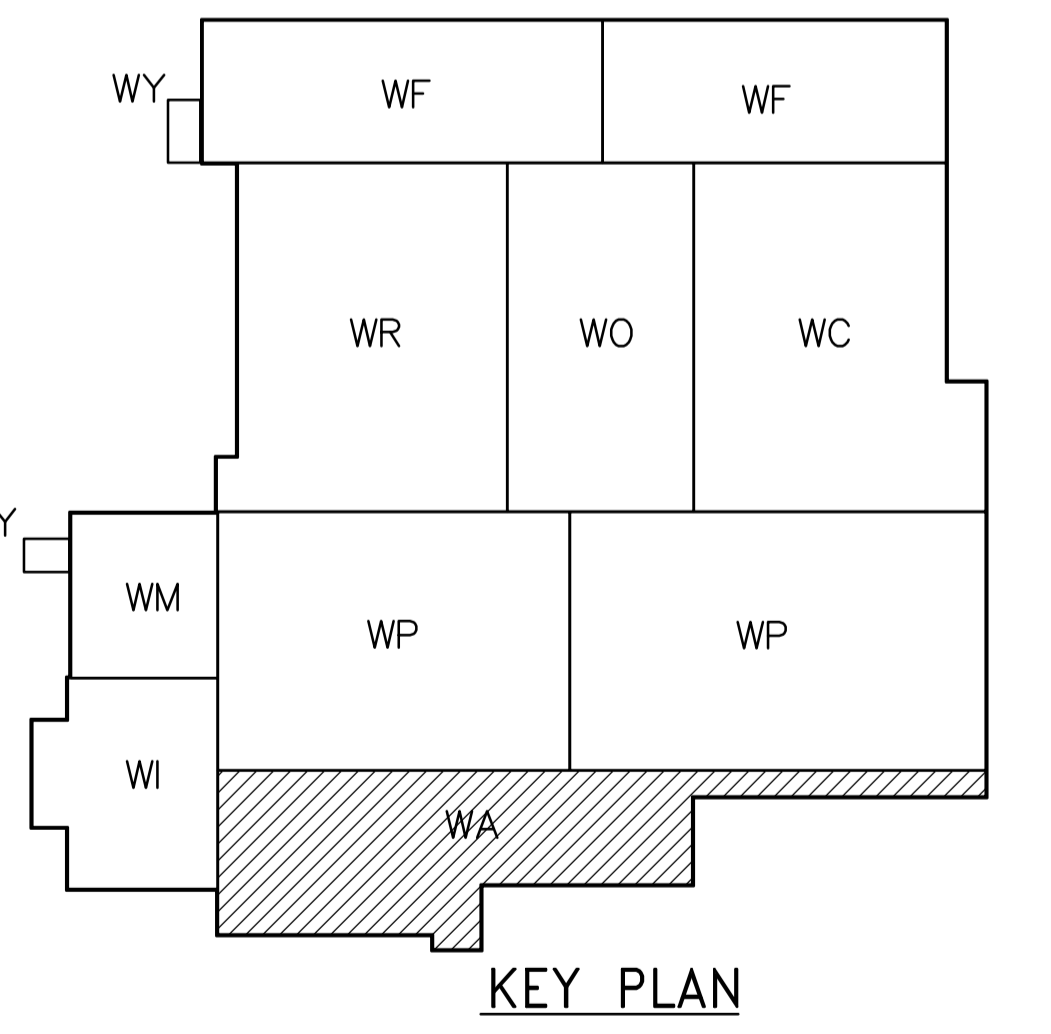
2 PLAN - PARTIAL FIRST FLOOR DAF INFLUENT GALLERY - WEST END
WP-M0110 1:75
WP-M0208



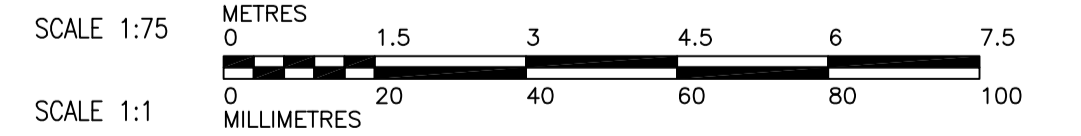
3 PLAN - PARTIAL FIRST FLOOR - DAF INFLUENT GALLERY - EAST END
WP-M0110 1:75



1 DETAIL - SUPPORTS FOR SMALL BORE PIPE
WP-M0111 1:20



KEY PLAN



NOTES:
 1. RUN ANALYZER SAMPLE LINES UP TO 236.67 PLATFORM AND COMBINE. LOCATE ROTAMETER, PH METER AND TURBIDITY METER ALONG HANDRAILS. REFER TO INSTRUMENTATION DRAWING FOR STANDARD INSTALLATION DETAILS. COMBINE DRAIN LINES AND RUN TO CLOSEST DRAIN OR TRENCH.
 2. PROVIDE DEPEND-O-LOK TYPE FxE COUPLING FOR ALL COUPLINGS ON THE HORIZONTAL RAW WATER PIPING LARGER THAN 400mm Ø IN THE DAF INFLUENT GALLERY.
 3. PROVIDE DEPEND-O-LOK TYPE EXE WITH AWWA M11 COUPLING HARNESS ON ALL VERTICAL RAW WATER PIPING LARGER THAN 400mm Ø IN THE DAF INFLUENT GALLERY.
 4. FOR ADDITIONAL INFORMATION ON PIPE EMBEDS, REFER TO SERIES WP-M9000 DRAWINGS.
 5. LOCATE OPERATOR ON SIDE FOR ACCESS FROM 233.17 FLOOR ELEVATION.
 6. LOCATE SULFURIC ACID AND SPARE CHEMICAL LINES INJECTION POINTS AT LEAST 2.0m DOWNSTREAM OF PH AND TURBIDITY METER SAMPLE POINTS. INJECTION LINES ON THE TWO MAIN 1350Ø PIPES SHOULD BE OFFSET TO ENSURE REMOVAL OF DIFFUSER LANCES.
 7. PROVIDE SPARE INJECTION POINTS PER DETAIL 2 ON DWG WP-M0451. SPARE DIFFUSER LANCES ARE NOT REQUIRED.
 8. TO BE SUPPLIED AND INSTALLED BY OTHERS.

APEGM
 Certificate of Authorization
 Earth Tech Canada Inc.
 No. 730 Expiry: April 30, 2006

NO.	REVISIONS	DATE	BY	DATE
01	742-2005 ADDENDUM 6	06/05/26	SRP	
00	ISSUED FOR TENDER	06/03/29	PL	

CH2M HILL
 Frederickson Cooper
 ARCHITECTS

EarthTech
 A Tyco International Ltd. Company

DESIGNED BY: KAS	CHECKED BY: SMB
DRAWN BY: P.L./LPT/LC	APPROVED BY: AHL
SCALE: 1:75	RELEASED FOR CONSTRUCTION BY: R. SOROKOWSKI
DATE: 2005/10/11	DATE: 2006/03/29

ENGINEER'S SEAL
 ORIGINAL SIGNED BY: S.M. BREESE
 2006/03/29
 CONSULTANT DRAWING NO. WP-M0111

THE CITY OF WINNIPEG
 WATER AND WASTE DEPARTMENT
 ENGINEERING DIVISION

WATER TREATMENT PLANT
 FLOCCULATION AND DAF
 MECHANICAL AND ELECTRICAL

PROCESS MECHANICAL
 FIRST FLOOR PLAN
 DAF INFLUENT GALLERY

CITY FILE NUMBER
 SHEET OF
 CITY DRAWING NUMBER
 1-0601P-A-M0111-001-010