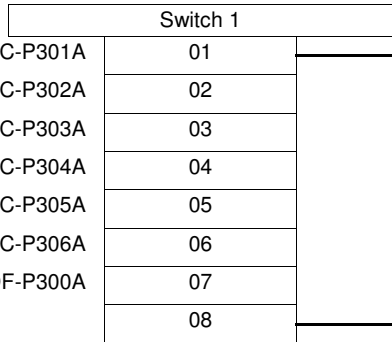


Rev.	Comments	Jumper or Internal Cable	Conductor #	Cable	Cable Information
0	Floculator FLC-P301A	RJ-45 To Floculator FLC-P301A	01		
0	Floculator FLC-P302A	RJ-45 To Floculator FLC-P302A	02		
0	Floculator FLC-P303A	RJ-45 To Floculator FLC-P303A	03		
0	Floculator FLC-P304A	RJ-45 To Floculator FLC-P304A	04		
0	Floculator FLC-P305A	RJ-45 To Floculator FLC-P305A	05		
0	Floculator FLC-P306A	RJ-45 To Floculator FLC-P306A	06		
0	Skimmer DF-P300A	RJ-45 To Skimmer DF-P300A	07		
0			08	RJ-45	C-LCP-P33-C01



NOTES: 1. Panel Supplied by the City.	B.M. ELEV.					ENGINEER'S SEAL ORIGINAL SIGNED BY S.W. TORMEY 2006/03/29		THE CITY OF WINNIPEG WATER AND WASTE DEPARTMENT ENGINEERING DIVISION		
				DESIGNED BY: SWT	CHECKED BY: SWT	WATER TREATMENT PLANT PLANT UTILITIES MECHANICAL AND ELECTRICAL				
				DRAWN BY: SWT	APPROVED BY: AHL	SHEET 52 OF 88		CITY DRAWING NUMBER		
				SCALE: NTS	RELEASED FOR CONSTRUCTION BY: R. SOROKOWSKI	AUTOMATION / I AND C PLANT COMMUNICATION CABLE TERMINATION DIAGRAMS		1-0601H-J-A0552-001-01B		
			NO. REVISIONS	DATE	BY	DATE 2006/03/29	DATE 2006/03/29	CONSULTANT DRAWING NO. WH-A0552		

