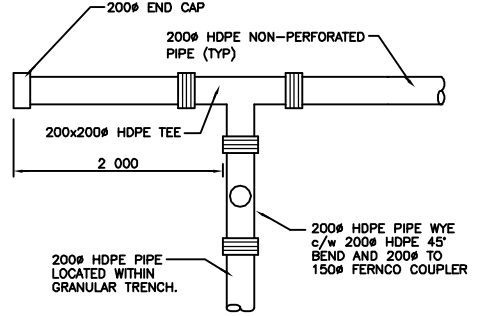
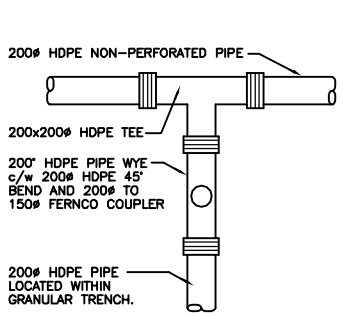


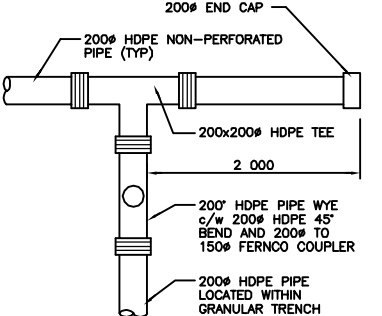
SECTION A-A
NTS



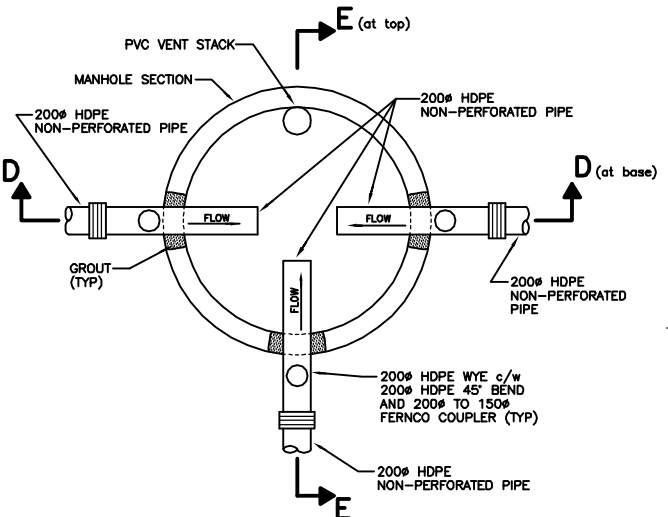
DETAIL A



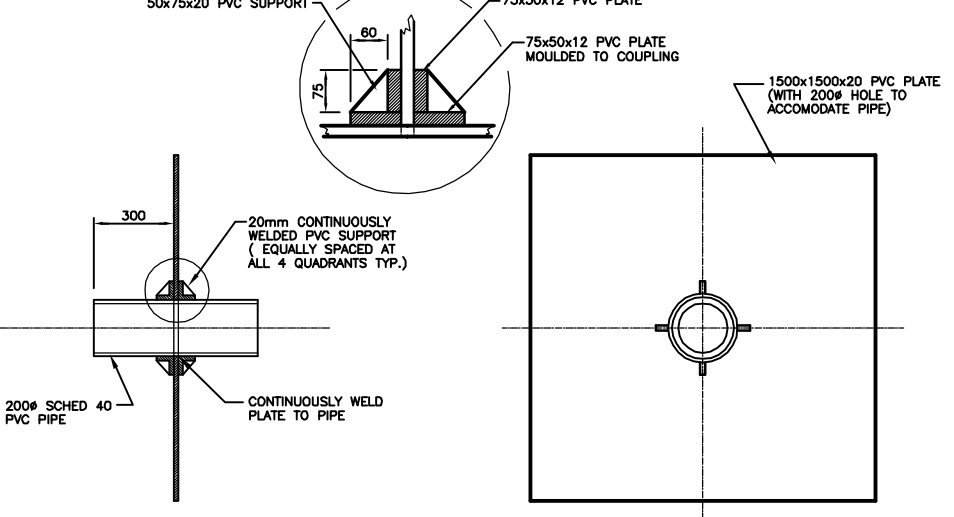
DETAIL B



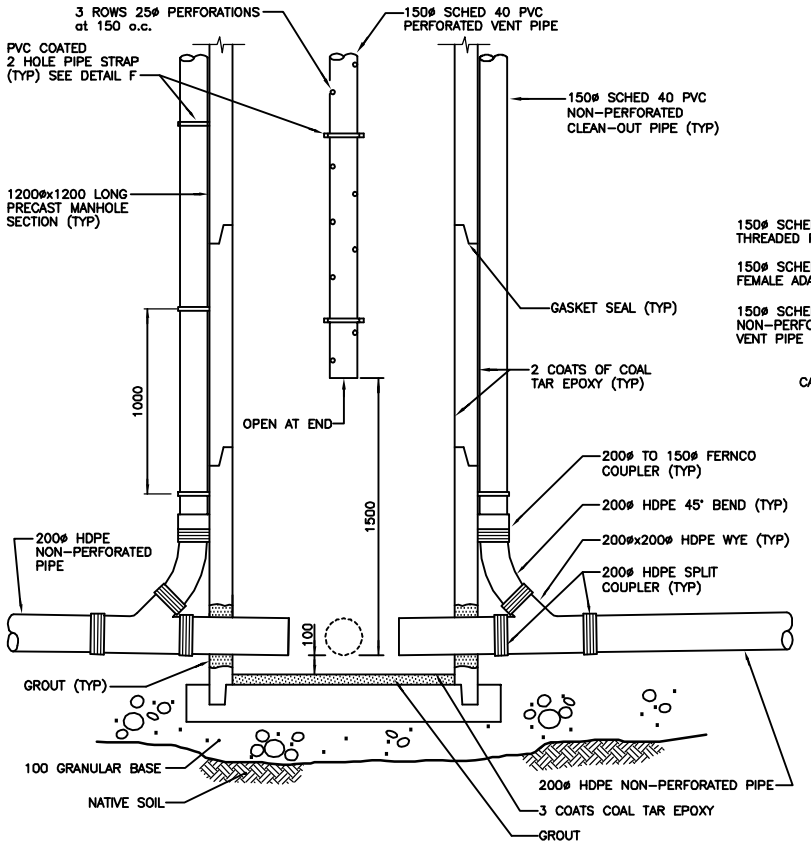
DETAIL C



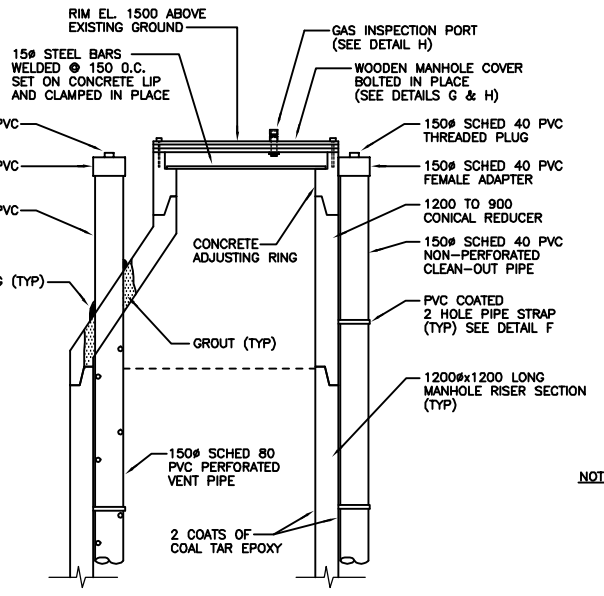
DETAIL D



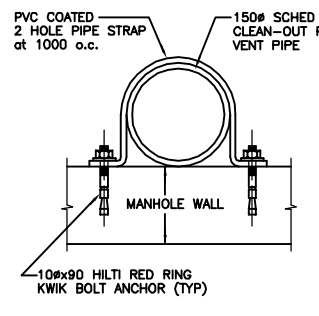
DETAIL E (ANTI-SEEPAGE DIAPHRAGM)



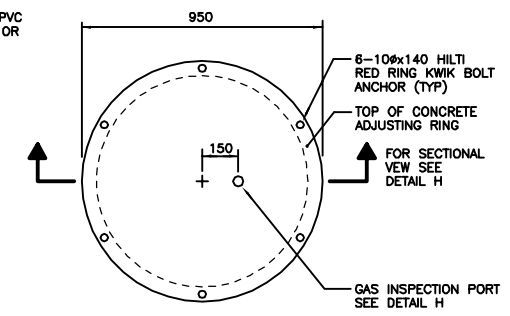
SECTION D-D



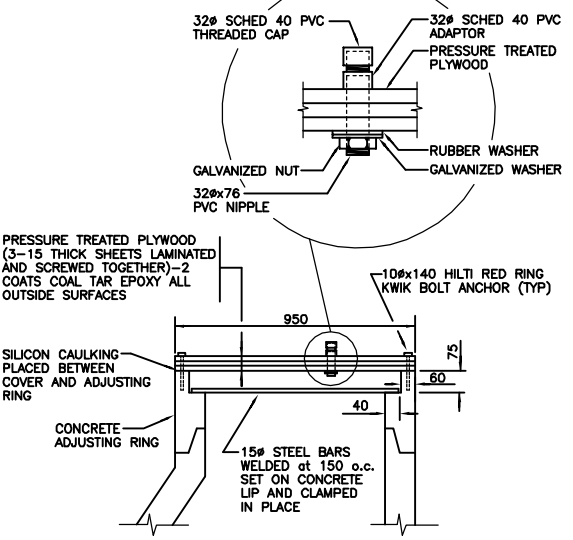
SECTION E-E



DETAIL F



DETAIL G



DETAIL H

NOTE:
- ALL PIPING - 200# BOSS 2000 (SMOOTHWALL INTERIOR - CORRUGATED EXTERIOR) PERFORATED AND NON-PERFORATED AND SPLIT COUPLERS

AS-CONSTRUCTED
CONTRACT ADMINISTRATION DRAFTING & GRAPHIC SERVICES DATE
WATER AND WASTE DEPARTMENT

Tender No. 1281-99
PROJECT COMPLETION : 1999 12 20

B.M. ELEV. _ _	CITY OF WINNIPEG WATER AND WASTE ENGINEERING DIVISION	ENGINEER'S SEAL
	DESIGNED BY DGS CHECKED BY DGS	
	DRAWN BY NC APPROVED BY	
	HOR. SCALE: N.T.S. RELEASED FOR CONSTRUCTION	
1.) REVISED TO AS-BUILT 2000-03 WKT	DATE SEPT. 16, 1999	AUTOCAD R14 FILENAME : SWD-0347.DWG PLOTE DATE : 2000 03 06

THE CITY OF WINNIPEG
WATER AND WASTE DEPARTMENT

SUMMIT ROAD LANDFILL
AREA 6 LEACHATE COLLECTION SYSTEM

CITY DRAWING NUMBER
SHEET 2 OF 3

DETAILS REV SWD-D-347