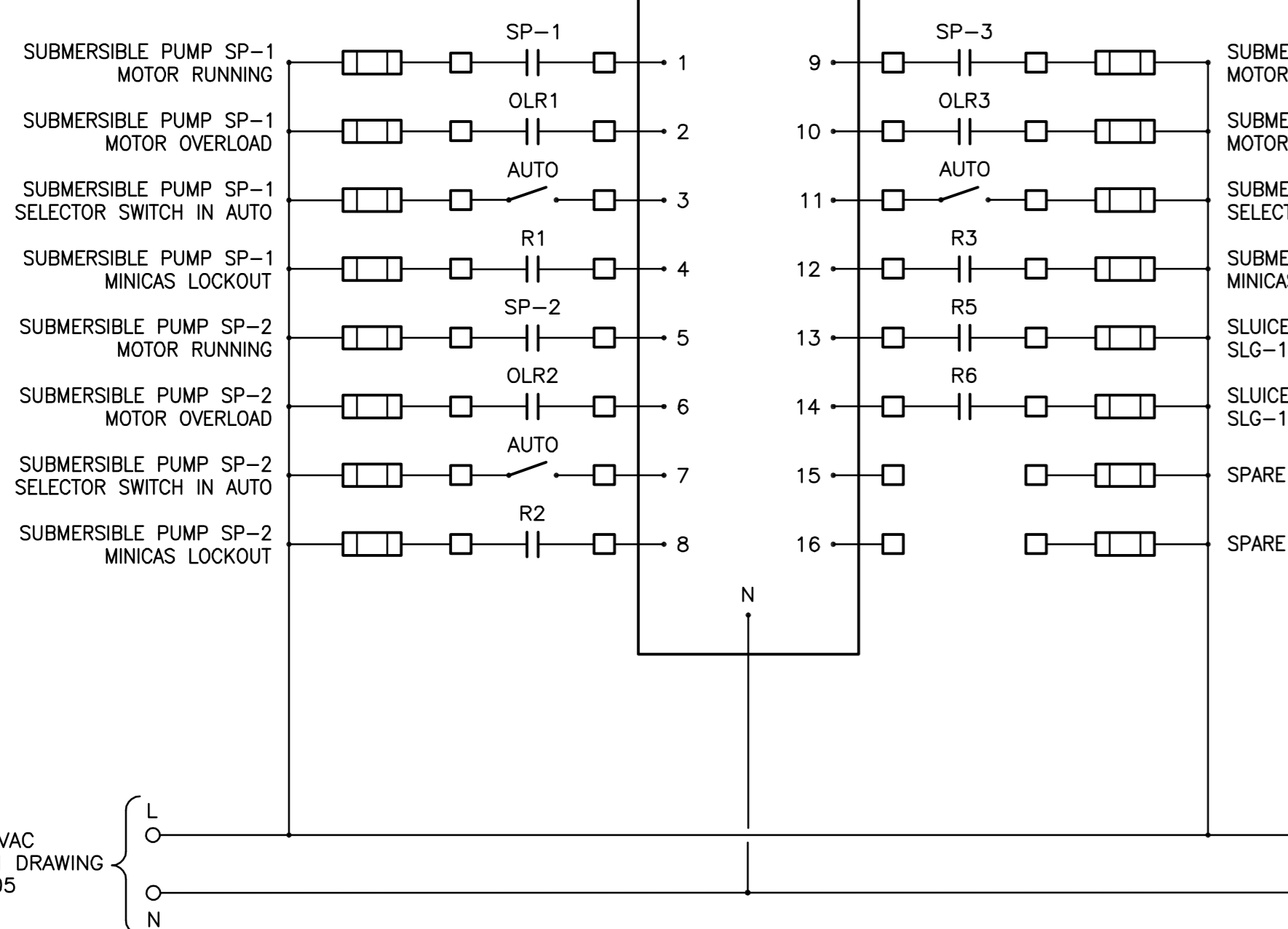
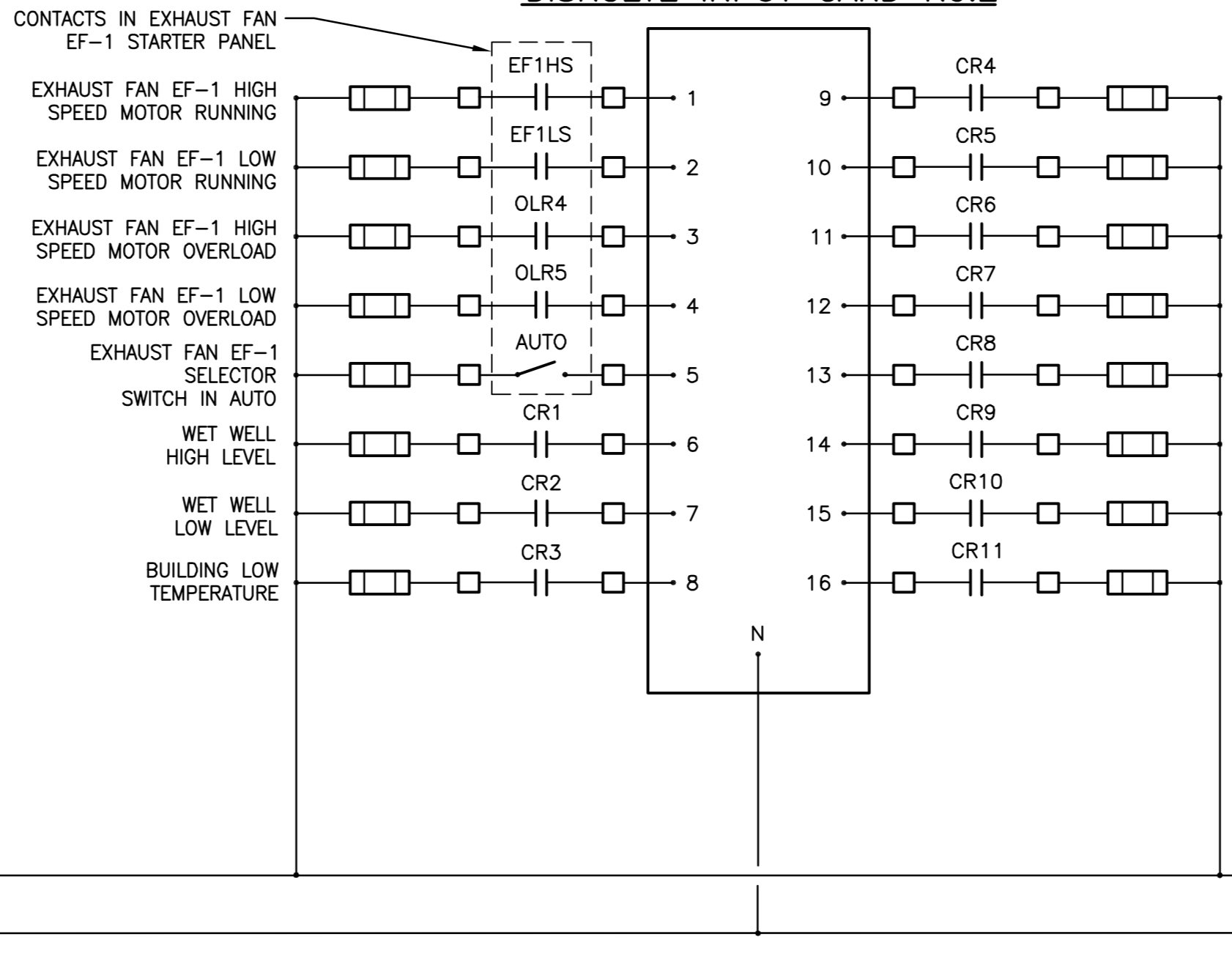


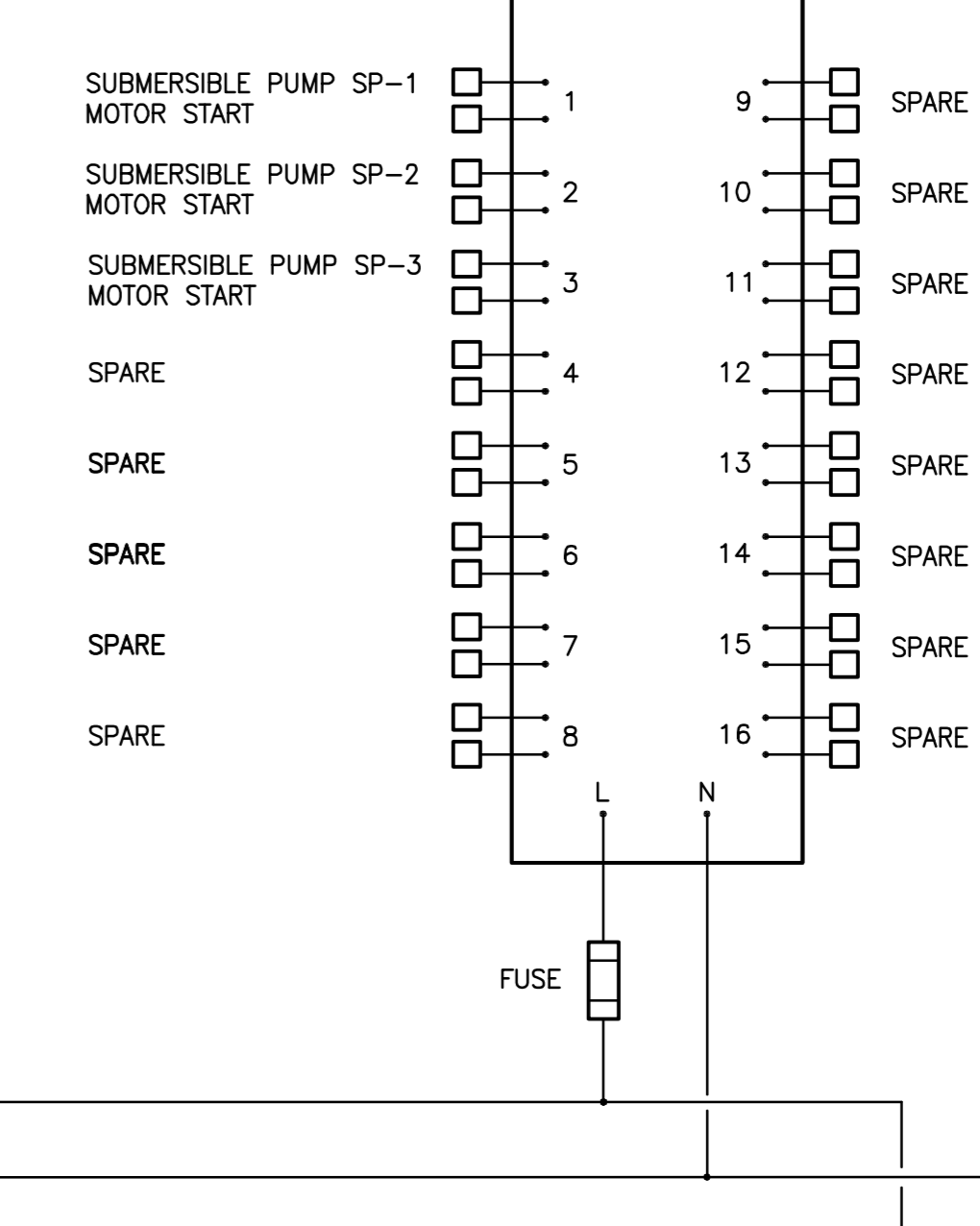
DISCRETE INPUT CARD No.1



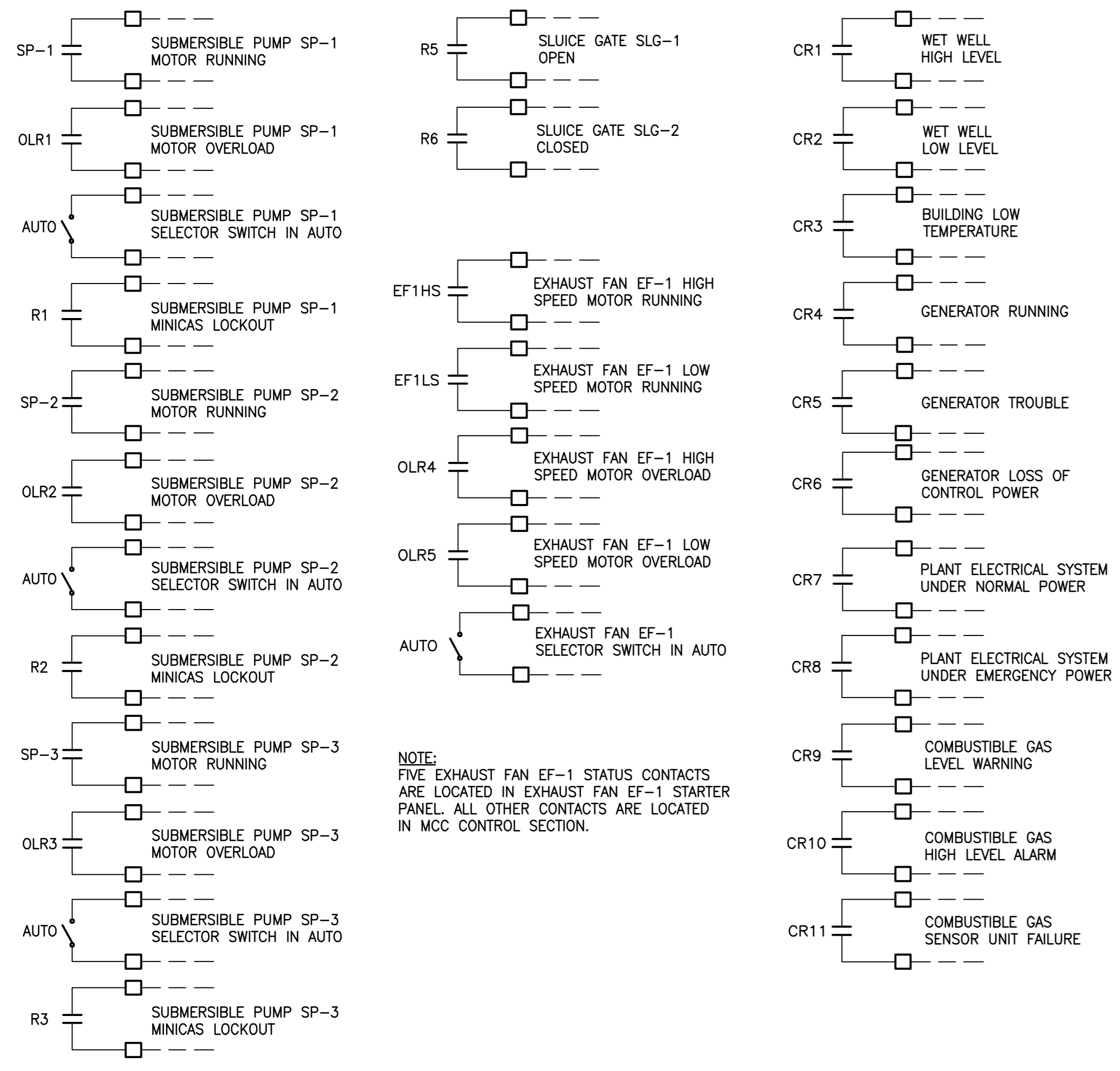
DISCRETE INPUT CARD No.2



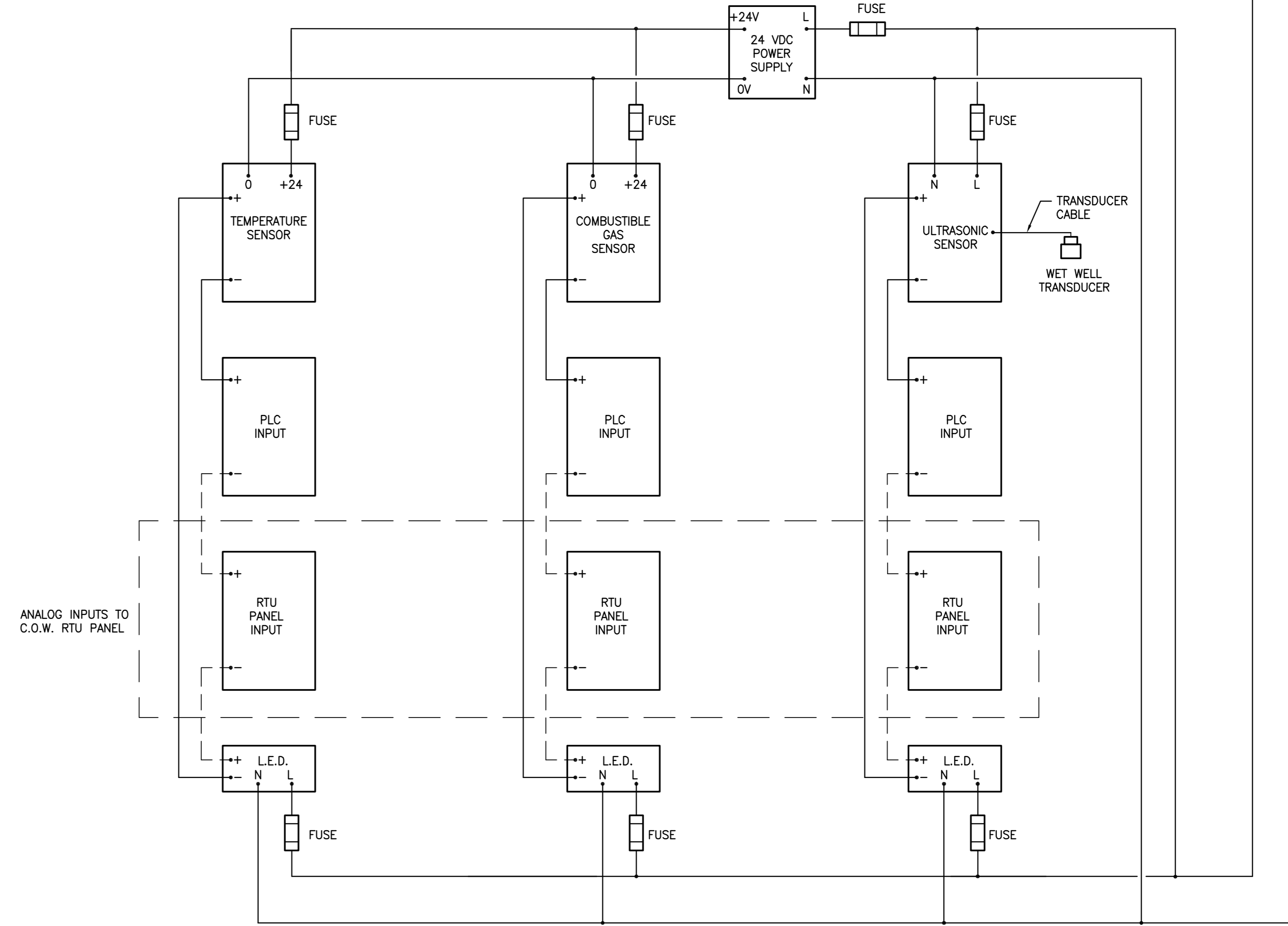
OUTPUT CARD No.1



120 VAC FROM DRAWING No.E05



NOTE: FIVE EXHAUST FAN EF-1 STATUS CONTACTS ARE LOCATED IN EXHAUST FAN EF-1 STARTER PANEL. ALL OTHER CONTACTS ARE LOCATED IN MCC CONTROL SECTION.



DISCRETE INPUT FIELD WIRING TO C.O.W. RTU PANEL

Project information block containing location approval, Stantec Consulting Ltd. logo, design and approval signatures, dates, and drawing details for Kenaston Underpass Pumping Station.

