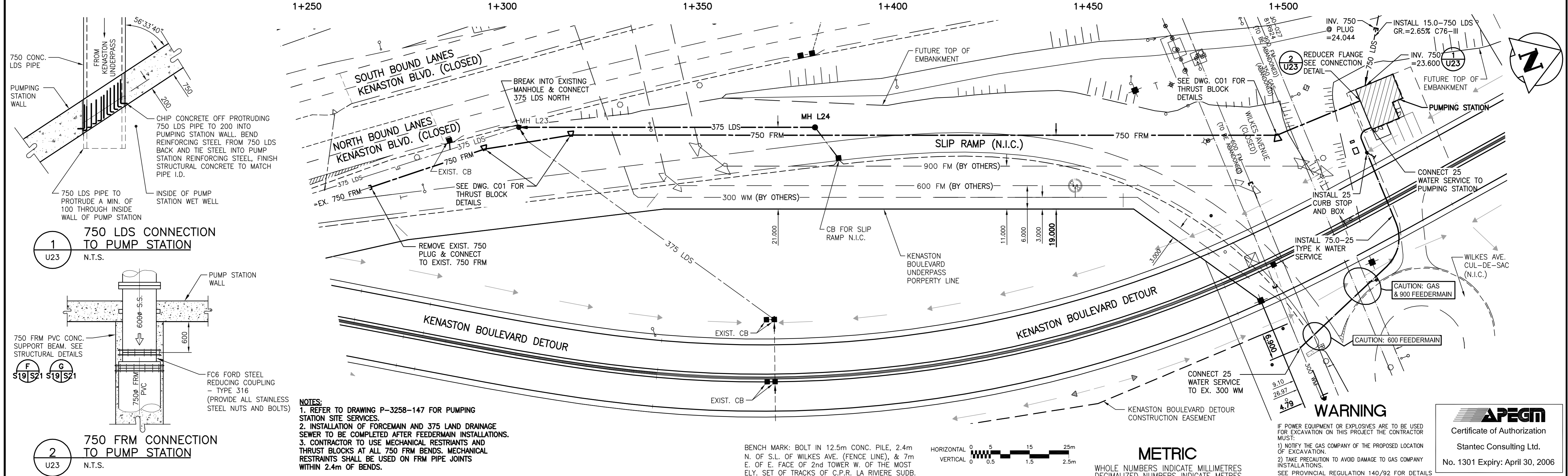
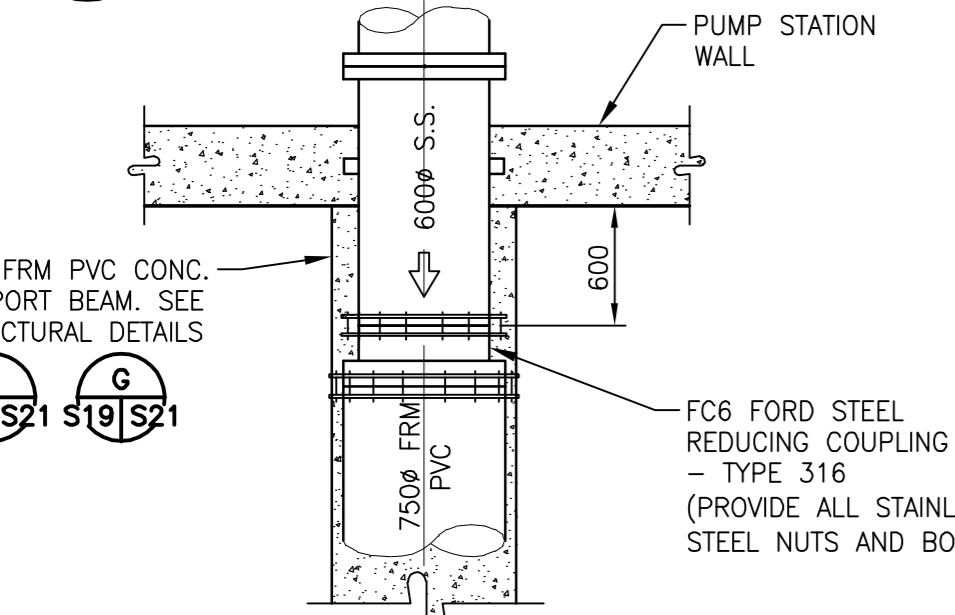


NOTE:  
STATIONS FOR FRM  
BASED ON CENTRELINE OF  
750 FRM.



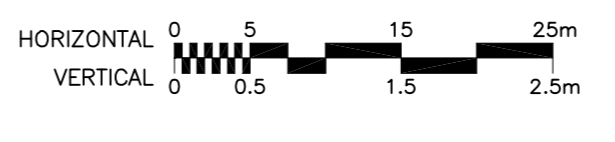
1  
U23  
N.T.S.  
750 LDS CONNECTION  
TO PUMP STATION



2  
U23  
N.T.S.  
750 FRM CONNECTION  
TO PUMP STATION

- NOTES:  
1. REFER TO DRAWING P-3258-147 FOR PUMPING STATION SITE SERVICES.  
2. INSTALLATION OF FORCEMAIN AND 375 LAND DRAINAGE SEWER TO BE COMPLETED AFTER FEEDERMAIN INSTALLATIONS.  
3. CONTRACTOR TO USE MECHANICAL RESTRAINTS AND THRUST BLOCKS AT ALL 750 FRM BENDS. MECHANICAL RESTRAINTS SHALL BE USED ON FRM PIPE JOINTS WITHIN 2.4m OF BENDS.

BENCH MARK: BOLT IN 12.5m CONC. PILE, 2.4m N. OF S.L. OF WILKES AVE. (FENCE LINE), & 7m E. OF E. FACE OF 2nd TOWER W. OF THE MOST ELY. SET OF TRACKS OF C.P.R. LA RIVIERE SUBD.



METRIC  
WHOLE NUMBERS INDICATE MILLIMETRES  
DECIMALIZED NUMBERS INDICATE METRES

WARNING  
IF POWER EQUIPMENT OR EXPLOSIVES ARE TO BE USED FOR EXCAVATION ON THIS PROJECT THE CONTRACTOR MUST:  
1) NOTIFY THE GAS COMPANY OF THE PROPOSED LOCATION OF EXCAVATION.  
2) TAKE PRECAUTION TO AVOID DAMAGE TO GAS COMPANY INSTALLATIONS.  
SEE PROVINCIAL REGULATION 140/92 FOR DETAILS

**APEGM**  
Certificate of Authorization  
Stantec Consulting Ltd.  
No. 1301 Expiry: April 30, 2006

| EXISTING | LEGEND                   | PLAN | NEW | EXISTING              | LEGEND | PLAN | NEW | EXISTING | LEGEND              | PLAN | NEW |
|----------|--------------------------|------|-----|-----------------------|--------|------|-----|----------|---------------------|------|-----|
| ○        | GAS                      |      | ○   | MANHOLE               | ●      | ●    | ●   | ◆        | HYDRANT             | ◆    | ◆   |
| ○        | MTS                      |      | □   | CATCH BASIN/CATCH PIT | □      | □    | □   | ○        | WATERMAIN VALVE     | ○    | ○   |
| ○        | HYDRO                    |      | △   | C & G INLET WITH BOX  | △      | △    | △   | +        | GAS LINE MARKER     | +    | +   |
| ○        | VIDEON                   |      | ⊙   | TREE                  | ⊙      | ⊙    | ⊙   | ○        | LIGHT STANDARD      | ○    | ○   |
| ○        | TRAFFIC SIGNALS          |      | ⊙   | TEST HOLE             | ⊙      | ⊙    | ⊙   | —        | GUY WIRE            | —    | —   |
| ○        | LAND DRAINAGE SEWER      | LDS  | —   | PROPERTY LINE         | —      | —    | —   | ⊙        | TRAFFIC SIGNAL SIGN | ⊙    | ⊙   |
| ○        | SANITARY SEWER/FORCEMAIN | FRM  | —   | SURVEY BAR            | —      | —    | —   | ○        | SIGNAL PIT          | ○    | ○   |
| ○        | CATCHBASIN LEAD          | —    | —   | GEODETIC MONUMENT     | —      | —    | —   | +        | HYDRO MARKER        | +    | +   |
| ○        | WATERMAIN                | WM   | —   | FENCE                 | —      | —    | —   | ○        | BOLLARD             | ○    | ○   |
| ○        | SUBDRAIN                 | —    | —   | BACK OF CURB          | —      | —    | —   | ○        | DITCH               | ○    | ○   |
| ○        | FEEDERMAIN               | FM   | —   | ELEVATION             | —      | —    | —   | ○        |                     | ○    | ○   |
| ○        |                          |      | —   |                       | —      | —    | —   | ○        |                     | ○    | ○   |

LOCATION APPROVED UNDERGROUND STRUCTURES

| SUPV. U/G STRUCTURES | DATE |
|----------------------|------|
|                      |      |
|                      |      |
|                      |      |

NOTE:  
LOCATION OF UNDERGROUND STRUCTURES AS SHOWN ARE BASED ON THE BEST INFORMATION AVAILABLE BUT NO GUARANTEE IS GIVEN THAT ALL EXISTING UTILITIES ARE SHOWN OR THAT THE GIVEN LOCATIONS ARE EXACT. CONFIRMATION OF EXISTENCE AND EXACT LOCATION OF ALL SERVICES MUST BE OBTAINED FROM THE INDIVIDUAL UTILITIES BEFORE PROCEEDING WITH CONSTRUCTION.

**Stantec Consulting Ltd.**  
905 Waverley Street, Winnipeg, Manitoba  
Tel 204-489-5900 Fax 204-453-9012

|             |       |                |           |
|-------------|-------|----------------|-----------|
| DESIGNED BY | JKH   | CHECKED BY     | SAB       |
| DRAWN BY    | TAG   | APPROVED BY    | AJR       |
| HOR. SCALE: | 1:500 | AUTHORIZED BY: | R. FINGAS |
| VERTICAL:   | 1:50  | DATE:          | 05.12.09  |

R. FINGAS, P. ENG.  
BRIDGE PROJECTS ENGINEER

ENGINEER'S SEAL

|                        |               |
|------------------------|---------------|
| ORIGINAL SEALED BY     | A.J. RAPOSO   |
| P. ENG.                | 05.12.09      |
| CONSULTANT DRAWING NO. | I13703042-U23 |

**THE CITY OF WINNIPEG**  
PUBLIC WORKS DEPARTMENT  
ENGINEERING DIVISION

**Kenaston Underpass**  
Kenaston Underpass Pumping Station

FORCEMAIN AND LAND DRAINAGE SEWER  
STA. 1+250 TO PUMPING STATION

SHEET 3 OF 25  
CAD FILE DRAWING NUMBER I13703042-U23.dwg  
CITY DRAWING NUMBER 05699