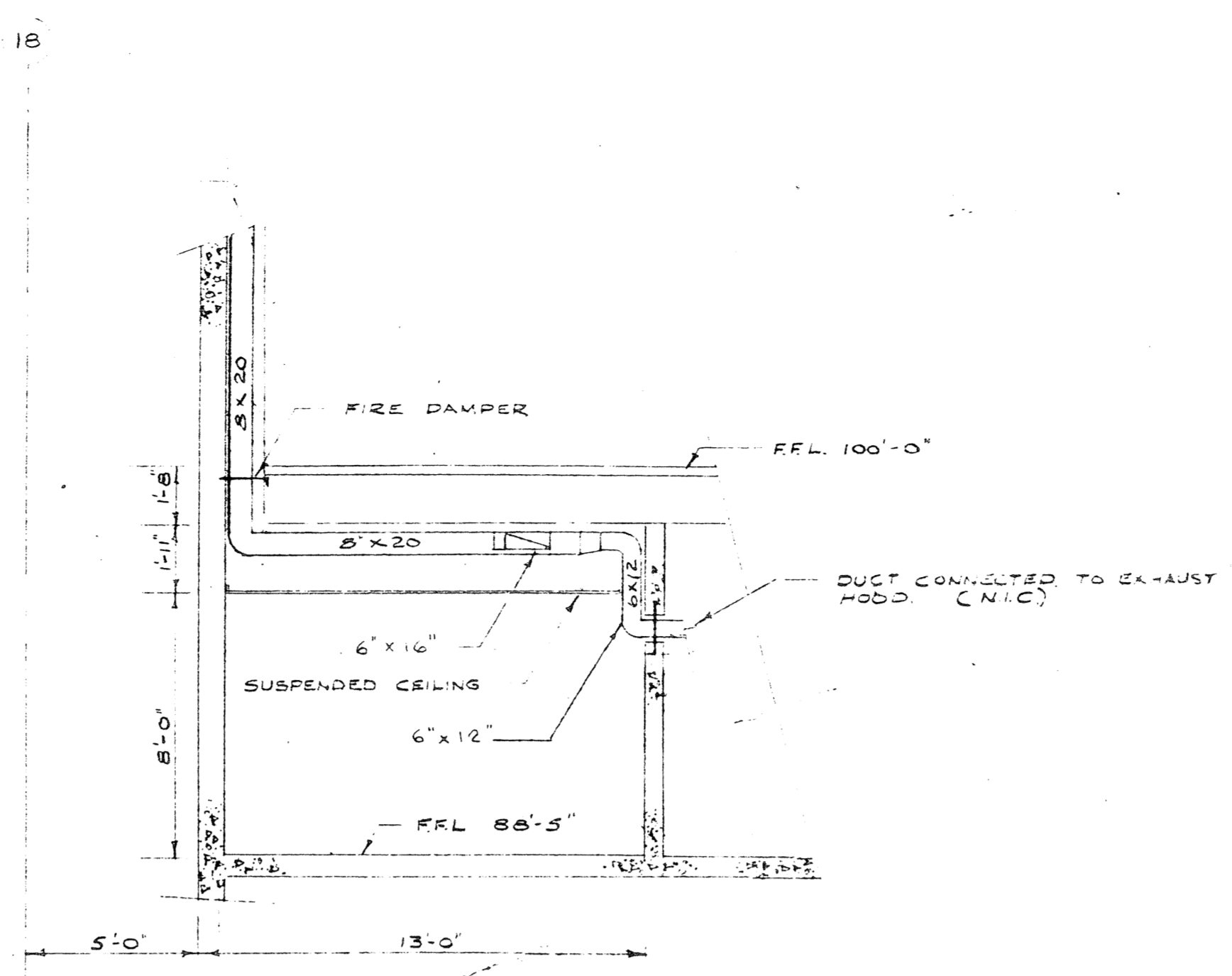
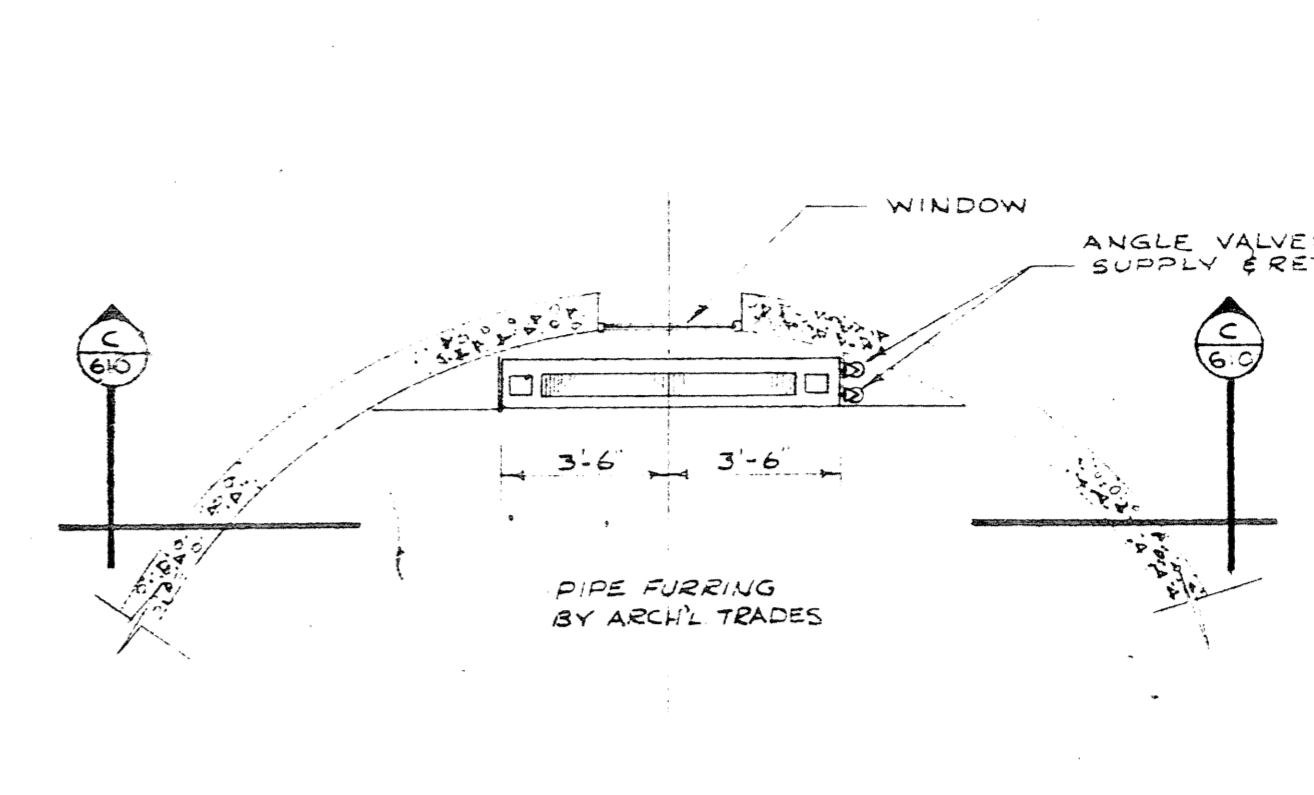


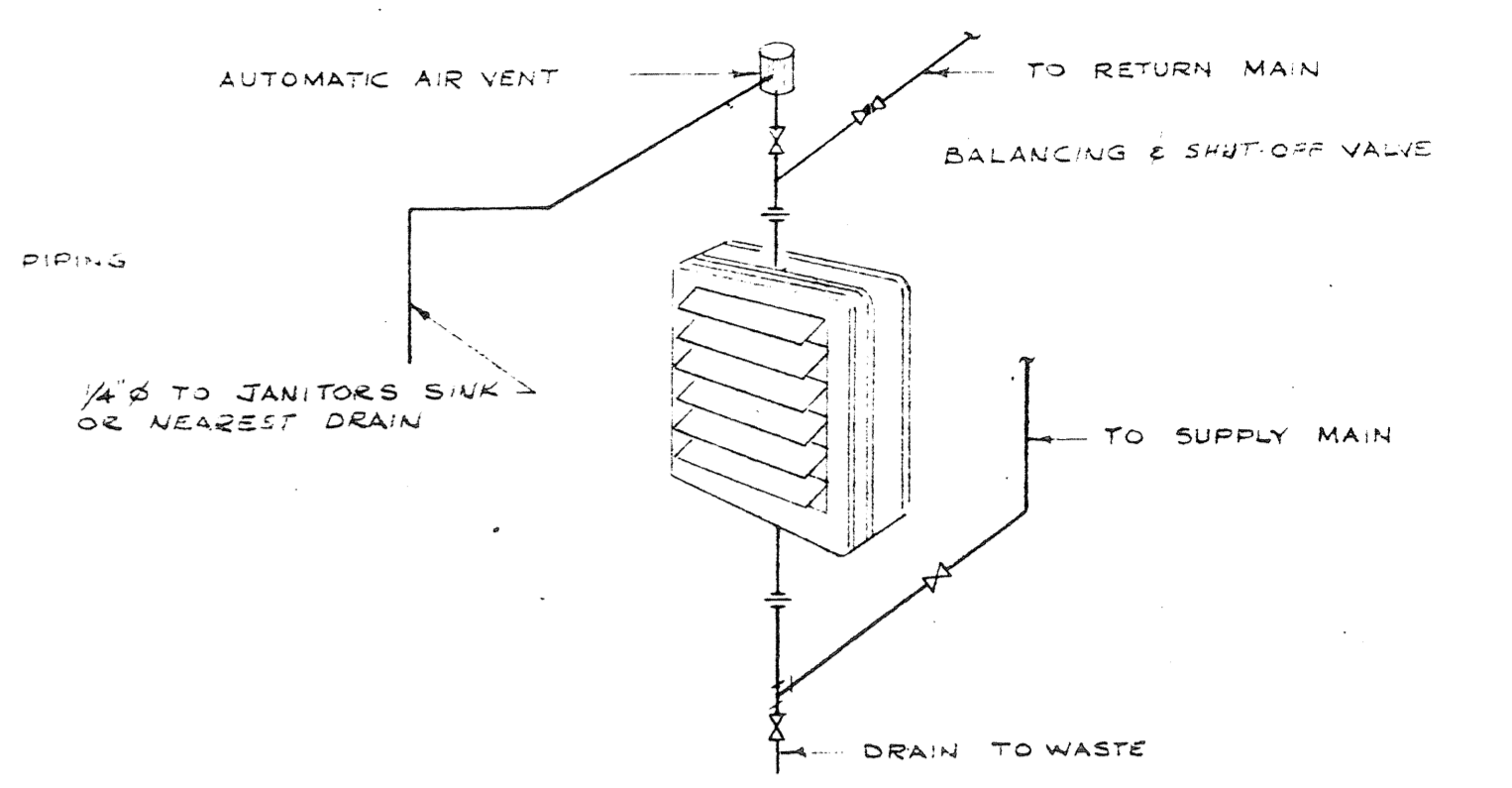
PLAN OF KITCHEN IN OFFICE BUILDING
SCALE 1/4" = 1'-0"



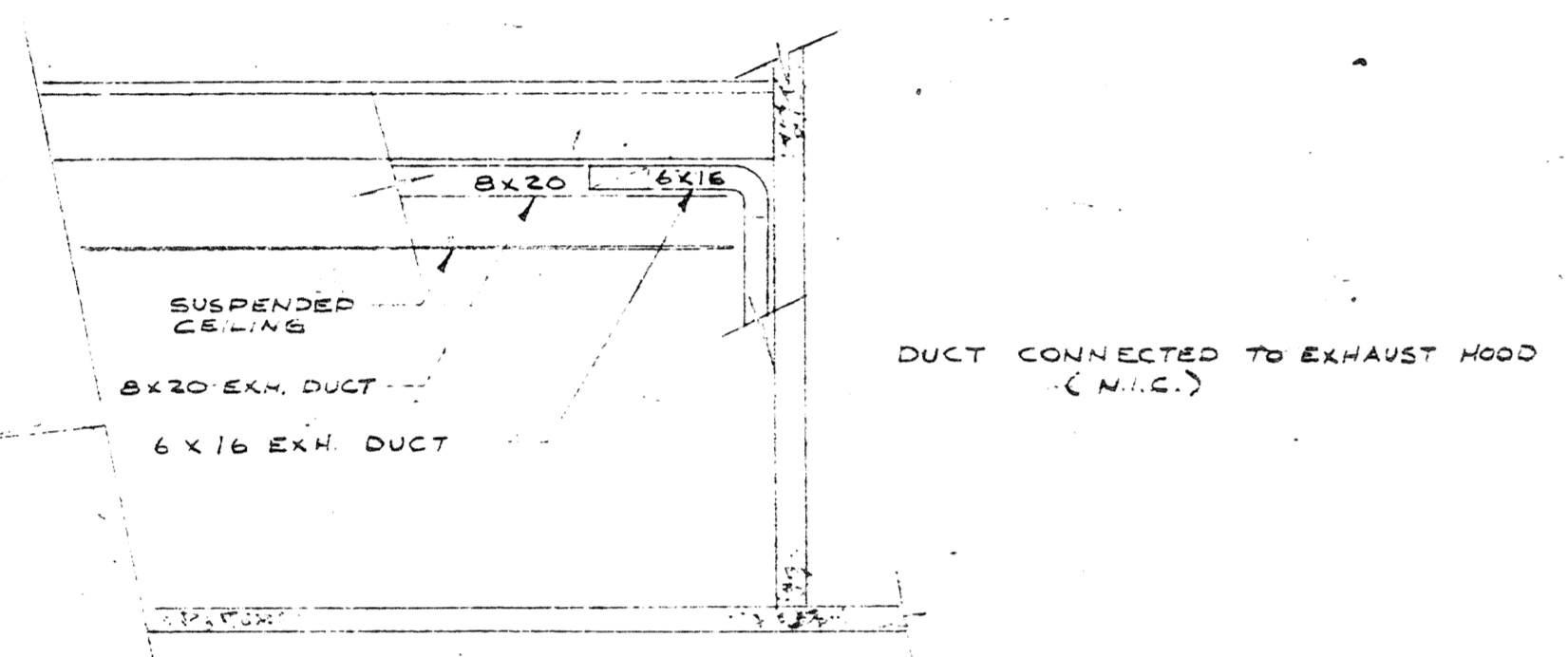
SECTION A-A
SCALE 1/4" = 1'-0"



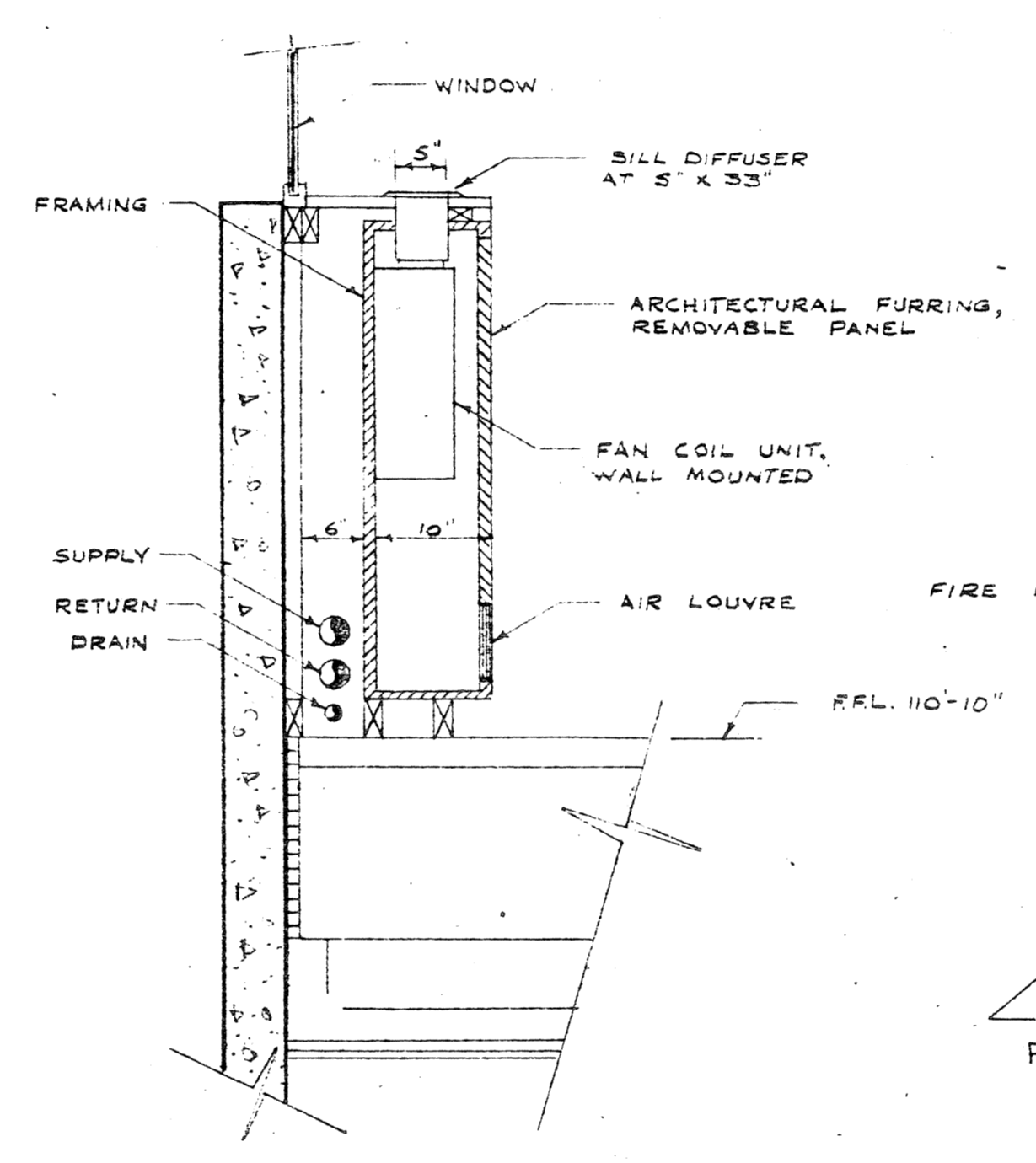
LAYOUT OF HOT WATER HEATER IN ROOM A1164216
SCALE 1/4" = 1'-0"



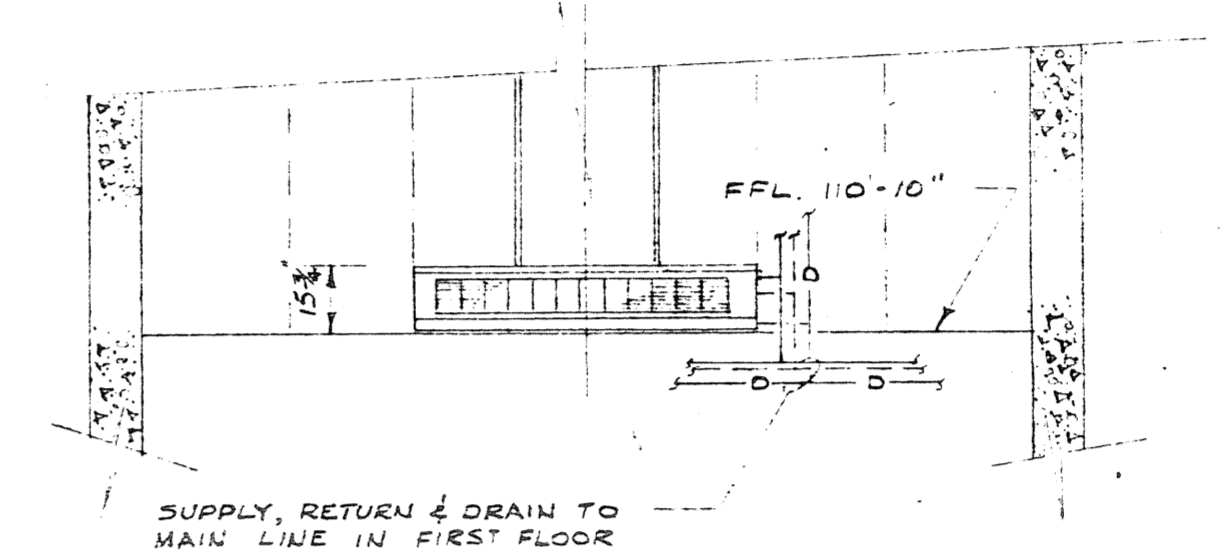
TYPICAL PIPING OF HOT WATER UNIT HEATER
NOT TO SCALE



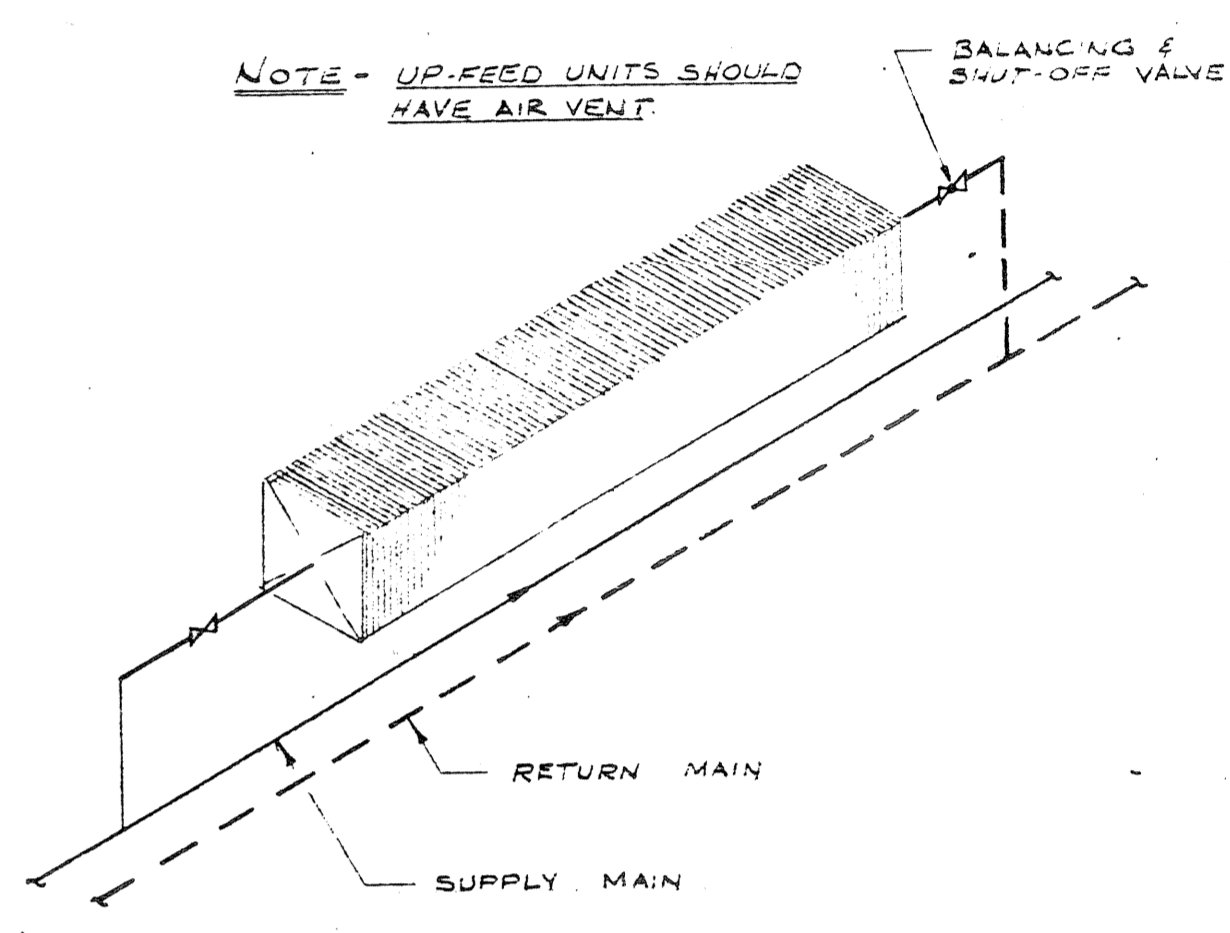
SECTION B-B
SCALE 1/4" = 1'-0"



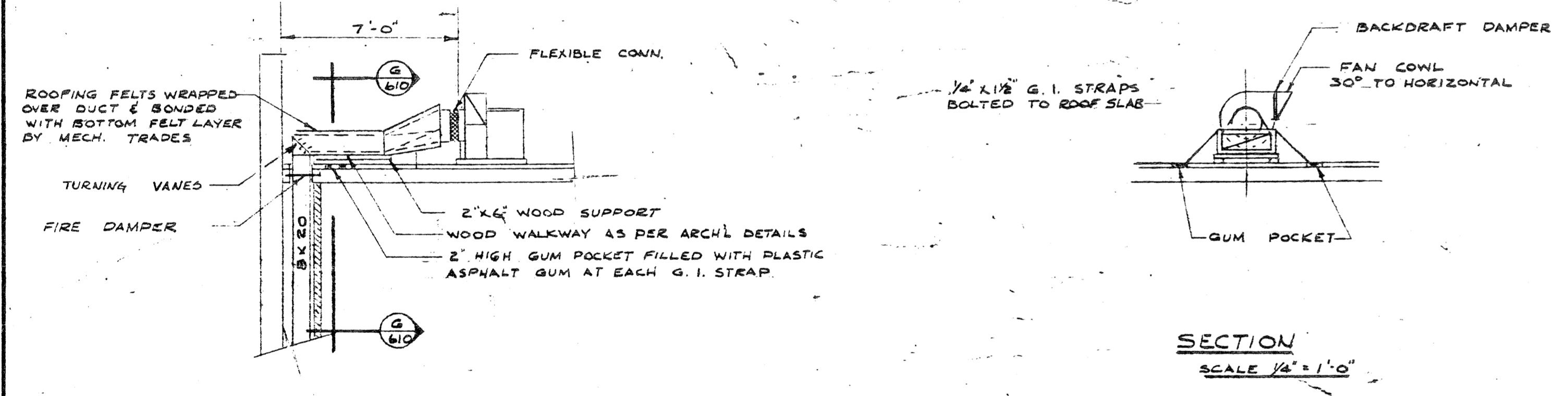
SECTION C-C
SCALE 1/4" = 1'-0"



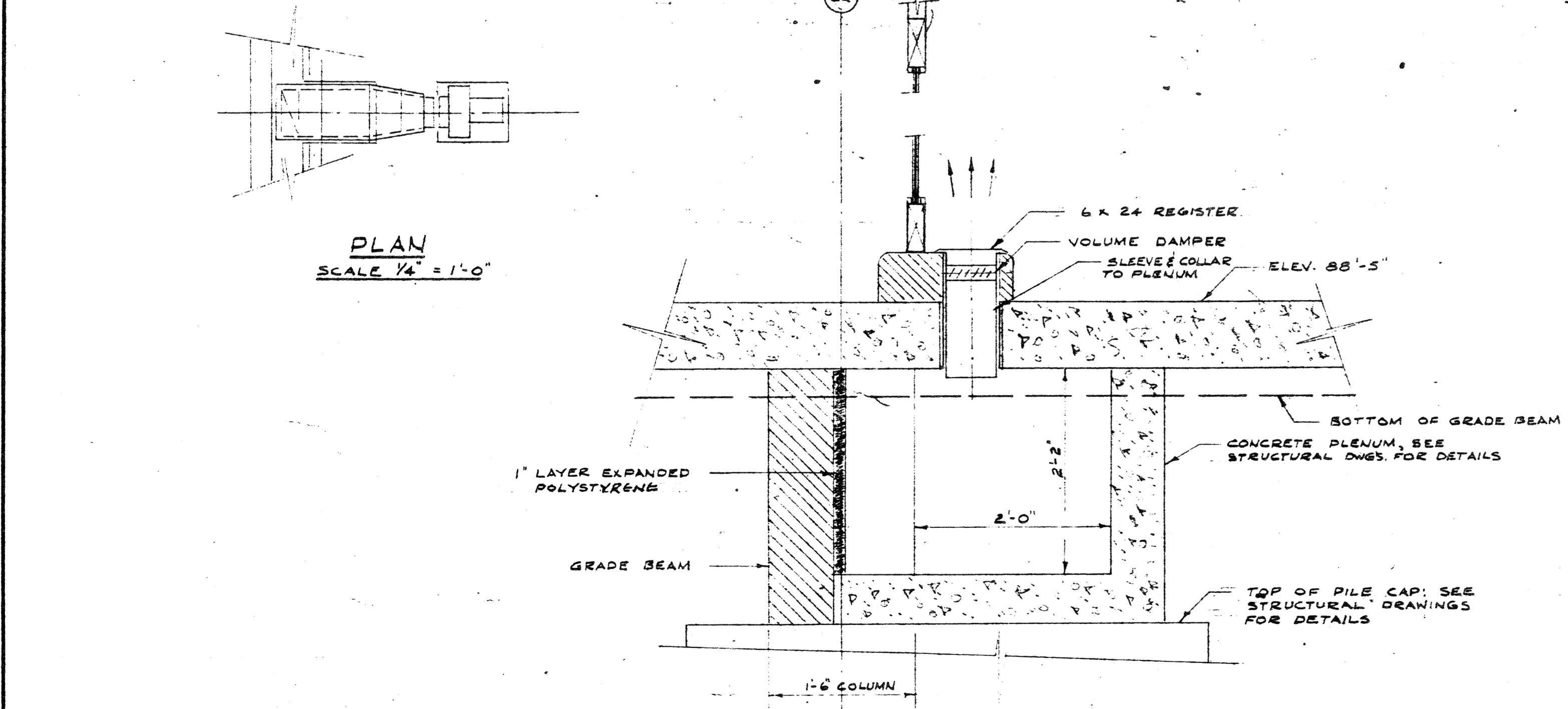
SECTION D-D
SCALE 1/4" = 1'-0"



TYPICAL PIPING OF HOT WATER CONVECTOR
NOT TO SCALE

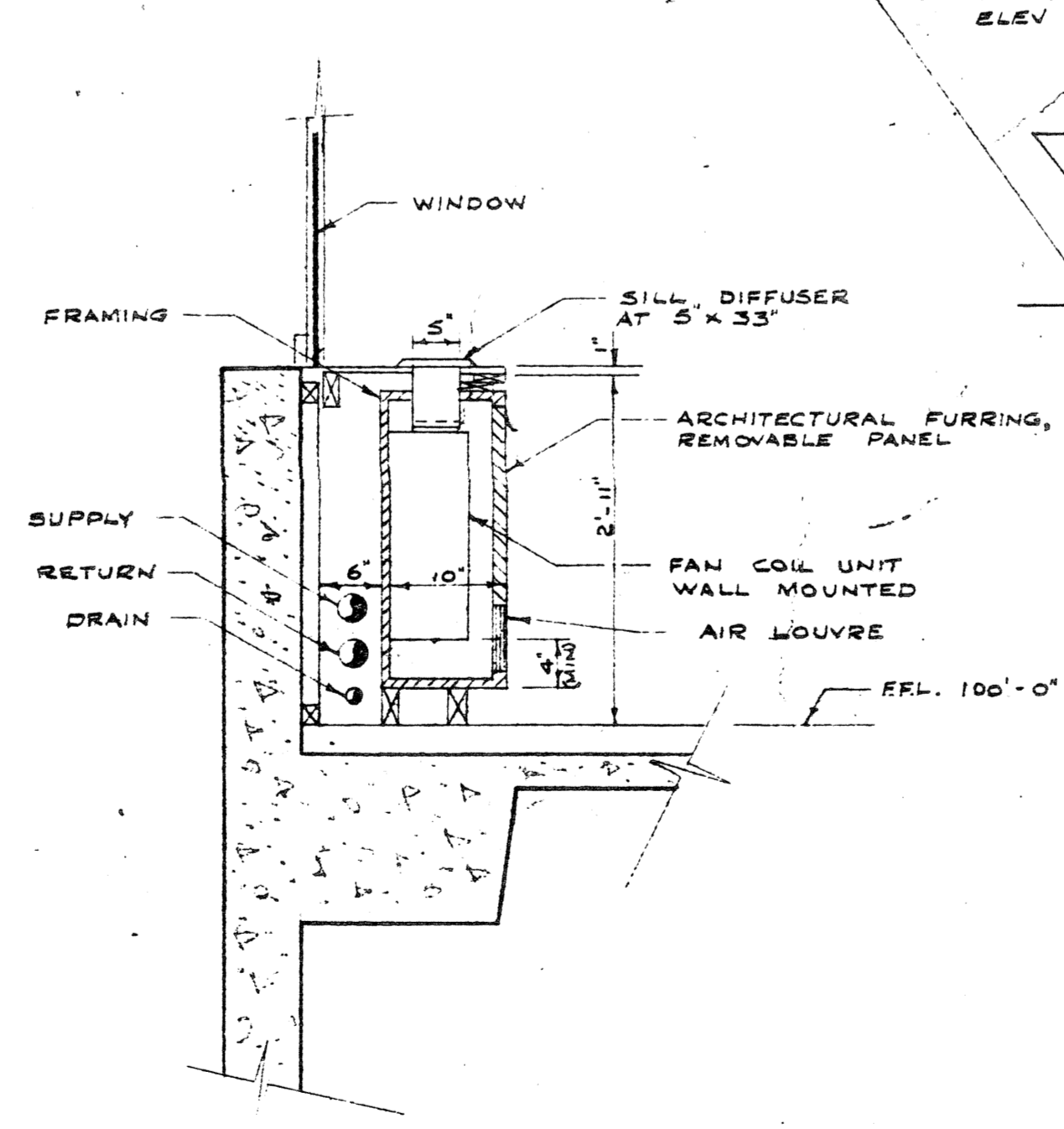


ELEVATION OF KITCHEN EXHAUST FAN ON ROOF
SCALE 1/4" = 1'-0"

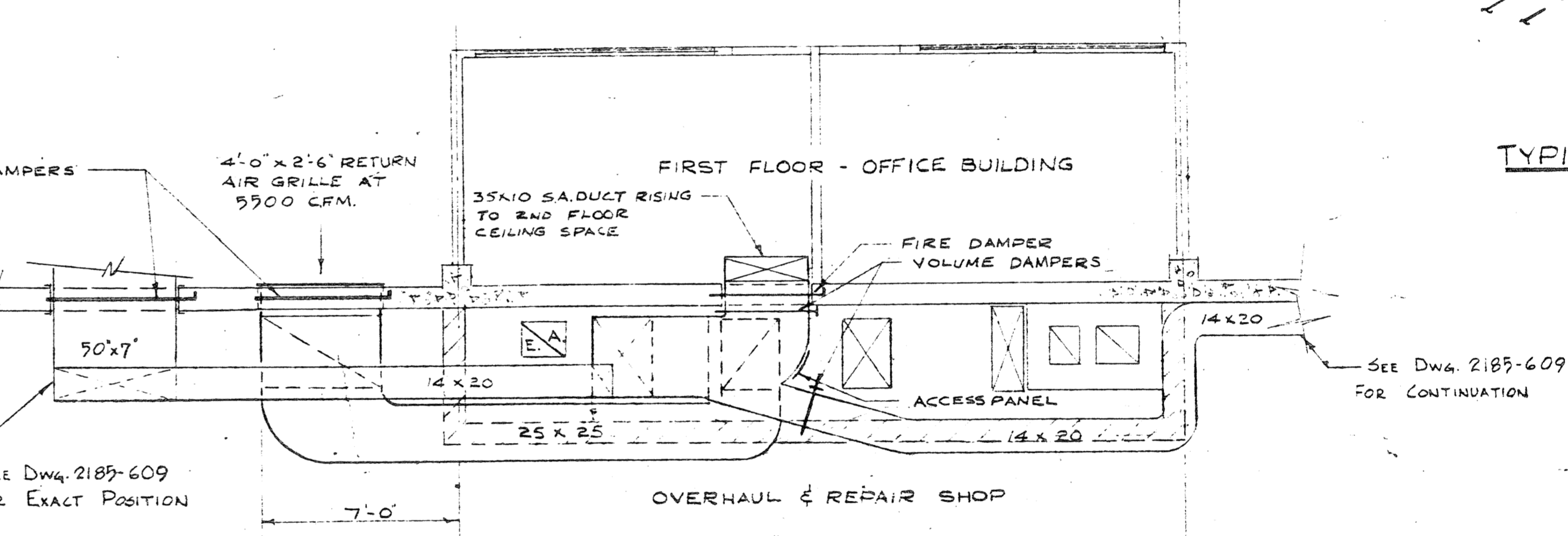


SECTION E-E
SCALE 1" = 1'-0"

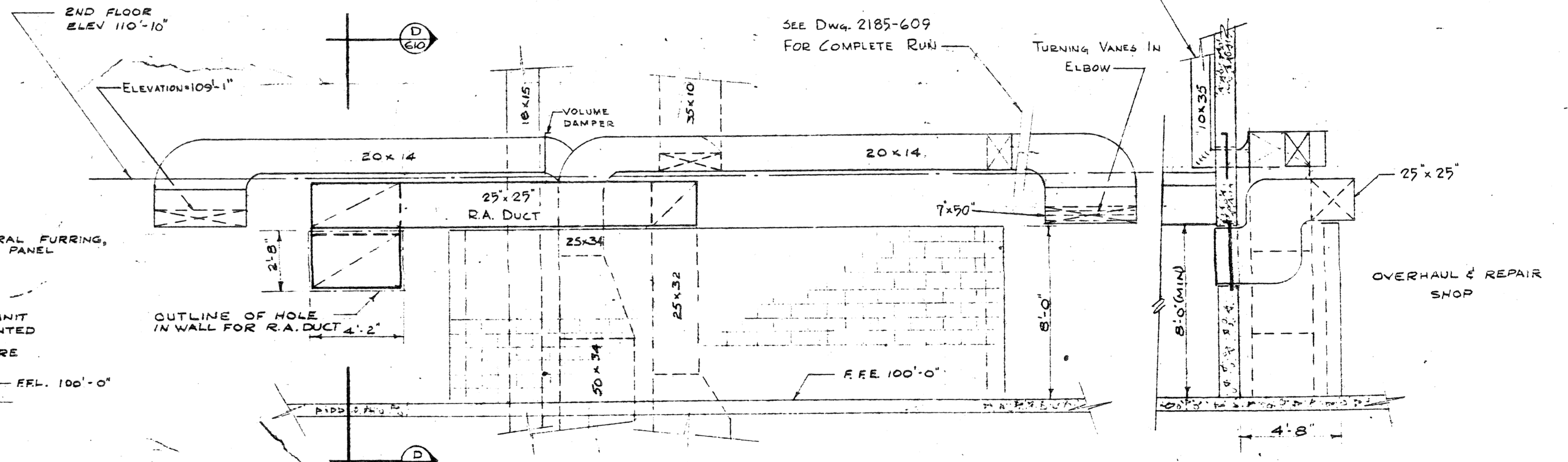
2ND FLOOR
SCALE 3/4" = 1'-0"



SECTION F-F
SCALE 1/4" = 1'-0"

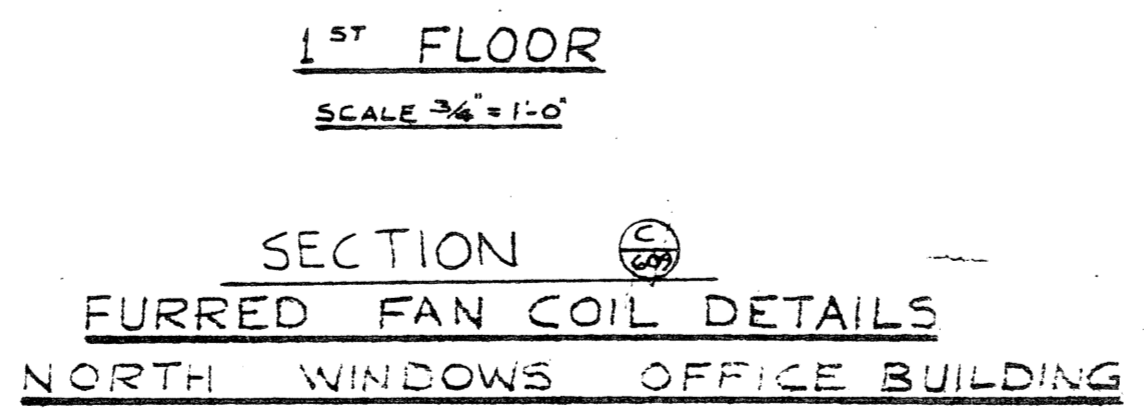


PLAN
SCALE 1/4" = 1'-0"



ELEVATION
SCALE 1/4" = 1'-0"

SECTION G-G
SCALE 1/2" = 1'-0"



SECTION H-H
SCALE 3/4" = 1'-0"

LAYOUT OF AIR SYSTEMS
FIRST FLOOR - OFFICE BUILDING
SCALE 1/4" = 1'-0"

2185-610

DATE	ISSUE NO.	REV.	DESCRIPTION	DRAWN BY
19/1/68	2	0	FOR TENDER	
20/1/68	1	0	FOR APPROVAL	

ISSUE OR REVISION	

METROPOLITAN CORPORATION OF GREATER WINNIPEG
STREETS AND TRANSIT DIVISION

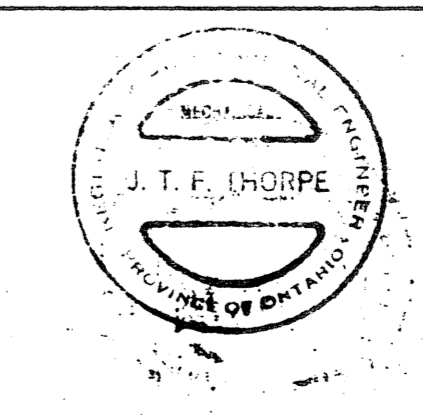
TRANSIT STORAGE AND SHOP FACILITIES
ADMINISTRATION BUILDING
HEATING, VENTILATING & AIR CONDITIONING - DETAILS

CONSULTING PROFESSIONAL ENGINEERS
A. D. MARGISON AND ASSOCIATES LIMITED
155 LESLIE STREET, 2ND FLOOR, WINNIPEG, MANITOBA

ARCHITECTS
Walsman Ross + Blashforth Coop Gilmore Hanna
10 HOWARD STREET, WINNIPEG, MANITOBA

APPROVED: *[Signature]*
DEPUTY DIRECTOR OF STREETS AND TRANSIT

DRAWN BY: *[Signature]*
CHECKED: J.T.T.
DATE: AUGUST '67
SCALE: AS SHOWN
DRAWING NO.: 2185-610
SHEET NO.: MECHANICAL



LICENSED TO PRACTICE
IN THE
PROVINCE OF MANITOBA
By License Expiry, 30 Jan 1968