

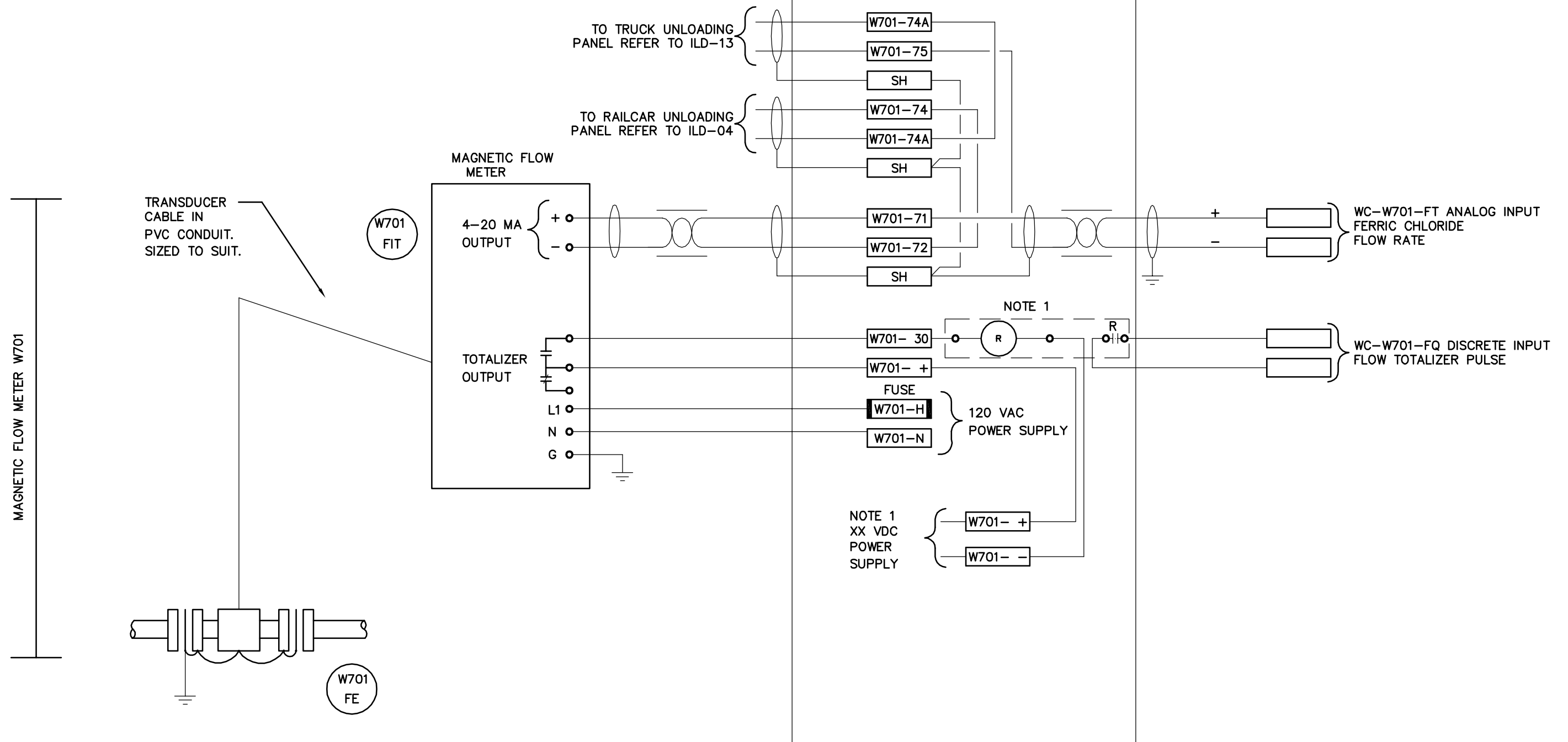
INSTRUMENT LOOP DIAGRAM

LOOP NO. W701

PROCESS AREA

SYSTEM MARSHALLING PANEL

DCS-PCU 26



NOTE:
 PROVIDE INTERPOSING RELAY AND RELATED POWER SUPPLY SUITABLE FOR USE WITH FLOWMETER TOTALIZER OUTPUT

EarthTech
 Earth Tech (Canada) Inc. Winnipeg, Manitoba 204.477.5361

| DATE | REVISION | APP. |
|------|----------|------|
| | | |
| | | |
| | | |

THE CITY OF WINNIPEG
WATER AND WASTE DEPARTMENT
 Winnipeg NEWPCC - CENTRATE NUTRIENT TREATMENT PHOSPHORUS REMOVAL FACILITY

INSTRUMENT LOOP DIAGRAM
 MAGNETIC FLOW METER W701-FIT

SCALE AS NOTED
 DATE 05 10 27
 DES _____ DWN _____
 CKD _____ APP _____

DRAWING NO.
 ILD-08