

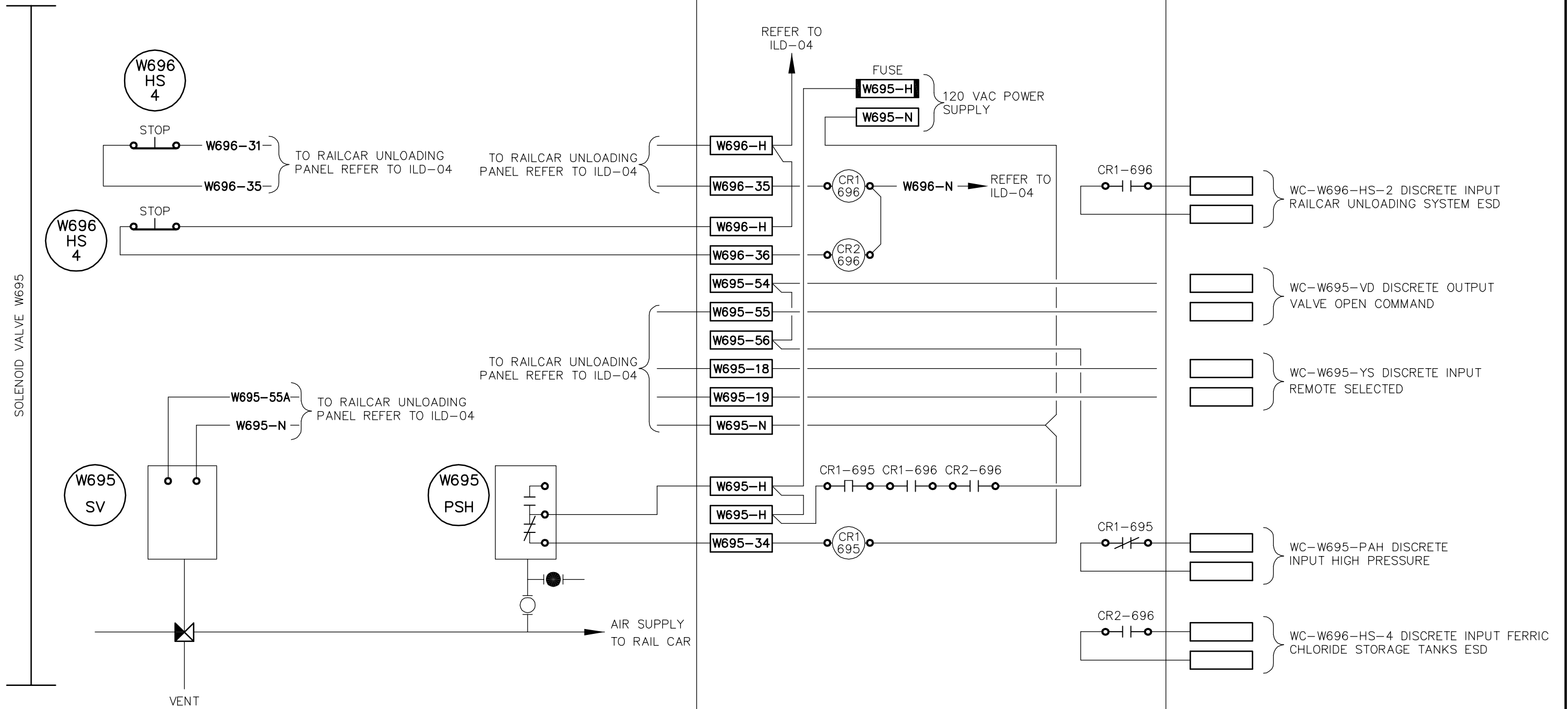
INSTRUMENT LOOP DIAGRAM

LOOP NO. W695

PROCESS AREA

SYSTEM MARSHALLING PANEL

D.C.S. - PCU 26



NOTE:
1) STOP BUTTON SHALL BE MAINTAINED. PUSH-PULL TYPE



Earth Tech (Canada) Inc. Winnipeg, Manitoba 204.477.5381



THE CITY OF WINNIPEG
WATER AND WASTE DEPARTMENT
NEWPCC - CENTRATE NUTRIENT TREATMENT
PHOSPHORUS REMOVAL FACILITY

SCALE AS NOTED
DATE 05 10 18
DES _____ DWN _____
CKD _____ APP _____

INSTRUMENT LOOP DIAGRAM
RAIL CAR UNLOADING SOLENOID VALVE

DRAWING NO.
ILD-05

DATE	REVISION	APP.