

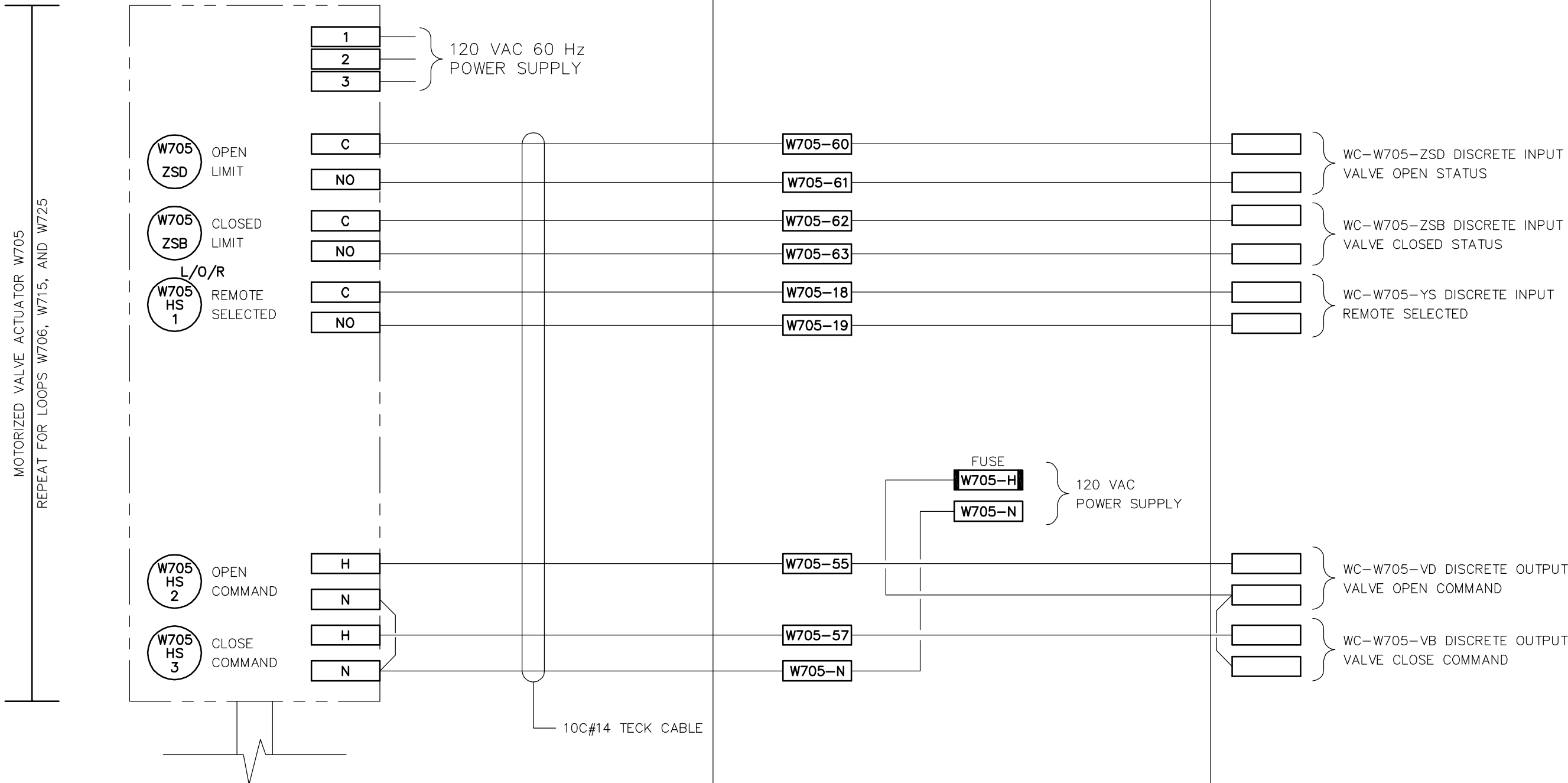
INSTRUMENT LOOP DIAGRAM

LOOP NO. W705

PROCESS AREA

SYSTEM MARSHALLING PANEL

D.C.S. - PCU 26



NOTE:
1) CONFIGURE ACTUATOR FOR EXTERNAL 120 VAC CONTROL POWER AND THREE WIRE MOMENTARY EXTERNAL CONTROL.



Earth Tech (Canada) Inc. Winnipeg, Manitoba 204.477.5361



THE CITY OF WINNIPEG
WATER AND WASTE DEPARTMENT
NEWPCC - CENTRATE NUTRIENT TREATMENT PHOSPHORUS REMOVAL FACILITY

SCALE AS NOTED
DATE 05 10 14
DES _____ DWN _____
CKD _____ APP _____

INSTRUMENT LOOP DIAGRAM
TYPICAL MOTORIZED VALVE ACTUATOR

DRAWING NO.
ILD-01

DATE	REVISION	APP.