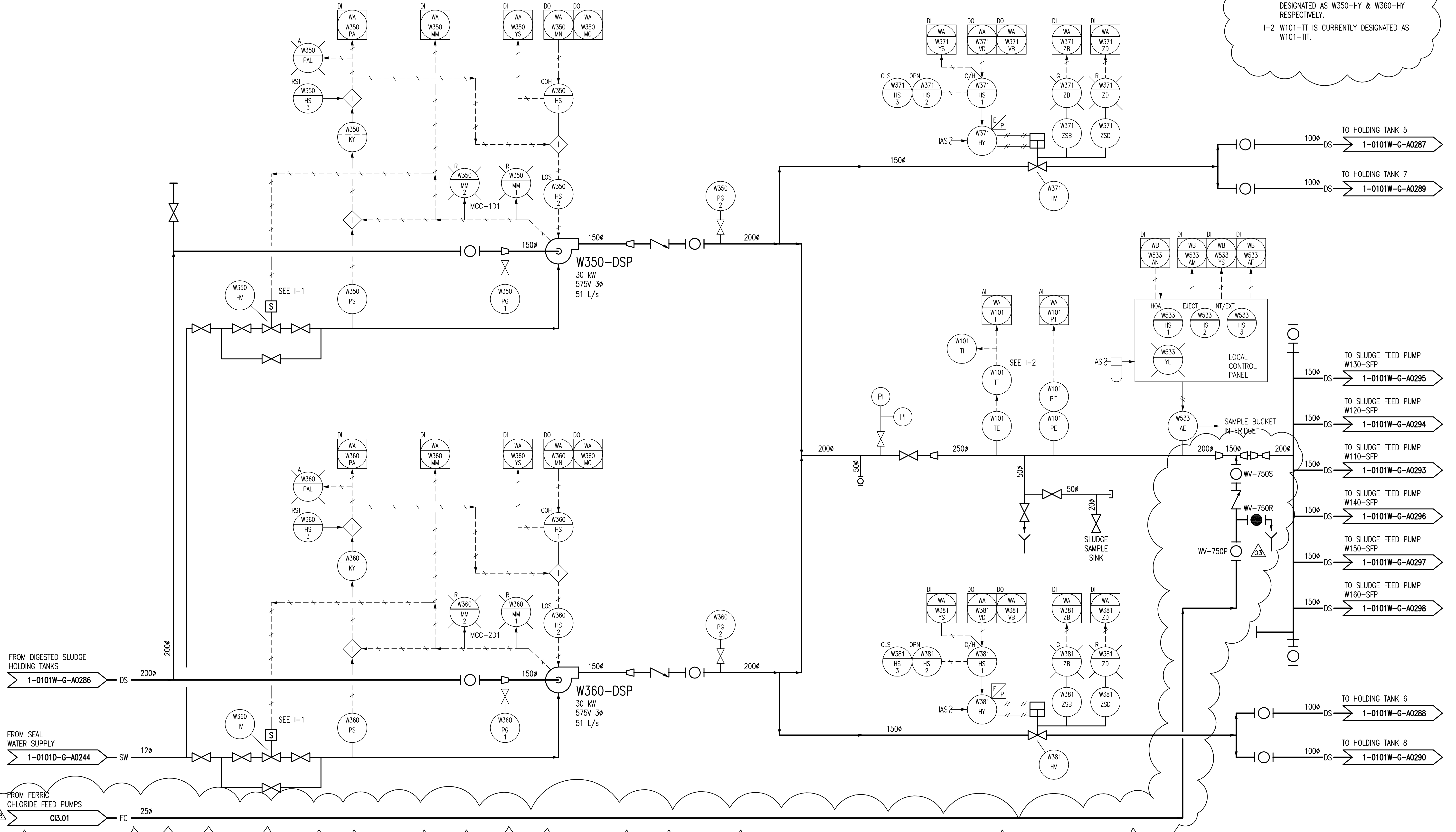


INCONSISTENCIES:

- I-1 W350-HV & W360-HV ARE CURRENTLY DESIGNATED AS W350-HY & W360-HY RESPECTIVELY.
- I-2 W101-TT IS CURRENTLY DESIGNATED AS W101-TIT.



1-0101A-D-A0001	PROCESS AND INSTRUMENT DOAGRAMS LEGEND AND DETAILS
DRAWING NUMBER	REFERENCE DRAWINGS

B.M. ELEV.	FIELD BOOK #:
POSTED TO LBIS	
03 ADDED FERRIC CHLORIDE DOSING	2005/11/09 ET
02 RENUMBERED FACILITY CODE	2005/10/28 GT
01 ISSUED FOR C.O.W. USE	2005/09/15 CJR
00 RELEASED FOR CUSTOMER REVIEW	2005/08/22 CJR
NO. REVISIONS	DATE BY

SNC • LAVALIN Engineers & Constructors		SNC • LAVALIN 200-1600 Notre Avenue Winnipeg, Manitoba Canada R3J 3W7	
DESIGNED BY	EXISTING	CHECKED BY	CJR
DRAWN BY	DAS	APPROVED BY	EMR
HOR. SCALE	NTS	RELEASED FOR CONSTRUCTION	
VERTICAL		DATE	
DATE	2004/11/03		
FILENAME:	1-0101W-G-A0292-001-03D.dwg		

ENGINEER'S SEAL

Winnipeg THE CITY OF WINNIPEG
WATER AND WASTE DEPARTMENT

**NORTH END WATER POLLUTION CONTROL CENTRE
DEWATERING
PROCESS & INSTRUMENTATION DOAGRAM
DIGESTED SLUDGE TRANSFER PUMPS
W350-DSP & W360-DSP**

CITY DRAWING NUMBER: 1-0101W-G-A0292 SHEET: 001 REV: 03 SIZE: D