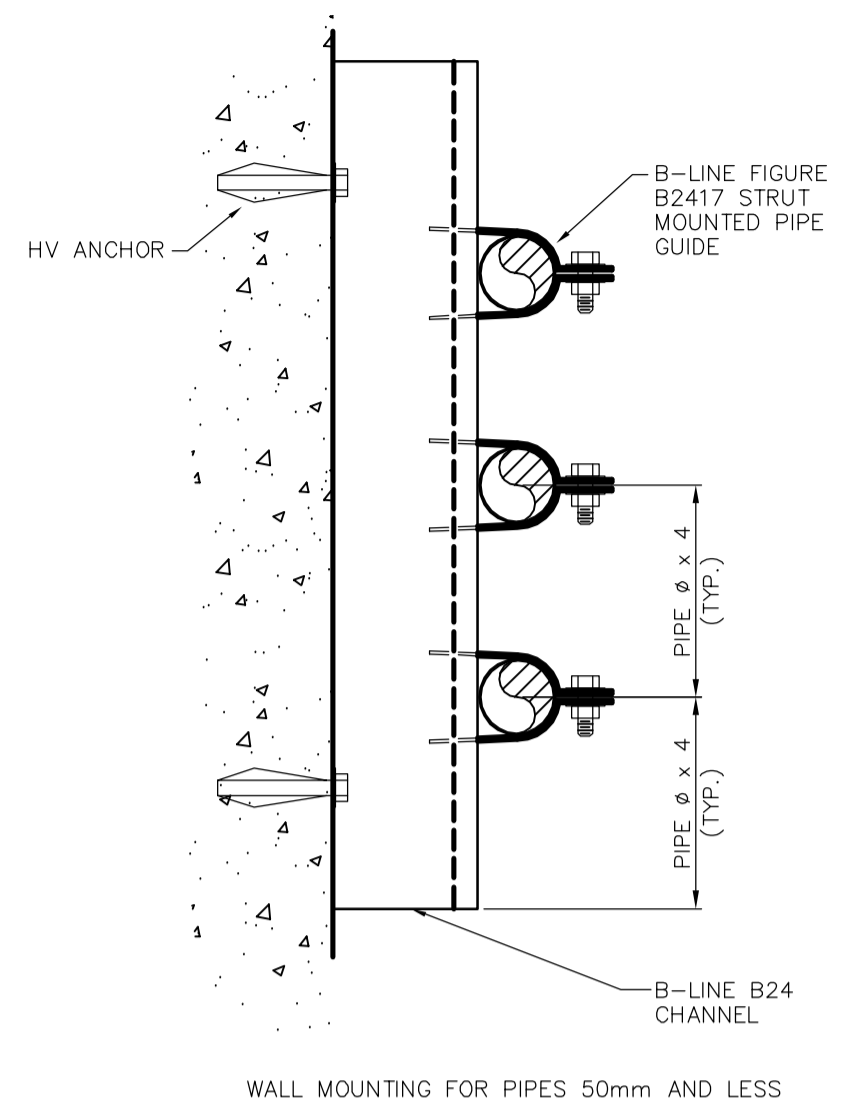
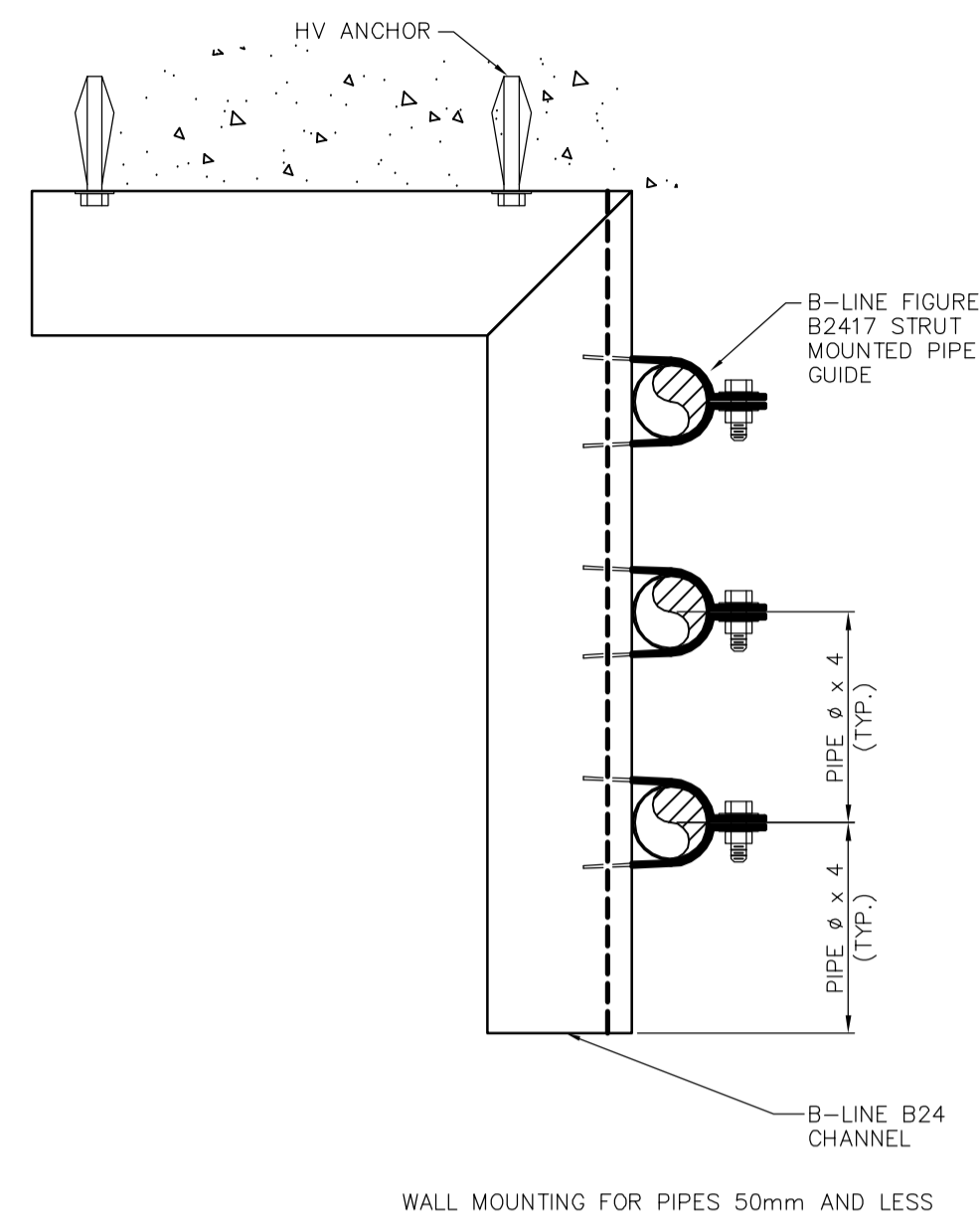


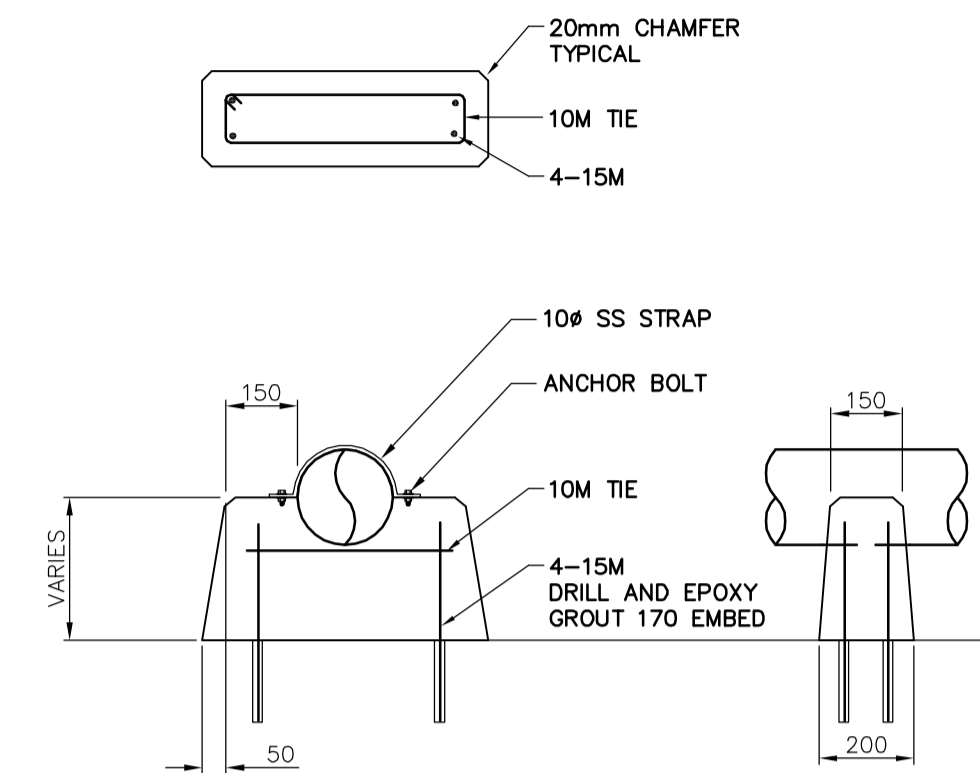
STD 38 TYPE 13 PIPE HANGER



STD 42 SMALL PIPING WALL MOUNTED SUPPORT

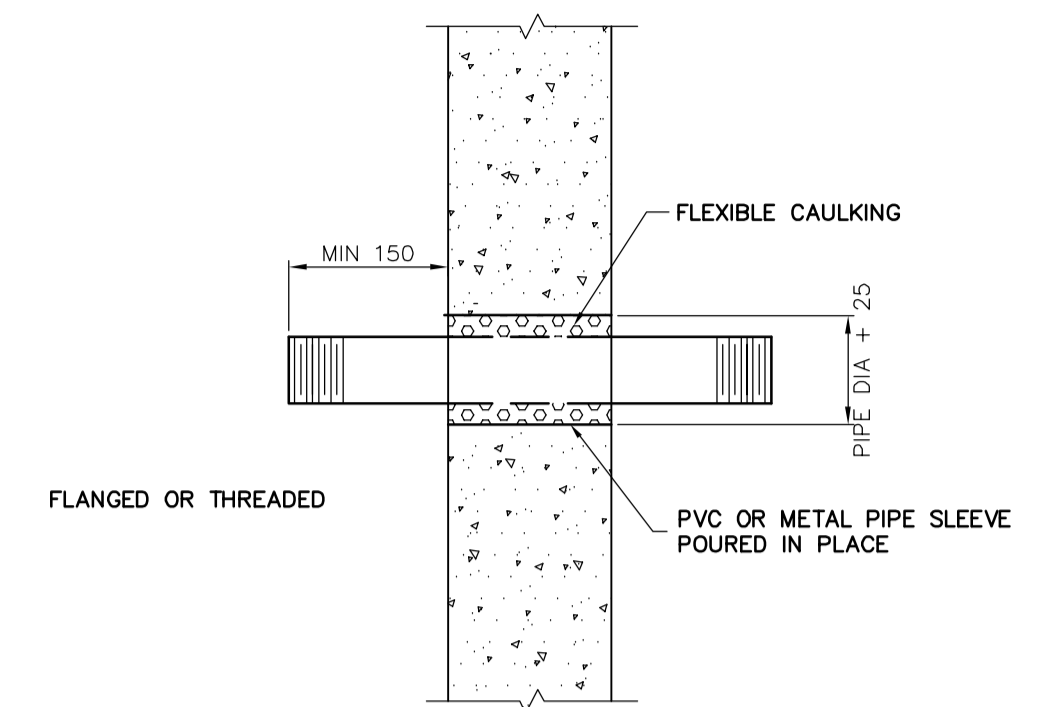


STD 42A UNDERSIDE OF ROOF SUPPORT



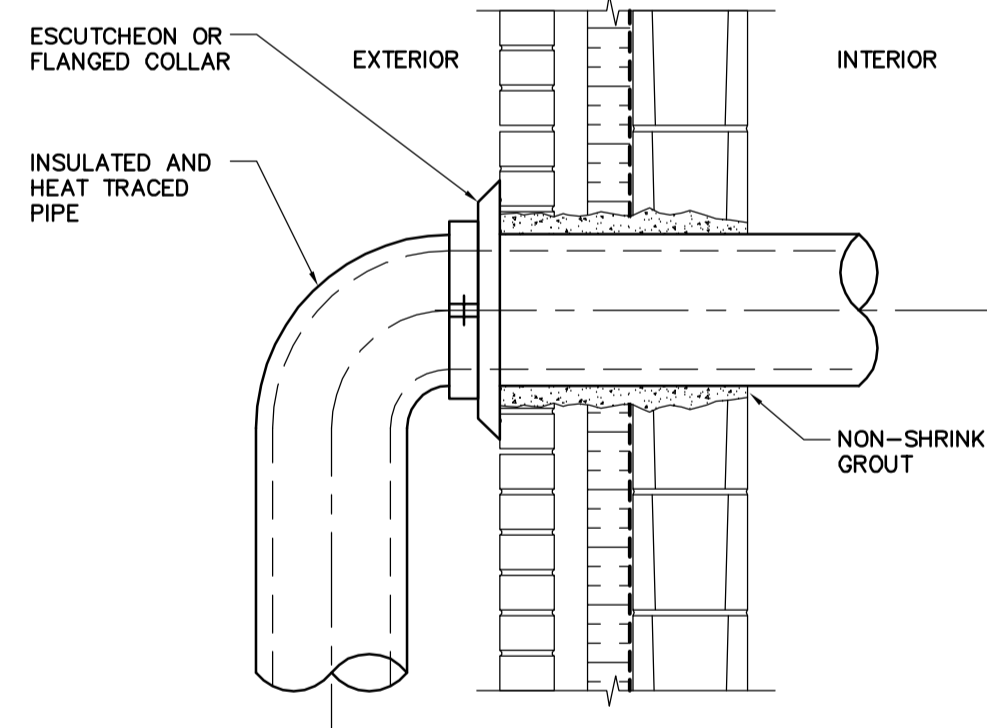
STD 44 CONCRETE PIPE SUPPORT

NOTE: PROVIDE CHEMICAL RESISTANT COATING TO SS ROD, BOLT & CONCRETE SURFACE.



APPLICATION NOTES:
 1. CONCRETE WALL
 2. STEEL, DUCTILE IRON, PVC OR FRP PIPE; LESS THAN 75mm NOMINAL I.D.
 3. CONDITION
 a) DRY TO DRY
 4. ALLOW TRANSVERSE MOVEMENT

STD 103 TYPE 3 WALL PENETRATION



STD 104A TANK VENT WALL PENETRATION

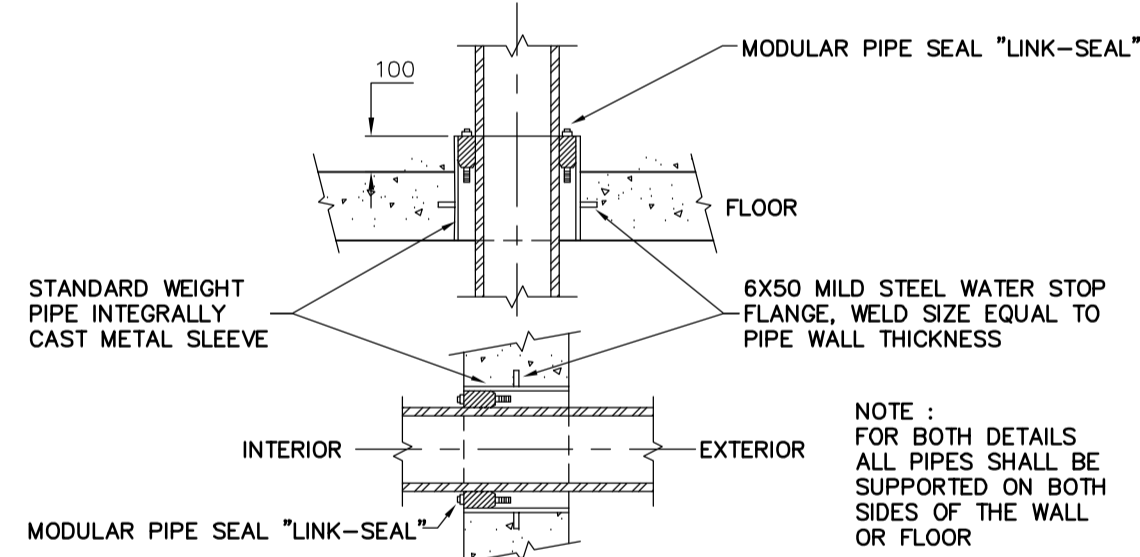
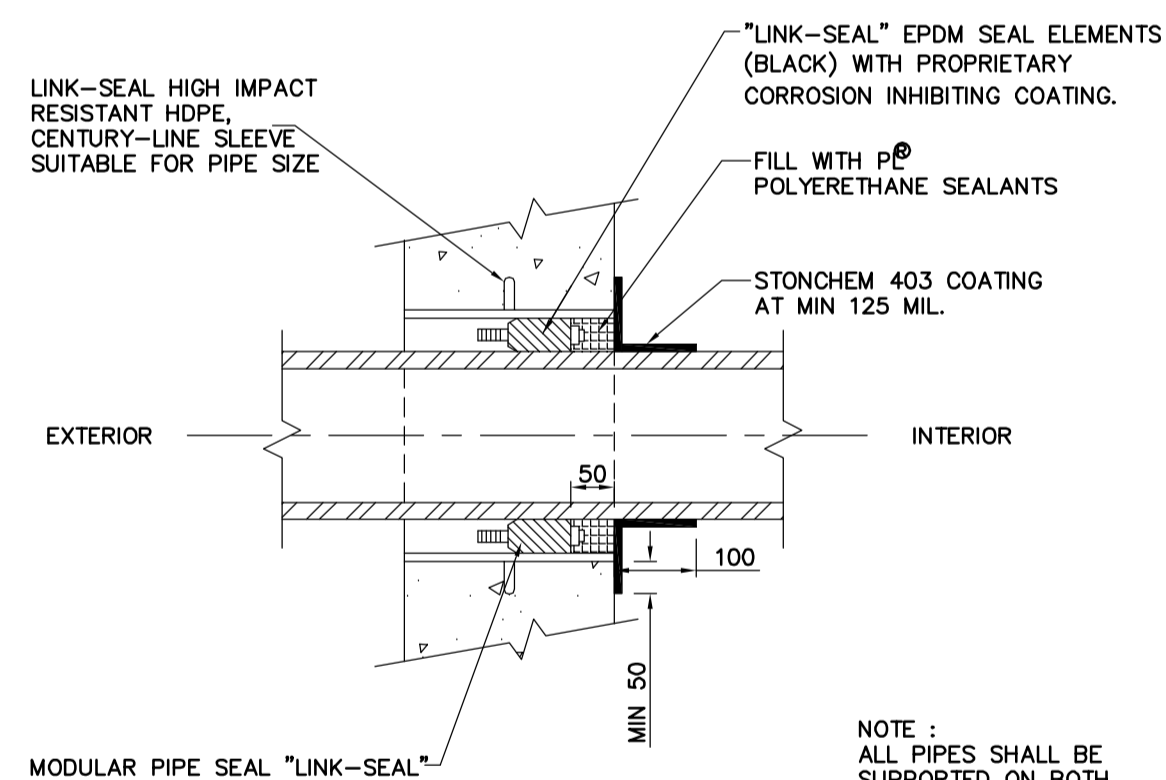


TABLE OF "LINK-SEAL" SERIES FOR STEEL PIPE (FOR OTHER SIZES SEE SUPPLIER'S TABLES)

STEEL PIPE SIZE	ACTUAL O.D. mm	WALL SLEEVE I.D. mm	LINK-SEAL LINKS/ SEAL	MODEL NO.	STEEL PIPE SIZE	ACTUAL O.D. mm	WALL SLEEVE I.D. mm	LINK-SEAL LINKS/ SEAL	MODEL NO.
13	21.3	52.5	4	LS-200-C	250	273.1	336.6	10	LS-425-C
20	26.7	62.7	5	LS-275-C	300	323.9	387.4	12	LS-425-C
25	33.4	62.7	5	LS-200-C	350	355.6	438.2	13	LS-400-C
32	42.2	77.9	7	LS-275-C	400	406.4	489.0	15	LS-400-C
38	48.3	90.1	5	LS-300-C	450	457.2	590.6	16	LS-500-C
50	60.3	102.3	6	LS-300-C	500	508.0	590.6	18	LS-400-C
75	89.0	128.2	8	LS-300-C	600	609.6	743.0	21	LS-500-C
100	114.3	154.1	10	LS-300-C	750	762.0	895.0	26	LS-500-C
125	141.3	202.7	6	LS-425-C	900	914.4	1048.0	30	LS-500-C
150	168.3	254.5	7	LS-400-C	1050	1066.8	1200.0	36	LS-500-C
200	219.1	304.8	12	LS-475-C	1200	1219.2	1353.0	41	LS-500-C

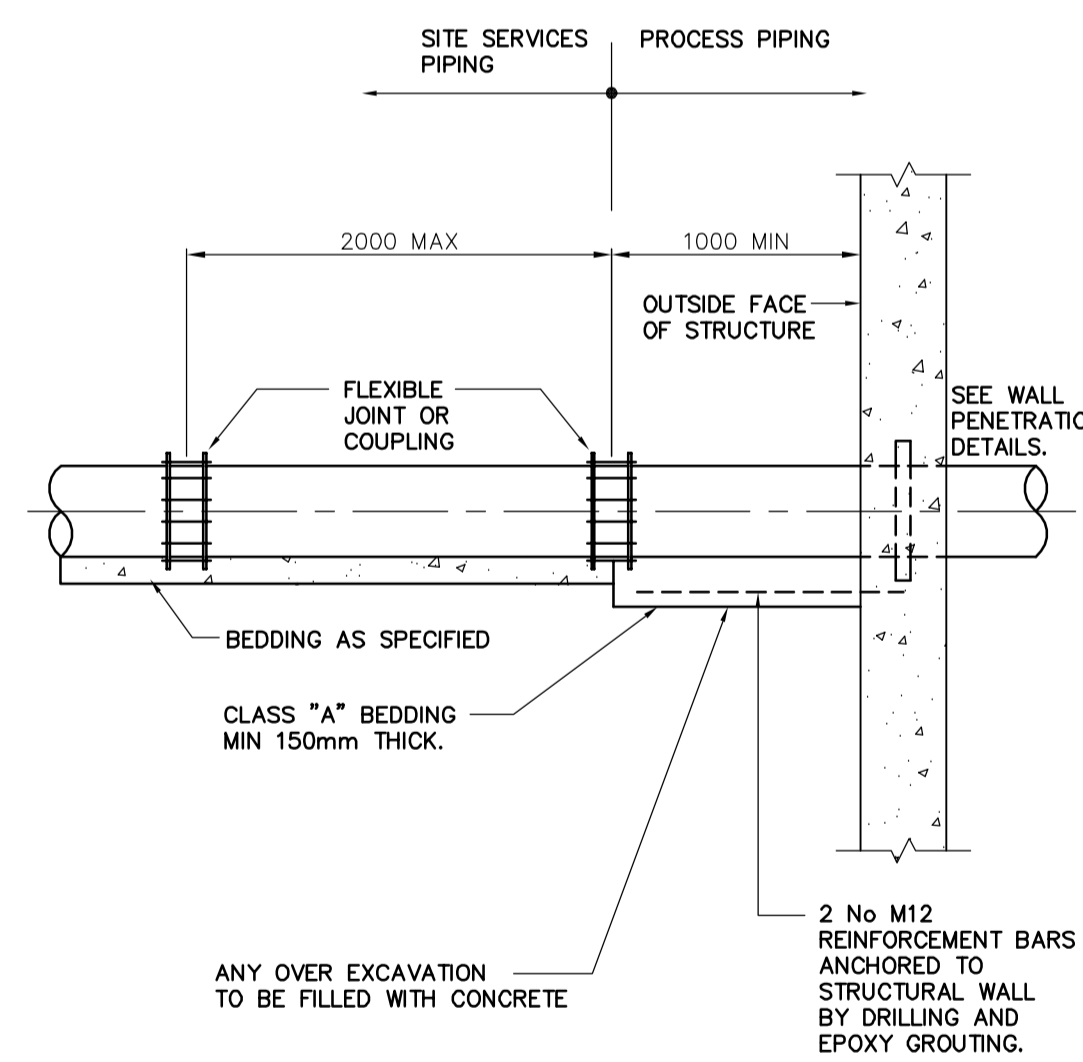
APPLICATION NOTES:
 1. CONCRETE WALL
 2. STEEL, STAINLESS STEEL, DUCTILE IRON, PVC OR FRP PIPE; NON-INSULATED.
 3. CONDITION
 a) DRY TO DRY
 b) INTERIOR TO UNDERGROUND

STD 105 TYPE 5 - SINGLE LINK - SEAL WALL PENETRATION

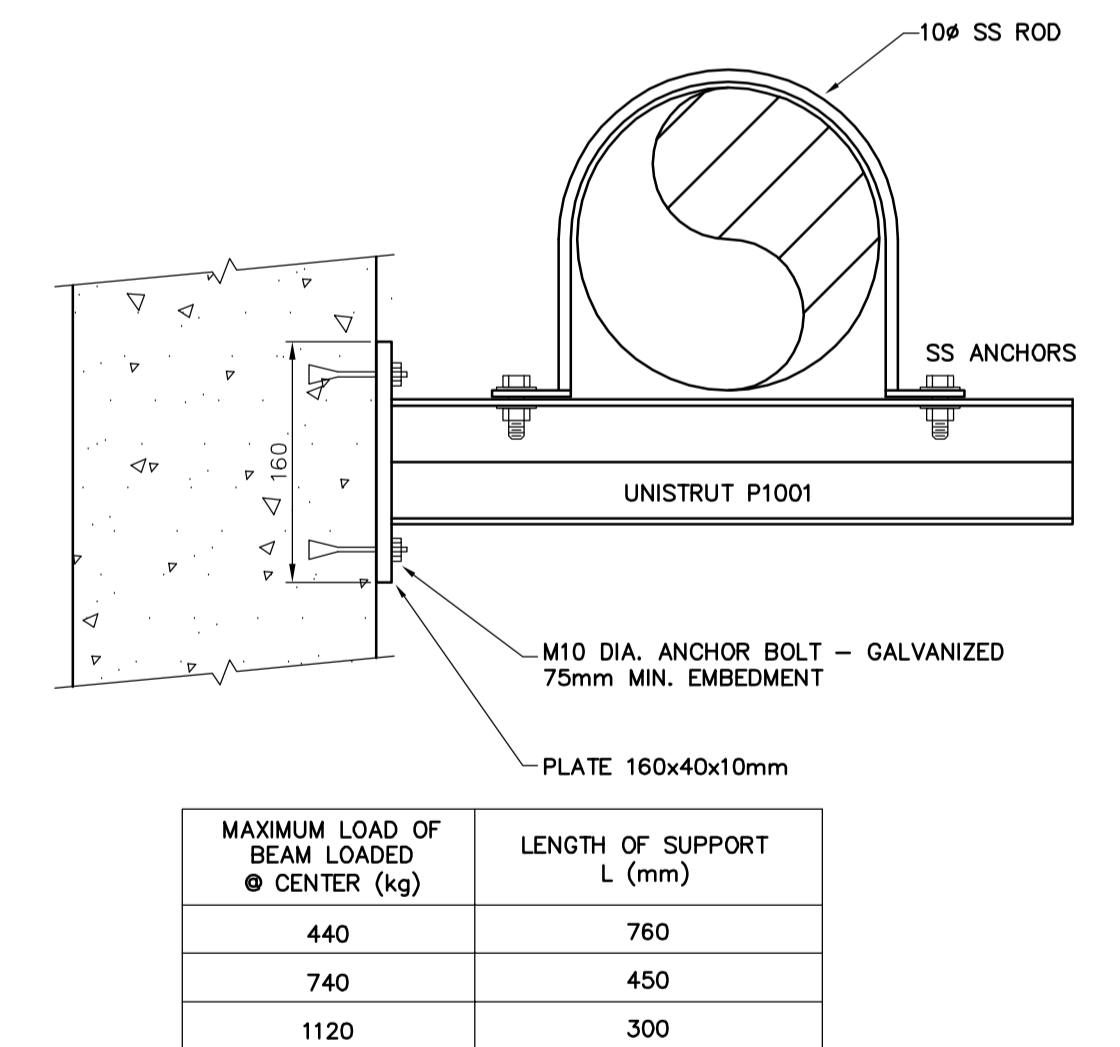


APPLICATION NOTES:
 1. CONCRETE WALL
 2. STEEL, STAINLESS STEEL, DUCTILE IRON, PVC OR FRP PIPE; NON-INSULATED.
 3. CONDITION
 a) INTERIOR TO UNDERGROUND

STD 105A CHEMICAL RESISTANT PENETRATION



STD 108 UNDERGROUND PIPE CONNECTION TO STRUCTURE



STD 201 TYPE 1 WALL MOUNTED PIPE SUPPORT

APEGM
 Certificate of Authorization
 Earth Tech Canada Inc.
 No. 730 Expiry: April 30, 2006

NO.	ISSUED FOR TENDER	DATE	BY
00	ISSUED FOR TENDER	05/12/02	GLG
01	REVISIONS	DATE	BY

EarthTech
 A Tyco International Ltd. Company

DESIGNED BY	LW/SB	CHECKED BY	JEH
DRAWN BY	PJY	APPROVED BY	D. TANIGUCHI
SCALE:	N.T.S.	RELEASED FOR CONSTRUCTION BY:	K. MARTENS
DATE	2005/09/	DATE	05/12/02

ENGINEER'S SEAL
 ORIGINAL SIGNED BY
 J.E. HUTCHISON
 2005/12/02
 CONSULTANT DRAWING NO.
 CP1.01

THE CITY OF WINNIPEG
 WATER AND WASTE DEPARTMENT
 ENGINEERING DIVISION

NEWPCC CENTRATE NUTRIENT TREATMENT
 PHOSPHORUS REMOVAL FACILITY
 CONTRACT No. 1

PROCESS
 STANDARD DETAILS
 SHEET 1 OF 2

CITY FILE NUMBER
 SHEET OF
 CITY DRAWING NUMBER
 1-001F-D-P0001-001-00-D