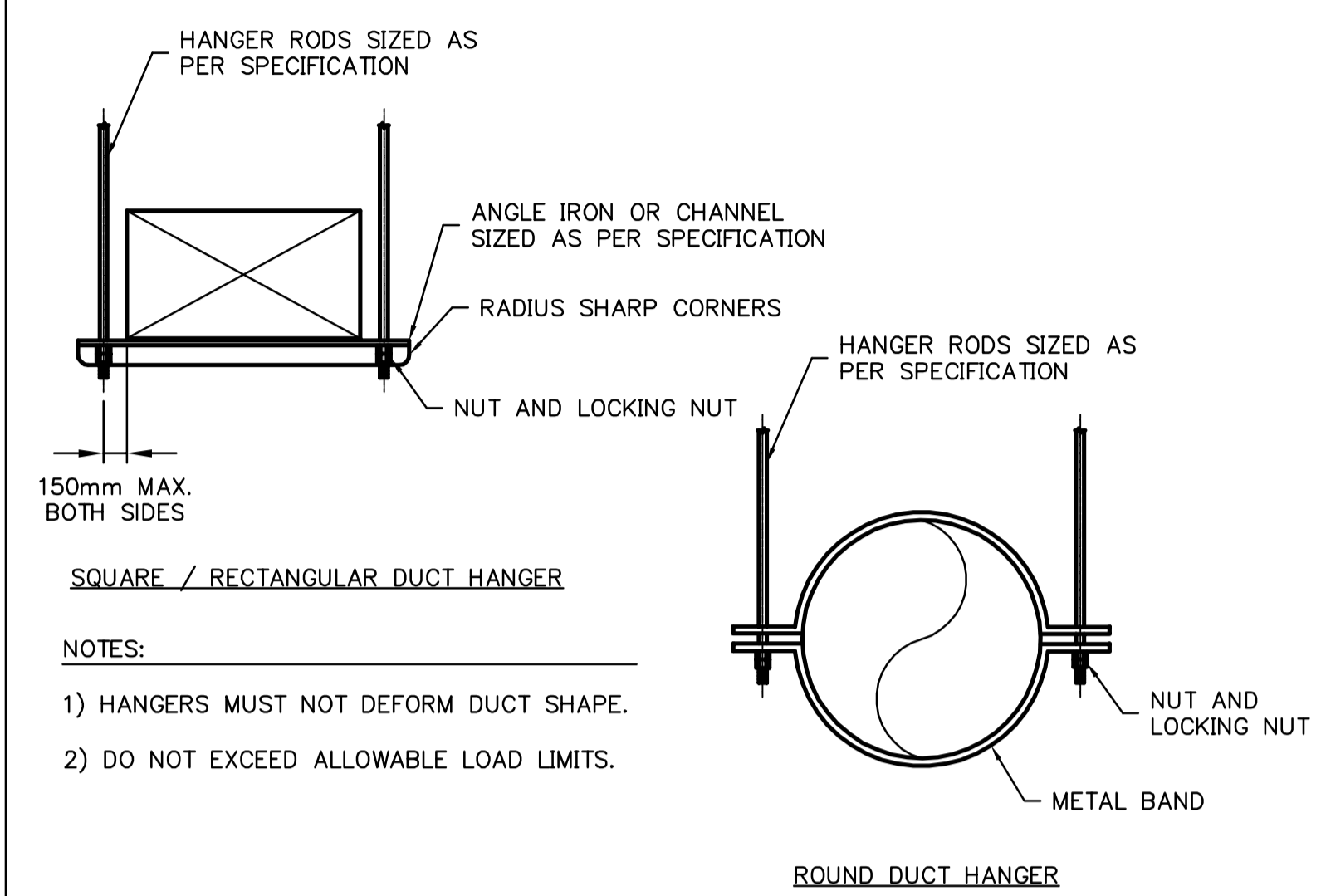
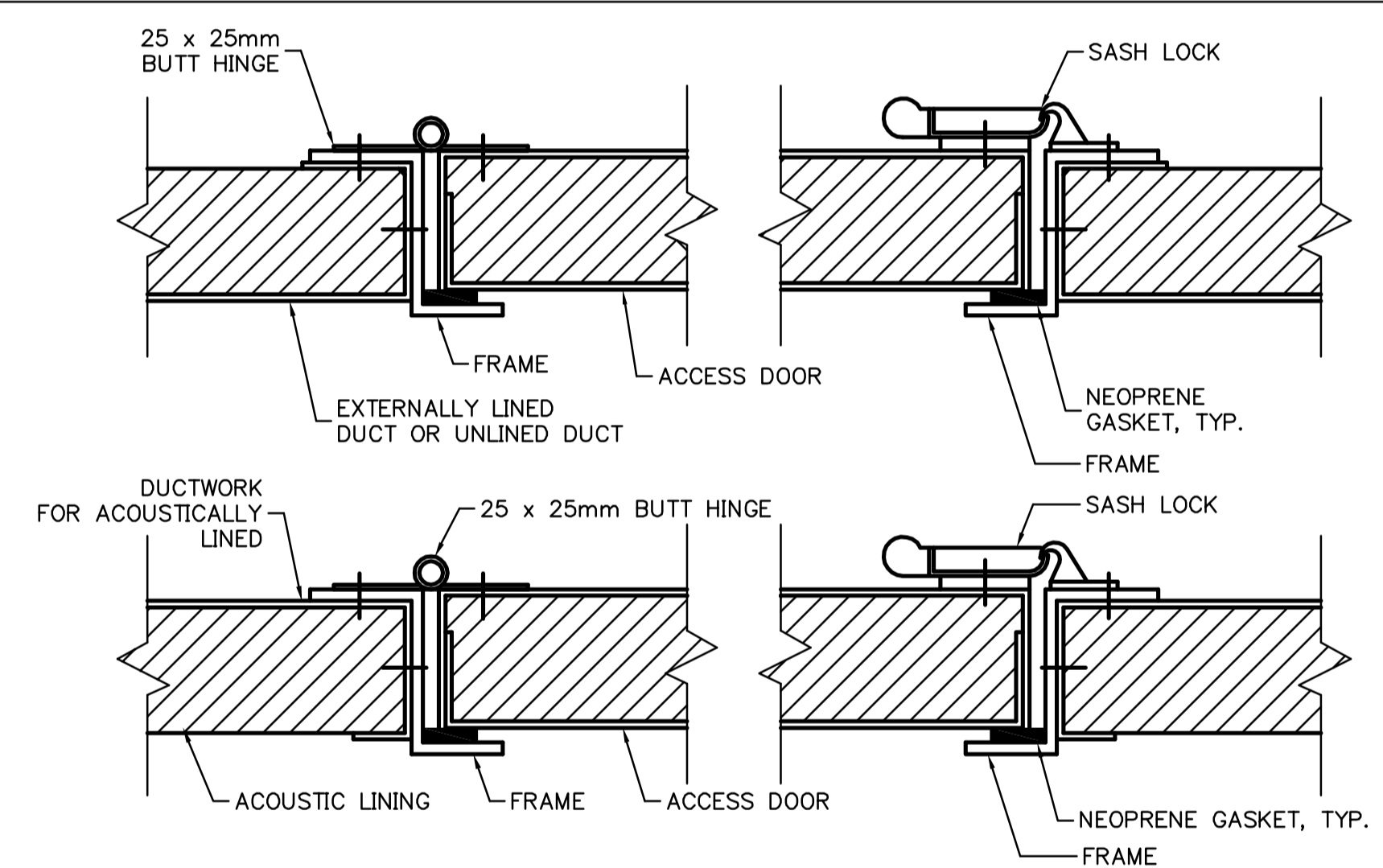
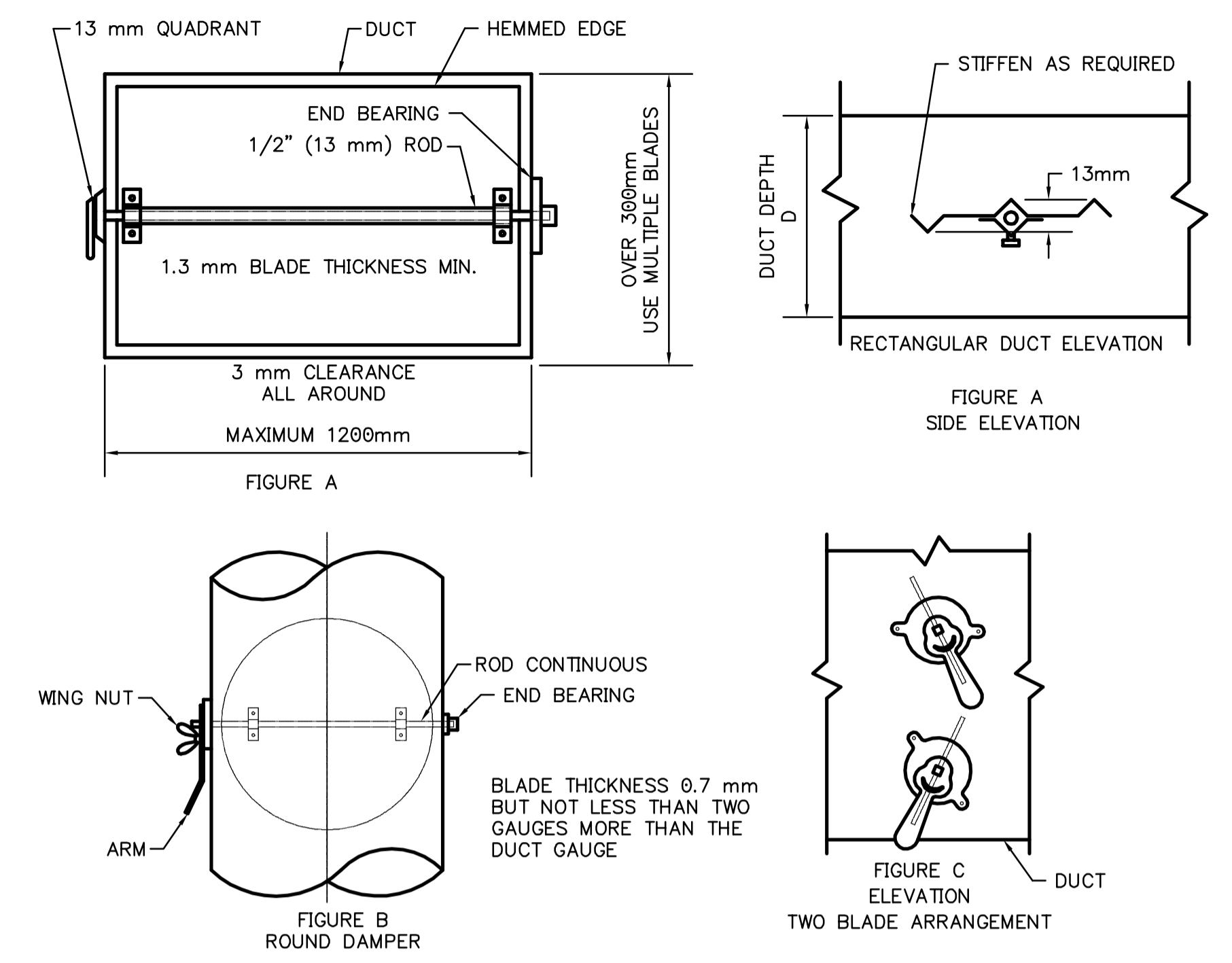


NOTES:  
SECURELY ATTACH ADDITIONAL METAL CLIPS ON FLANGES AT 380 mm MAXIMUM CENTRES FOR 750 Pa STATIC OR LESS AND AT 300 mm MAXIMUM CENTRES FOR HIGHER PRESSURES. 0.85 mm MINIMUM.  
CONTINUOUS CLEATS MAY BE USED.

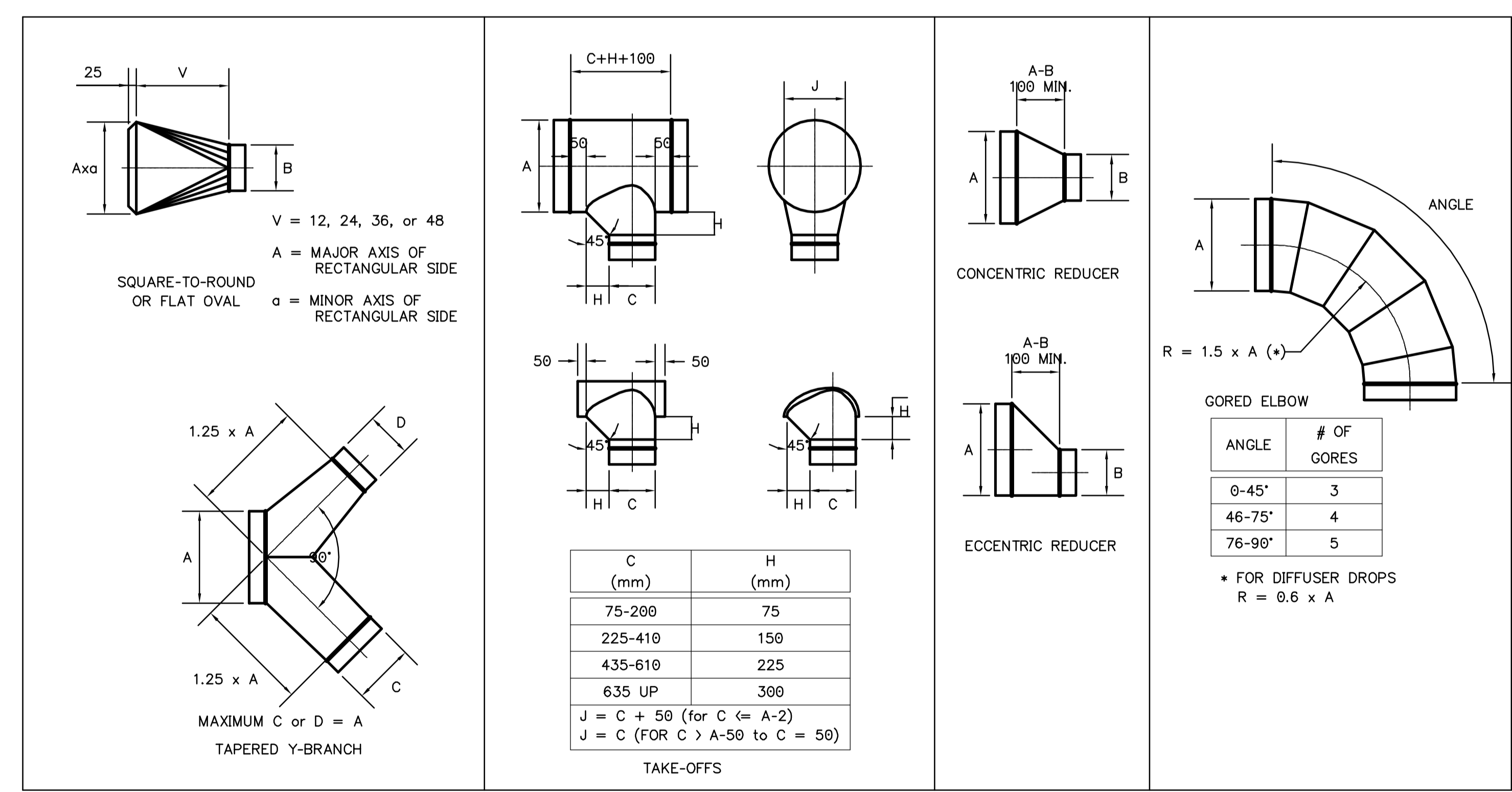


NOTES:  
1) HANGERS MUST NOT DEFORM DUCT SHAPE.  
2) DO NOT EXCEED ALLOWABLE LOAD LIMITS.



STATIC PRESSURE RATING	DOOR SIZE	HINGE QTY.	LOCK QTY.	METAL GAUGE		
				FRAME	DOOR	BACK
500 Pa & LESS	300 x 300	2	1-S	24	26	26
	400 x 500	2	2-S	22	24	26
	600 x 600	3	2-S	22	22	26
UP TO 750 Pa	300 x 300	2	1-S	22	22	26
	400 x 500	2	1-S,1-T,1-B	20	20	26
	600 x 600	3	2-S,1-T,1-B	20	20	24
1000 Pa to 2500 Pa	300 x 300	2	1-S,1-T,1-B	20	20	26
	400 x 500	3	2-S,1-T,1-B	20	18	24
	600 x 600	3	2-S,2-T,2-B	18	18	24

S: SIDE OPPOSITE HINGE, T: TOP, B: BOTTOM



**APEGM**  
Certificate of Authorization  
Earth Tech Canada Inc.  
No. 730 Expiry: April 30, 2006

B.M. ELEV.					
DESIGNED BY	DC	CHECKED BY	AA		
DRAWN BY	DC	APPROVED BY	D. TANIGUCHI		
SCALE:	N.T.S.	RELEASED FOR CONSTRUCTION BY:	K. MARTENS		
NO.	ISSUED FOR TENDER	05/12/02	DC	DATE	2005/09/21
REVISIONS		DATE		DATE	2005/09/21

**EarthTech**  
A Tyco International Ltd. Company

ENGINEER'S SEAL  
ORIGINAL SIGNED BY  
P. TATARYN  
2005/12/02

CONSULTANT DRAWING NO.  
CM4.01

**THE CITY OF WINNIPEG**  
WATER AND WASTE DEPARTMENT  
ENGINEERING DIVISION

NEWPCC CENTRATE NUTRIENT TREATMENT  
PHOSPHORUS REMOVAL FACILITY  
CONTRACT No. 1

CITY FILE NUMBER  
SHEET OF  
CITY DRAWING NUMBER  
1-010F-D-M0002-001-00-D

MECHANICAL  
HVAC DETAILS  
1 OF 2