

**MAIN FLOOR FRAMING PLAN**  
SCALE : 1:50

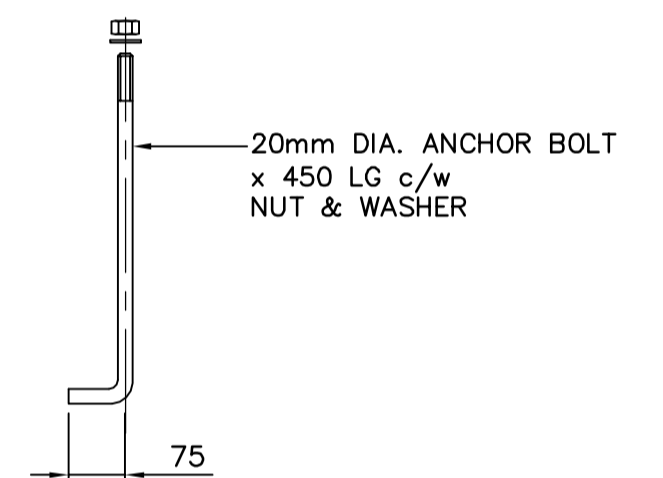
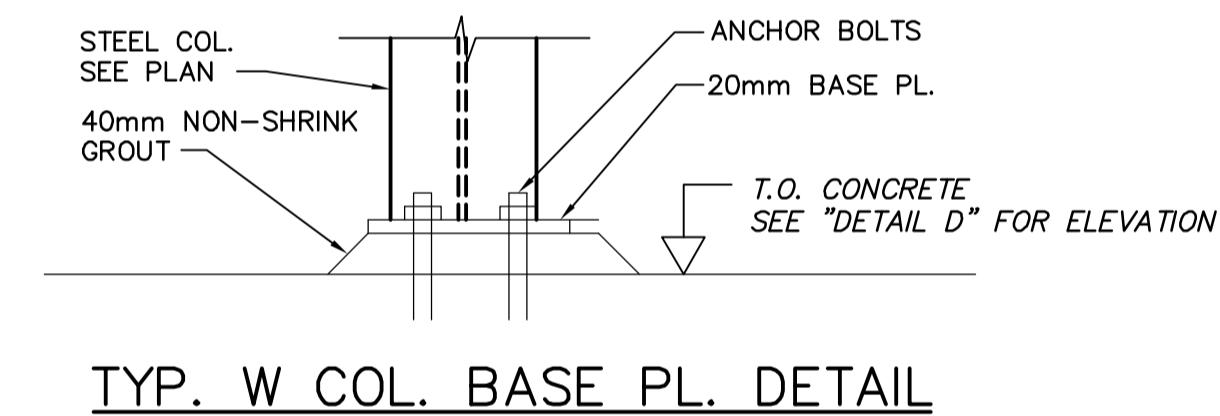
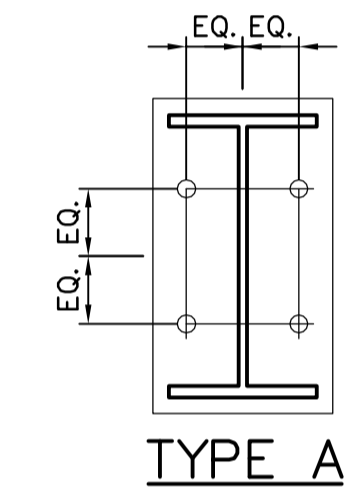
T.O. STEEL EL. 231.090 UNLESS NOTED ON PLAN

MASONRY WALL SCHEDULE				
MARK	SIZE	REINFORCING	TYPE	REMARKS
MW-1	190	20M VERT @ 400		DWL VERT REINF. TO CONC BELOW

STEEL BEAM SCHEDULE			
MARK	SIZE	FINISH	REMARKS
SB-1	W250x80	SPECIAL COATING	REFER TO SPECIFICATION
SB-2	C200x17	SPECIAL COATING	REFER TO SPECIFICATION
SB-3	L100x100x8	SPECIAL COATING	REFER TO SPECIFICATION RADIUS CURVE

STEEL COLUMN SCHEDULE							
MARK	SIZE	FINISH	BASE PLATE		U/S BASE PLATE EL.	ANCHOR BOLTS	REMARKS
			TYPE	SIZE			
SC-1	W250x80		A	320x320	230.915	4-20#	

NOTE:  
1. ALL ANCHOR BOLTS ARE 20mmØ x450 LG. WITH A 75 HOOK.



- DRAWING NOTES:
- REFER TO DRAWING S7.01 FOR GRID LINE DIMENSIONS.
  - TRIM FRP GRATING AROUND COLUMN & FLOOR PENETRATION WITHIN 25mm.



NO.	ISSUED FOR TENDER	05/12/2	CT
00	ISSUED FOR TENDER	05/12/2	CT
	REVISIONS	DATE	BY



DESIGNED BY	AP/GGP	CHECKED BY	MK
DRAWN BY	CT	APPROVED BY	D. TANIGUCHI
SCALE:	AS NOTED	RELEASED FOR CONSTRUCTION BY:	K. MARTENS
DATE	2005/09/07	DATE	05/12/02

ENGINEER'S SEAL  
ORIGINAL SIGNED BY  
M. KLASSON  
2005/12/02  
CONSULTANT DRAWING NO.  
CS7.03

**THE CITY OF WINNIPEG**  
WATER AND WASTE DEPARTMENT  
ENGINEERING DIVISION

NEWPCC CENTRATE NUTRIENT TREATMENT  
PHOSPHORUS REMOVAL FACILITY  
CONTRACT No. 1

STRUCTURAL  
CHEMICAL STORAGE BUILDING  
MAIN FLOOR FRAMING PLAN AND SCHEDULES

CITY FILE NUMBER  
SHEET OF  
CITY DRAWING NUMBER  
1-00F-B-80005-001-00-D