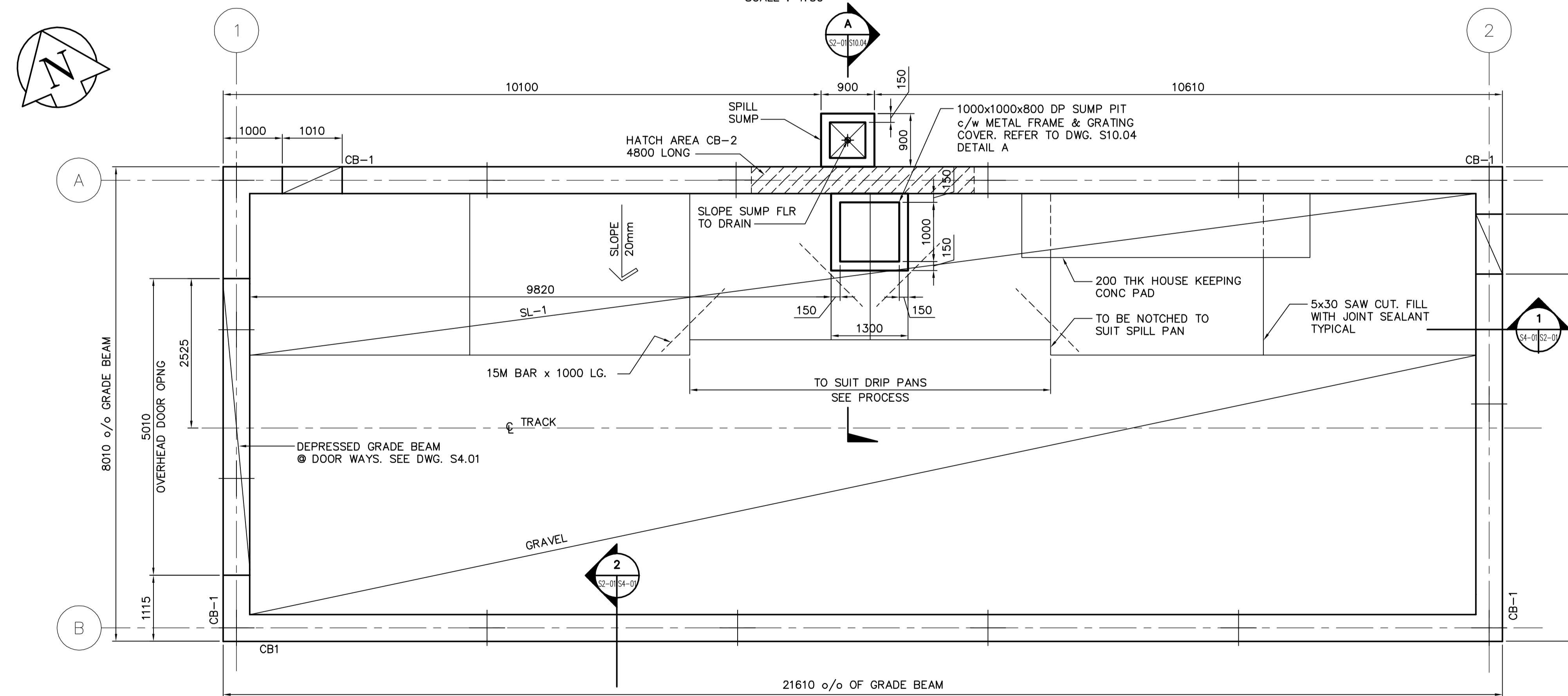


**PILING PLAN**  
SCALE : 1:50

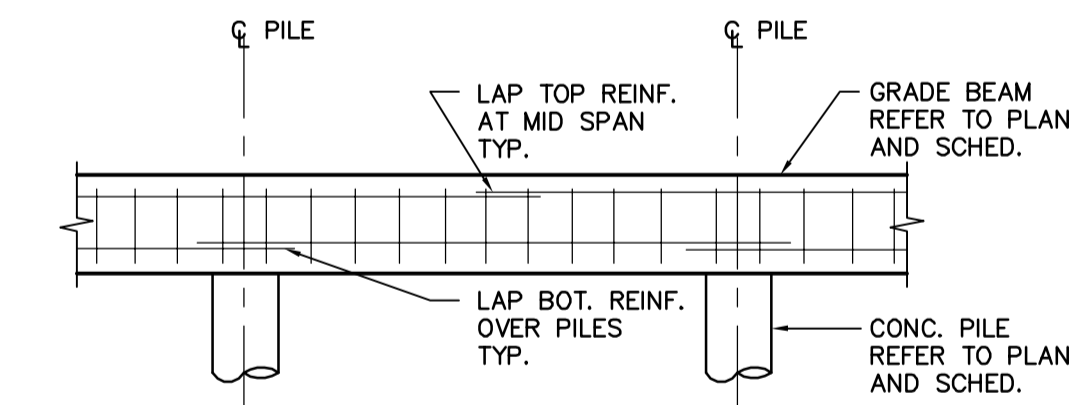
PRE-CAST CONCRETE PILE SCHEDULE			
MARK	DIAMETER	CUT-OFF	REMARKS
P-1	400	231.075	PRECAST PILE

CONCRETE SLAB SCHEDULE				
MARK	DEPTH	REINFORCING		REMARKS
		TOP	BOTTOM	
SL-1	200	15M @ 300 EACH WAY	MID	SLAB FINISH - STEEL TROWEL FINISH AND SPECIAL COATING W/ ANTI SLIP GRIT

CONCRETE BEAM SCHEDULE							
MARK	WIDTH	DEPTH	REINFORCING			ADDITIONAL	REMARKS
			TOP	MIDDLE	BOTTOM		
CB-1	450	1200	4-25M	1-15M E.F.	4-25M	10M @ 300 o/c	SEE PLAN & DETAIL
CB-2	450	1950	4-25M	1-15M E.F.	4-25M	10M @ 300 o/c	SEE PLAN & DETAIL



**FOUNDATION PLAN**  
SCALE : 1:50



**GRADE BEAM SPLICE DETAIL**  
SCALE N.T.S.



NO.	REVISIONS	DATE	BY
00	ISSUED FOR TENDER	05/12/2	WDB

**EarthTech**  
A Tyco International Ltd. Company

DESIGNED BY: AP/GGP	CHECKED BY: MK
DRAWN BY: WDB	APPROVED BY: D. TANIGUCHI
SCALE: AS NOTED	RELEASED FOR CONSTRUCTION BY: K. MARTENS

DATE: 2005/09/09 DATE: 05/12/02

ENGINEER'S SEAL  
ORIGINAL SIGNED BY: M. KLASSON  
2005/12/02  
CONSULTANT DRAWING NO. CS2.01

**THE CITY OF WINNIPEG**  
WATER AND WASTE DEPARTMENT  
ENGINEERING DIVISION

NEWPCC CENTRATE NUTRIENT TREATMENT  
PHOSPHORUS REMOVAL FACILITY  
CONTRACT No. 1

STRUCTURAL  
RAILCAR SHELTER  
PILING PLAN AND FOUNDATION PLAN

CITY FILE NUMBER  
SHEET OF  
CITY DRAWING NUMBER  
**1-001F-B-80001-001-00-D**