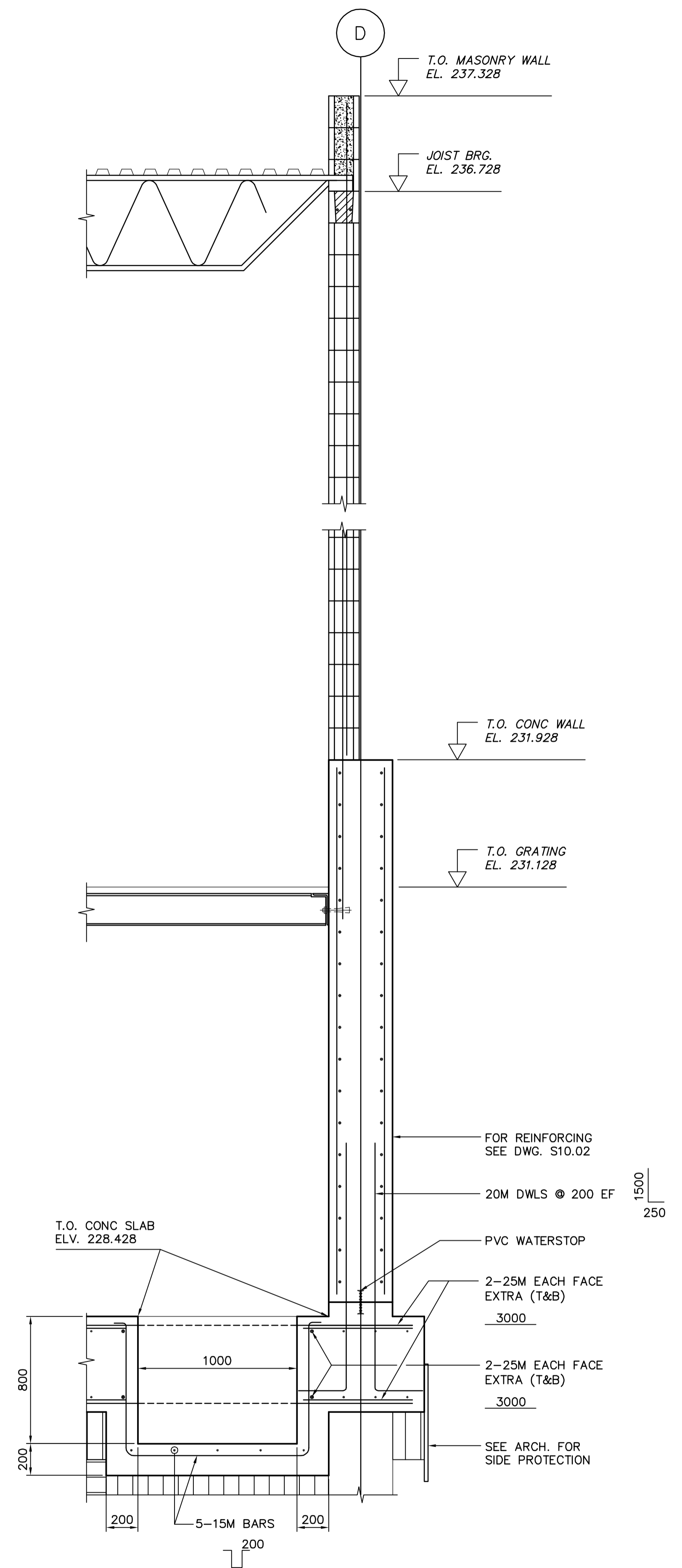


**J** DETAIL  
 10.03/09.02 SCALE 1:20



**K** DETAIL  
 10.03/09.02 SCALE 1:20

**APEGM**  
 Certificate of Authorization  
 Earth Tech Canada Inc.  
 No. 730 Expiry: April 30, 2006

B.M. ELEV.			
DESIGNED BY	AP/GGP	CHECKED BY	MK
DRAWN BY	WDB	APPROVED BY	D. TANIGUCHI
SCALE:	AS NOTED	RELEASED FOR CONSTRUCTION BY:	K. MARTENS
NO.	ISSUED FOR TENDER	DATE	05/12/2
REVISIONS		DATE	2005/10/24

**EarthTech**  
 A Tyco International Ltd. Company

ENGINEER'S SEAL	ORIGINAL SIGNED BY	M. KLASSON	2005/12/02
CONSULTANT DRAWING NO.	CS10.03		

**THE CITY OF WINNIPEG**  
 WATER AND WASTE DEPARTMENT  
 ENGINEERING DIVISION

NEWPCC CENTRATE NUTRIENT TREATMENT  
 PHOSPHORUS REMOVAL FACILITY  
 CONTRACT No. 1

STRUCTURAL  
 CHEMICAL STORAGE BUILDING  
 SECTIONS AND DETAILS

CITY FILE NUMBER  
 SHEET OF  
 CITY DRAWING NUMBER  
**1-00F-A-80007-001-00-D**