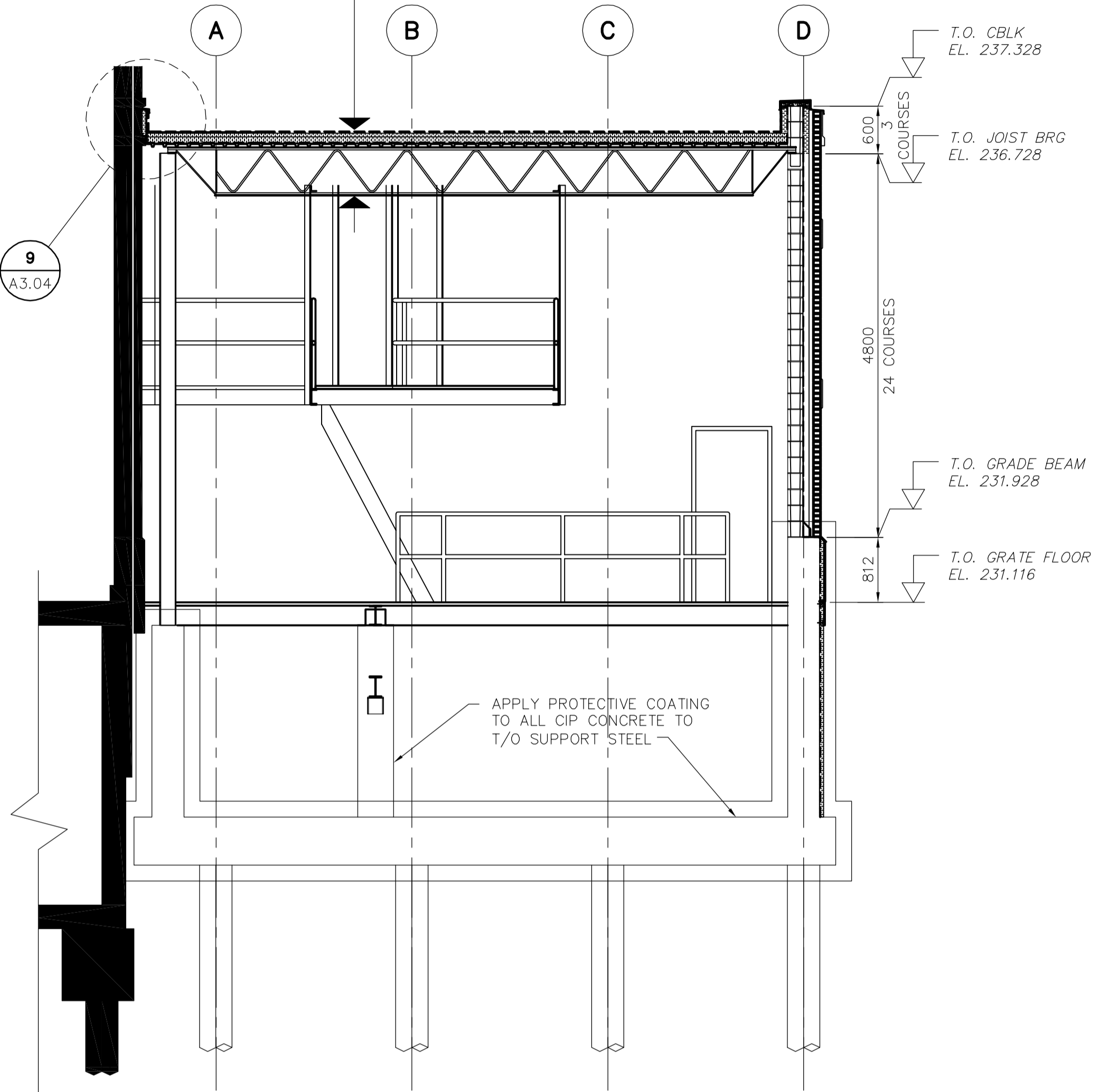


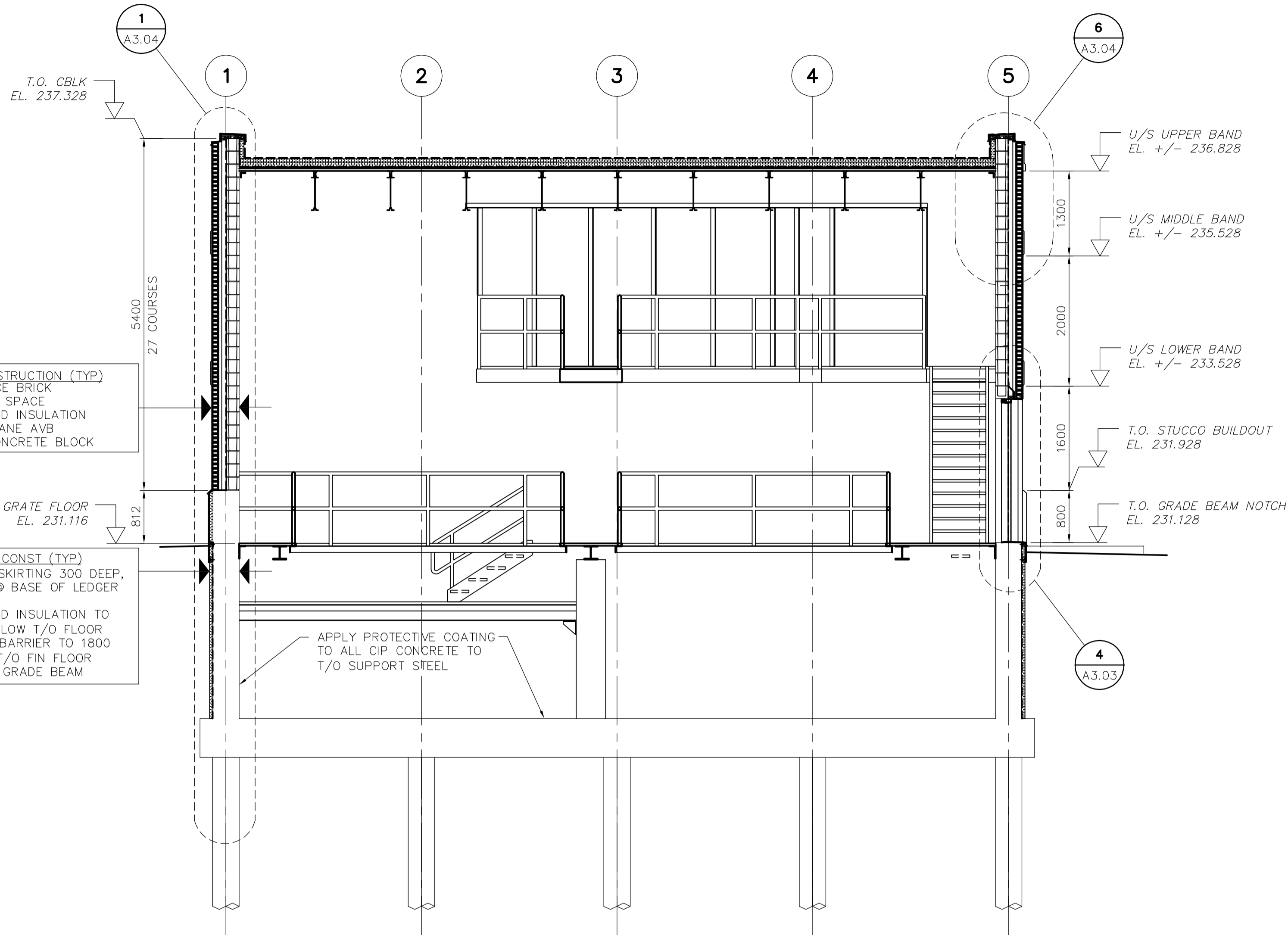
ROOF CONSTRUCTION (TYP)
 2-PLY MOD-BIT MEMBRANE RFG
 (2) LAYERS RECOVERY BOARD
 125mm RIGID TYPE 4 INSULATION
 TORCH-ON MEMBRANE AVB
 13mm EXTERIOR DRYWALL
 38mm METAL ROOF DECKING
 METAL ROOF JOISTS



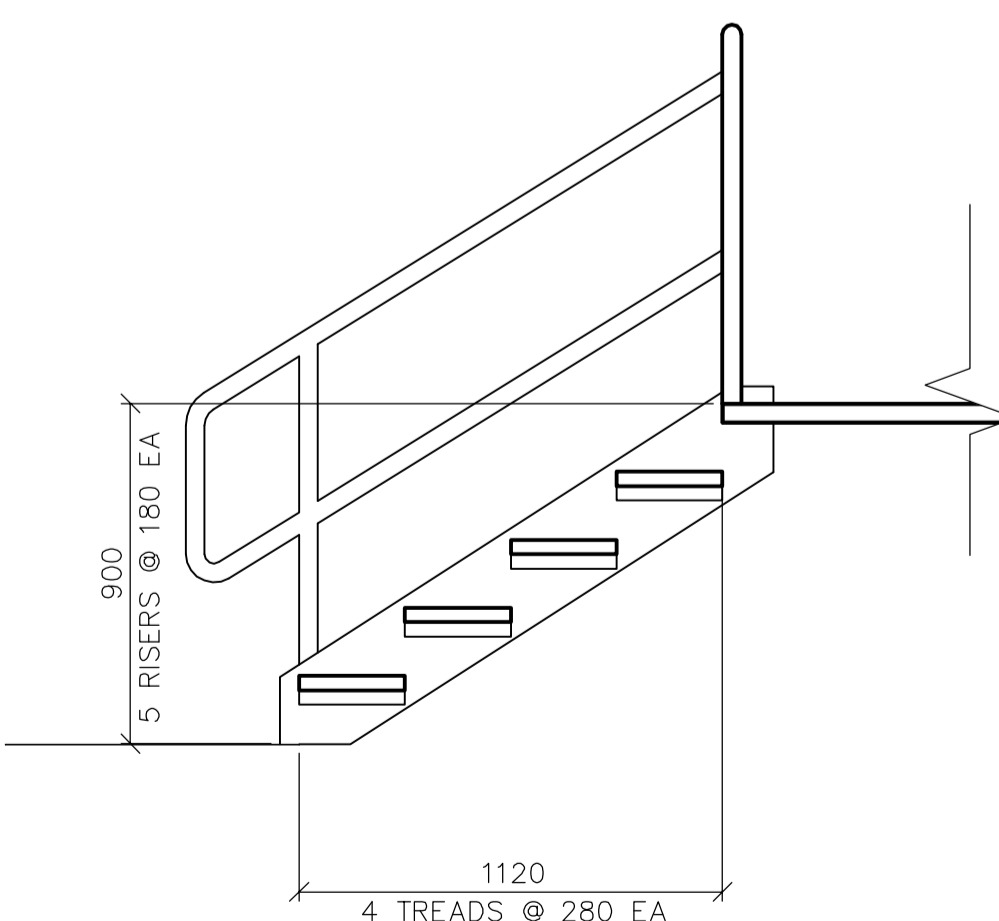
1 BUILDING SECTION
 SCALE 1:50

WALL CONSTRUCTION (TYP)
 90mm FACE BRICK
 55mm AIR SPACE
 75mm RIGID INSULATION
 SA MEMBRANE AVB
 190mm CONCRETE BLOCK

FDN. WALL CONST. (TYP)
 20 GA GI SKIRTING 300 DEEP,
 START @ BASE OF LEDGER
 ANGLE
 50mm RIGID INSULATION TO
 1800 BELOW T/O FLOOR
 MOISTURE BARRIER TO 1800
 BELOW T/O FIN FLOOR
 CONCRETE GRADE BEAM

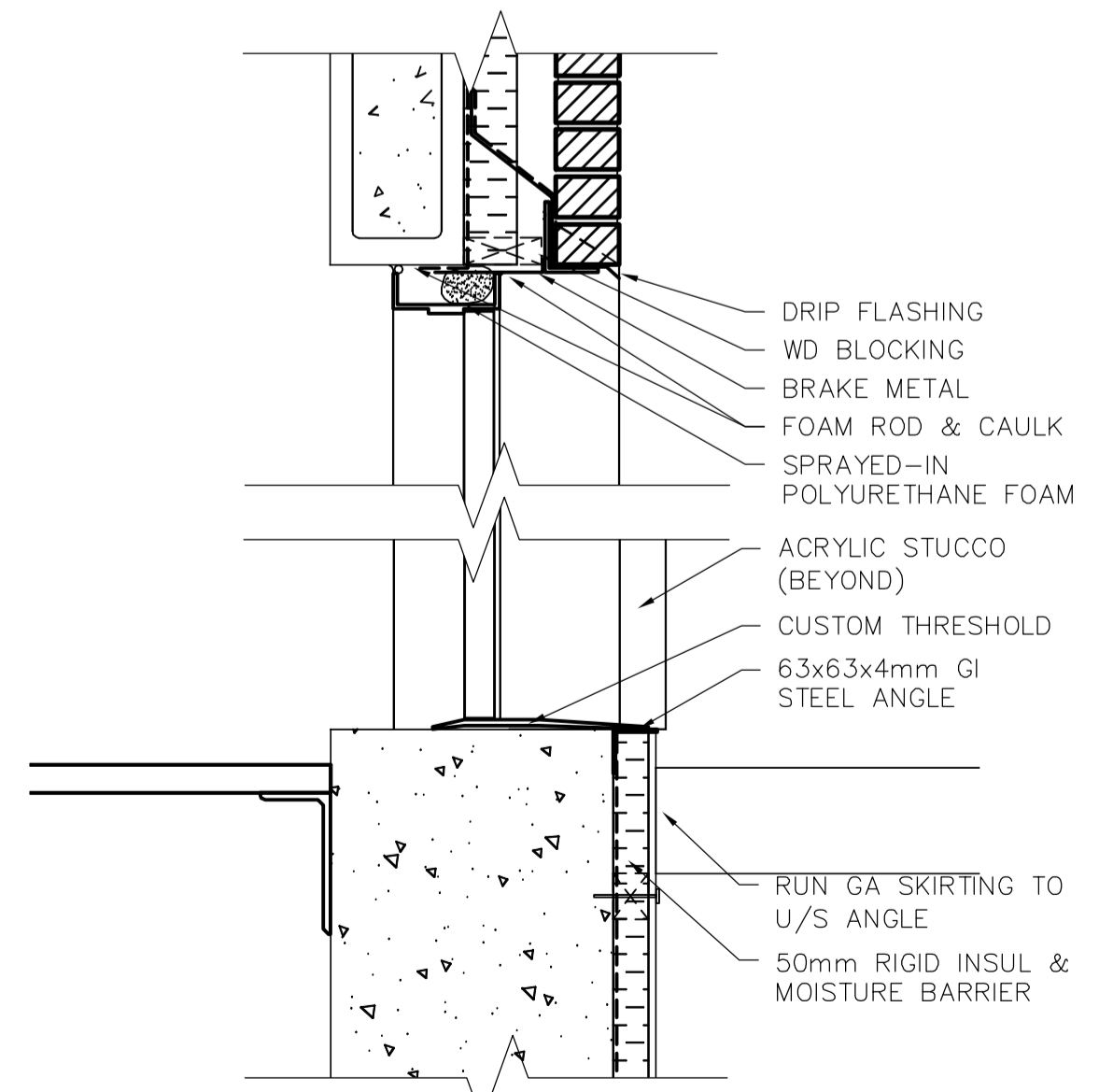


2 BUILDING SECTION - TRANSVERSE
 SCALE 1:50



NOTE: SEE STRUCTURAL FOR STAIR DETAILS

3 STAIR DETAIL
 SCALE 1:20



4 DOOR HEAD/SILL DETAIL
 SCALE 1:10



NO.	REVISIONS	DATE	BY
00	ISSUED FOR TENDER	05/12/2	LK

EarthTech A Tyco International Ltd. Company	
DESIGNED BY: NC	CHECKED BY: NC
DRAWN BY: LK	APPROVED BY: D. TANIGUCHI
SCALE: AS SHOWN	RELEASED FOR CONSTRUCTION BY: K. MARTENS
DATE: 2005/09/28	DATE: 05/12/02

ENGINEER'S SEAL
PROVINCE OF MANITOBA ORIGINAL DESIGNER BY NEIL COOPER ARCHITECT INC. No. 090 REGISTERED ARCHITECTURAL CORPORATION
CONSULTANT DRAWING NO. CA3.03

THE CITY OF WINNIPEG
 WATER AND WASTE DEPARTMENT
 ENGINEERING DIVISION

NEWPCC CENTRATE NUTRIENT TREATMENT
 PHOSPHORUS REMOVAL FACILITY
 CONTRACT No. 1

ARCHITECTURAL
 CHEMICAL STORAGE BUILDING
 BUILDING SECTIONS

CITY FILE NUMBER
 SHEET 3 OF 4
 CITY DRAWING NUMBER
1-010F-A-80007-001-00-D