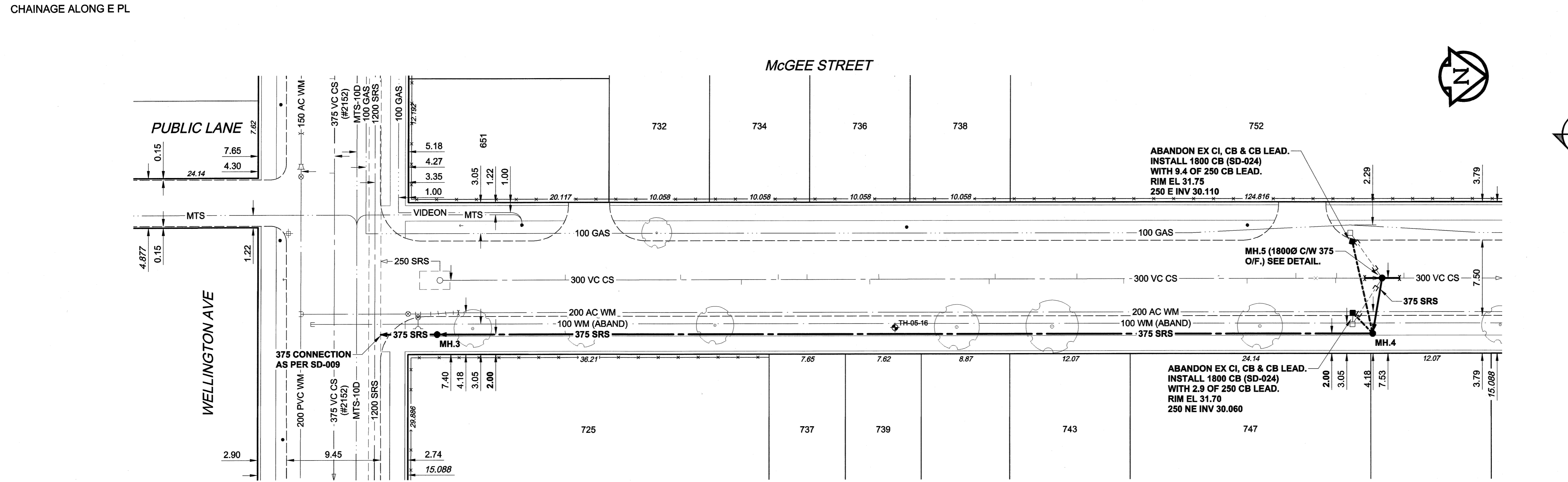
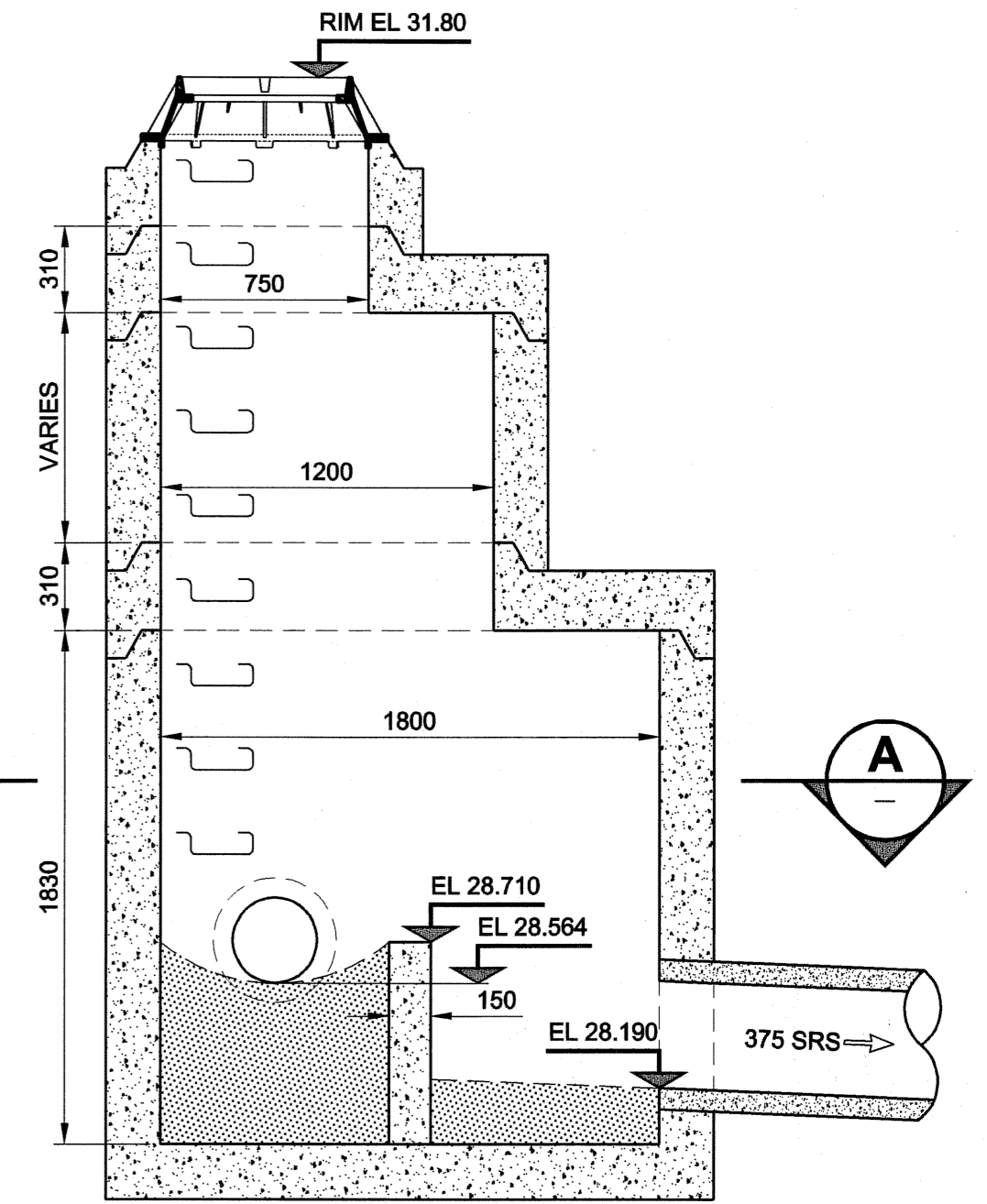
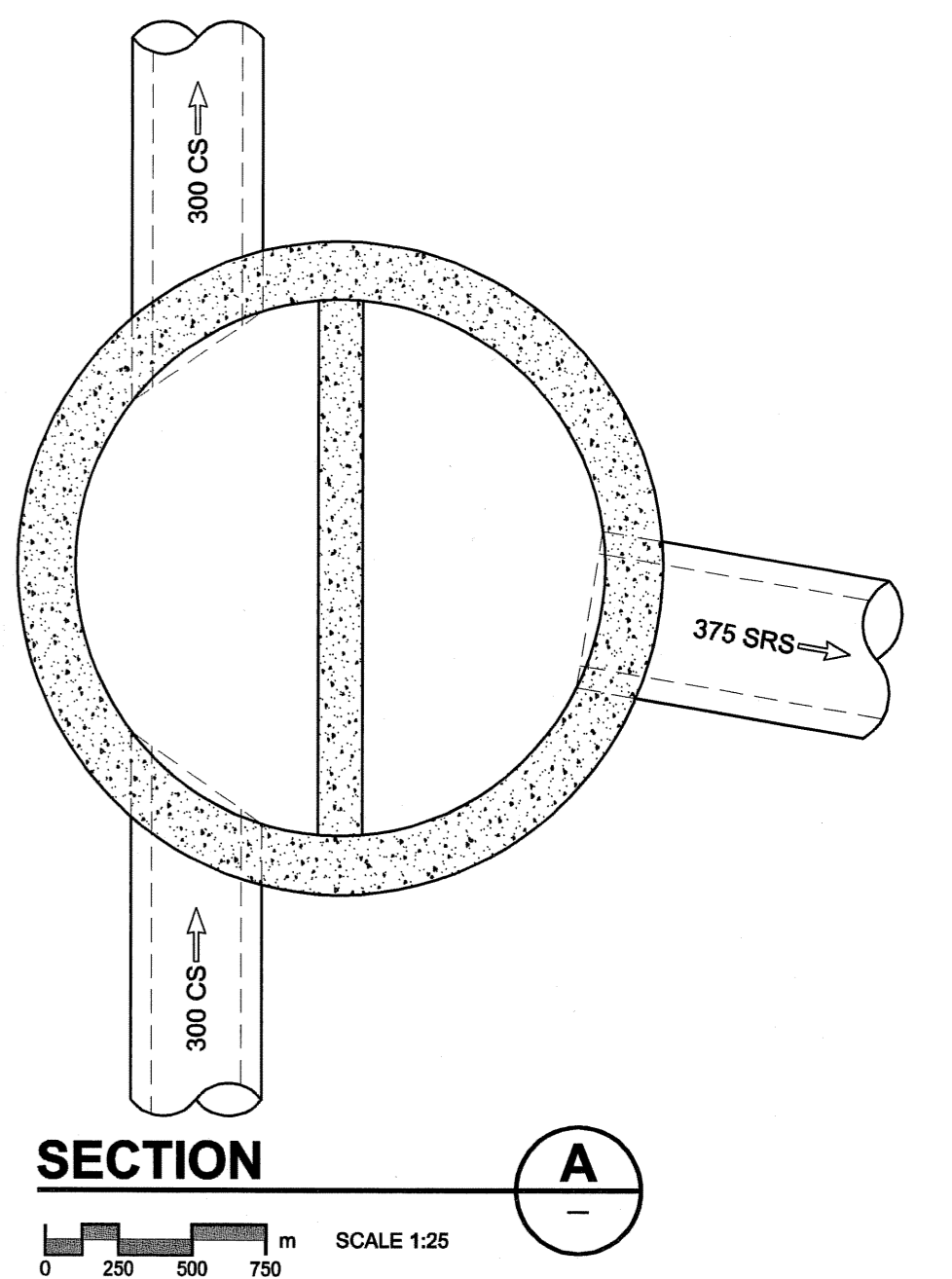
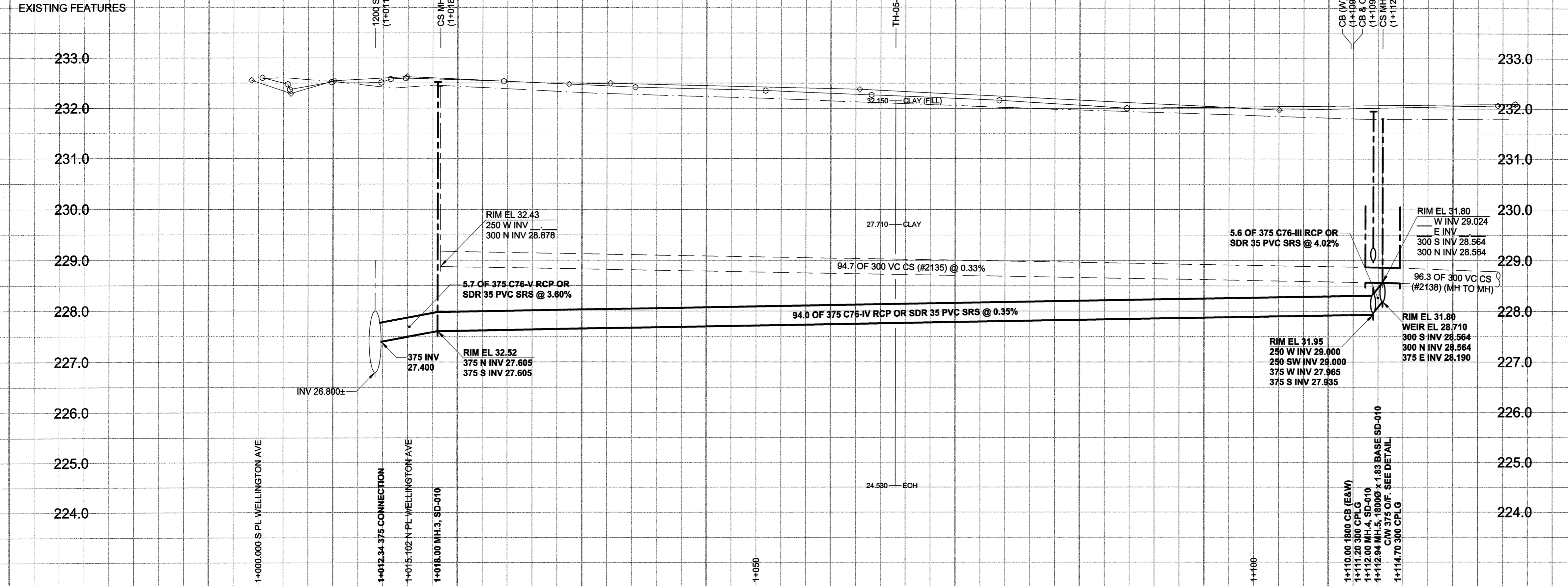


D SIZE 22" x 34" 650mm x 864mm

PLOT: 05/11/01 11:03:05 AM

UMA FILE NAME: D265-177-02_02-C-1003_RX.dwg, Saved By: aleppj



WARNING
 IF POWER EQUIPMENT OR EXPLOSIVES ARE TO BE USED FOR EXCAVATION ON THIS PROJECT, THE CONTRACTOR MUST:
 1) NOTIFY THE GAS COMPANY OF THE PROPOSED LOCATION OF EXCAVATION.
 2) TAKE PRECAUTION TO AVOID DAMAGE TO GAS COMPANY INSTALLATIONS.
 SEE PROVINCIAL REGULATION 140/92 FOR DETAILS

150 mm WM		150 mm WM		CURB STOP		150 mm WM		150 mm WM		150 mm WM	
	HYDRANT		VALVE		REDUCER		COUPLING		LAND DRAINAGE SEWER		WASTE WATER SEWER
	MANHOLE		CATCH BASIN		MTS		GAS		PAVEMENT CROWN		N/W PROPERTY LINE
	CURB INLET		CULVERT		TESTHOLE		LAMP STANDARD		S/E PROPERTY LINE		N/W GUTTER
	PIPE ABANDONMENTS		SURVEY BAR		TREE				S/E GUTTER		
	EXISTING		NEW		EXISTING		NEW		EXISTING		NEW

LOCATION APPROVED
 UNDERGROUND STRUCTURES

SUPR. U/G STRUCTURES DATE COMMITTEE

NOTE:
 LOCATION OF UNDERGROUND STRUCTURES AS SHOWN ARE BASED ON THE BEST INFORMATION AVAILABLE. BUT NO GUARANTEE IS GIVEN THAT ALL EXISTING UTILITIES ARE SHOWN OR THAT THE GIVEN LOCATIONS ARE EXACT. CONFIRMATION OF EXISTENCE AND EXACT LOCATION OF ALL SERVICES MUST BE OBTAINED FROM THE INDIVIDUAL UTILITIES BEFORE PROCEEDING WITH CONSTRUCTION.

BM 36-057 ELEV 232.727m	N.E. Cor. Wellington Ave. & McGee St. T.M. in E. Conc. foundation No. 725 McGee St. 1m N. & 0.1m below brick of S.E. Cor. of Bldg.		
NO.	REVISIONS	DATE	BY
0	ISSUED FOR CONSTRUCTION	05/11/03	ADL

DESIGNED BY	GEB	CHECKED BY	
DRAWN BY	ADL	APPROVED BY	
HOR. SCALE	1:250	RELEASED FOR CONSTRUCTION	
VERT. SCALE	1:50	DATE	05/11/03

METRIC
 WHOLE NUMBERS INDICATE MILLIMETRES
 DECIMAL NUMBERS INDICATE METRES

UMA | AECOM

© 2005 UMA ENGINEERING LTD. ALL RIGHTS RESERVED.

PROFESSIONAL'S SEAL
 PROVINCE OF MANITOBA
 REGISTERED PROFESSIONAL ENGINEER
 A. NAGY
 Nov. 3, 2005
 CONSULTANT DRAWING NO. 3
 D265-177-02

THE CITY OF WINNIPEG
 WATER AND WASTE DEPARTMENT

ALEXANDER/BANNATYNE
 COMBINED SEWER RELIEF
 CONTRACT 2B
 MCGEE STREET
 WELLINGTON AVENUE
 TO 70m SOUTH OF NOTRE DAME AVENUE

SHEET 3 OF 17
 CITY DRAWING NUMBER
LD-3206
 REV 0

BID OPPORTUNITY NO. 584-2005