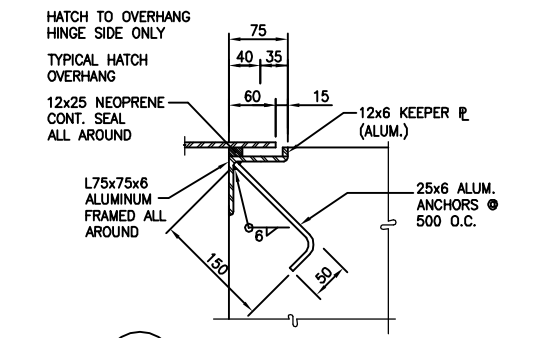
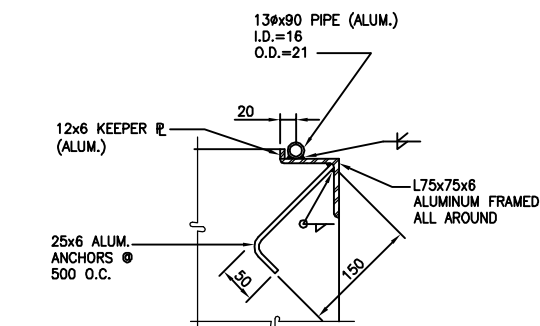


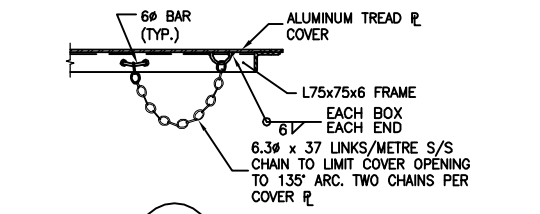
**A** HATCH COVER BOLT DOWN SECTION  
1:5



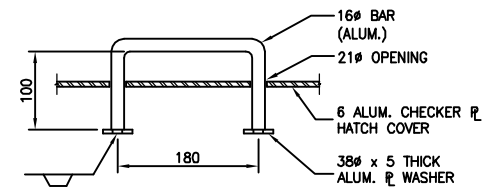
**B** HATCH SUPPORT SECTION  
1:5



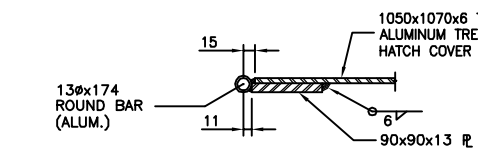
**C** SECTION  
1:5



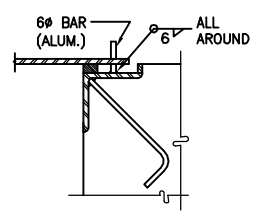
**D** SECTION  
1:10



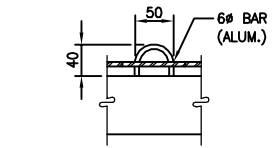
**E** SECTION  
1:5



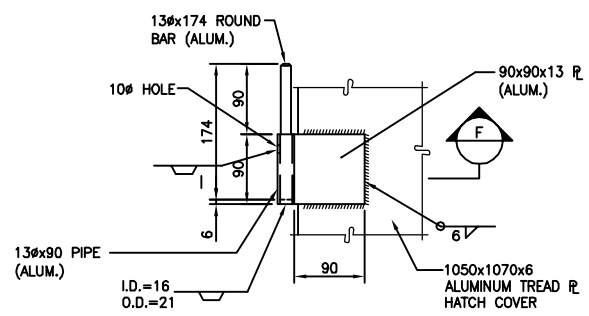
**F** SECTION  
1:5



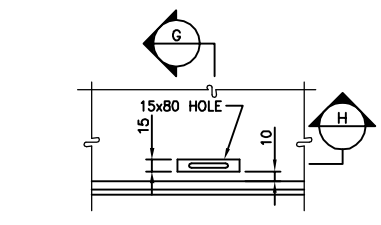
**G** SECTION  
1:5



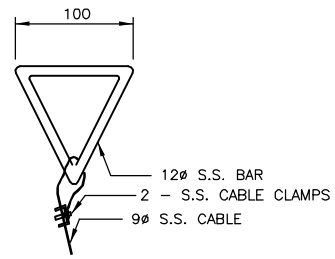
**H** SECTION  
1:5



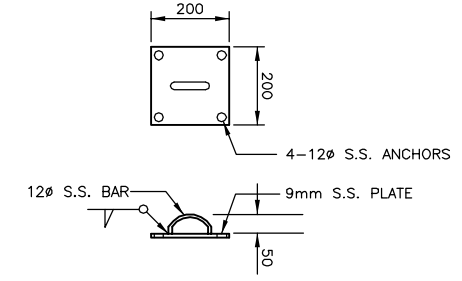
**I** DETAIL  
1:5



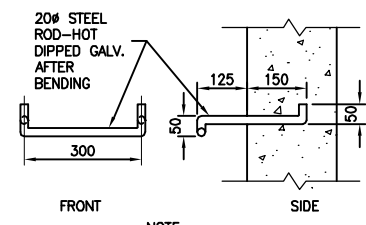
**J** HATCH LOCK HASP PLAN  
1:5



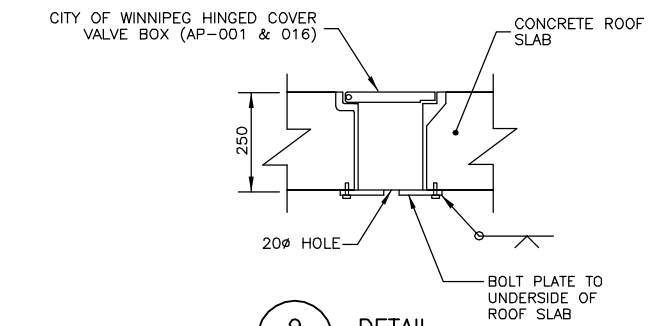
**K** DETAIL  
N.T.S.



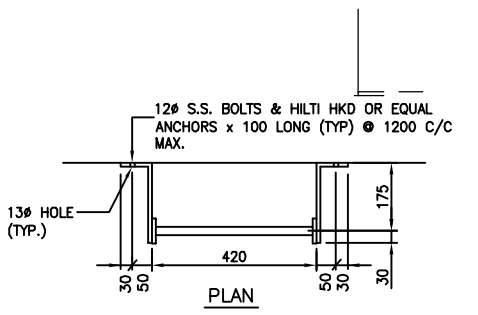
**L** DETAIL  
N.T.S.



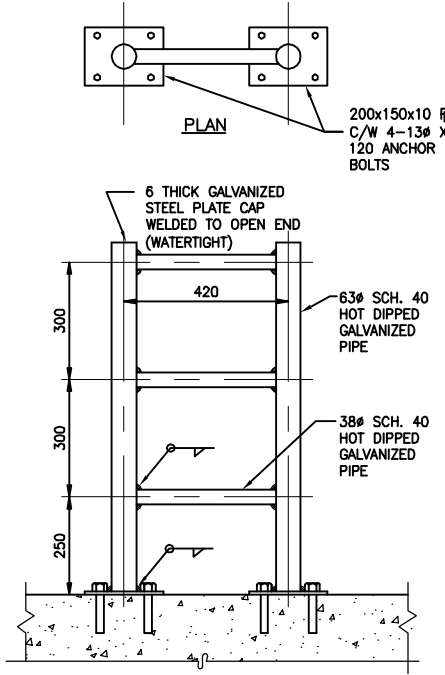
**M** TYPICAL LADDER RUNG DETAIL  
1:10



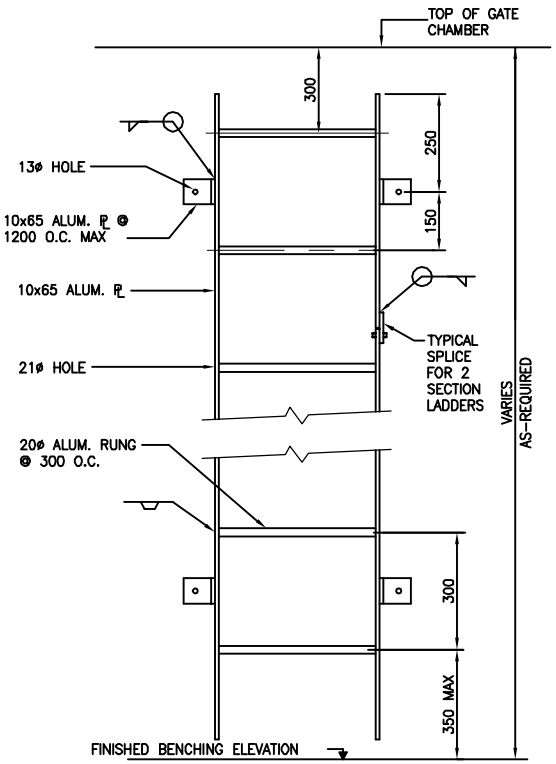
**N** DETAIL  
N.T.S.



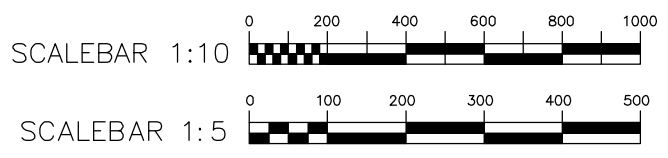
**O** PLAN



**P** ELEVATION  
HAND HOLD DETAIL  
1:10



**Q** LADDER DETAIL  
1:10



NOTE: ALL NUTS, BOLTS AND FASTENERS TO BE TYPE 316 STAINLESS STEEL

METRIC  
WHOLE NUMBERS INDICATE MILLIMETRES  
DECIMALIZED NUMBERS INDICATE METRES

B.M. ELEV.		FIELD BOOK #:		CITY OF WINNIPEG WATER AND WASTE ENGINEERING DIVISION		ENGINEER'S SEAL		<b>THE CITY OF WINNIPEG</b> WATER AND WASTE DEPARTMENT	
POSTED TO LBIS						DESIGNED BY DGS			
				DRAWN BY CJH		APPROVED BY KZ		2006 OUTFALL GATE CHAMBER UPGRADES	
				HOR. SCALE AS		RELEASED FOR CONSTRUCTION		SHEET 4 OF 6	
				VERTICAL SHOWN				CITY DRAWING NUMBER	
NO. REVISIONS		DATE BY		DATE 2006 08 30		FILENAME : LD-3072.dwg		LD-3072	
						PLOT DATE: 2006 08 30		COMBINED SEWER OUTFALL GATE CHAMBER MISCELLANEOUS DETAILS	