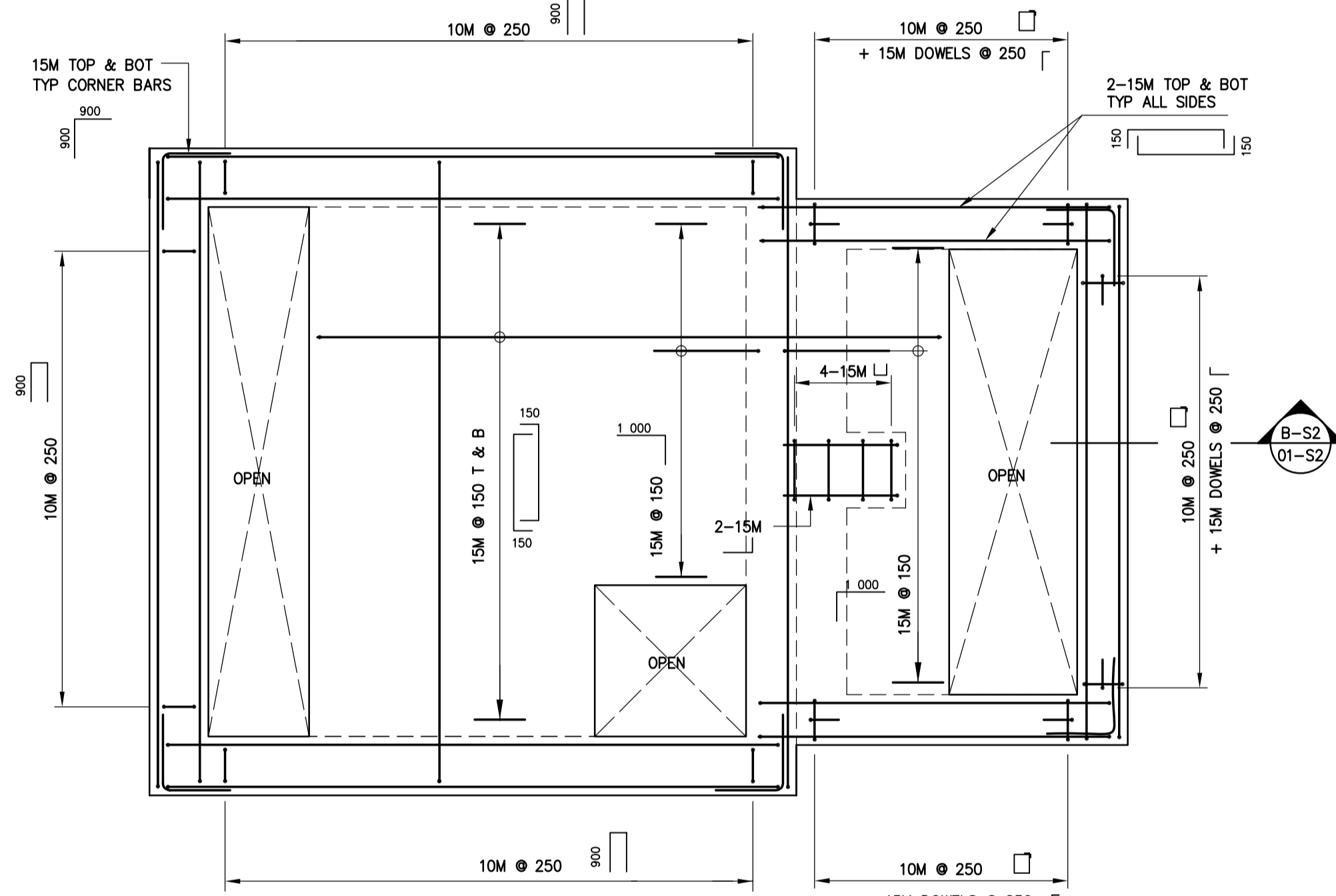
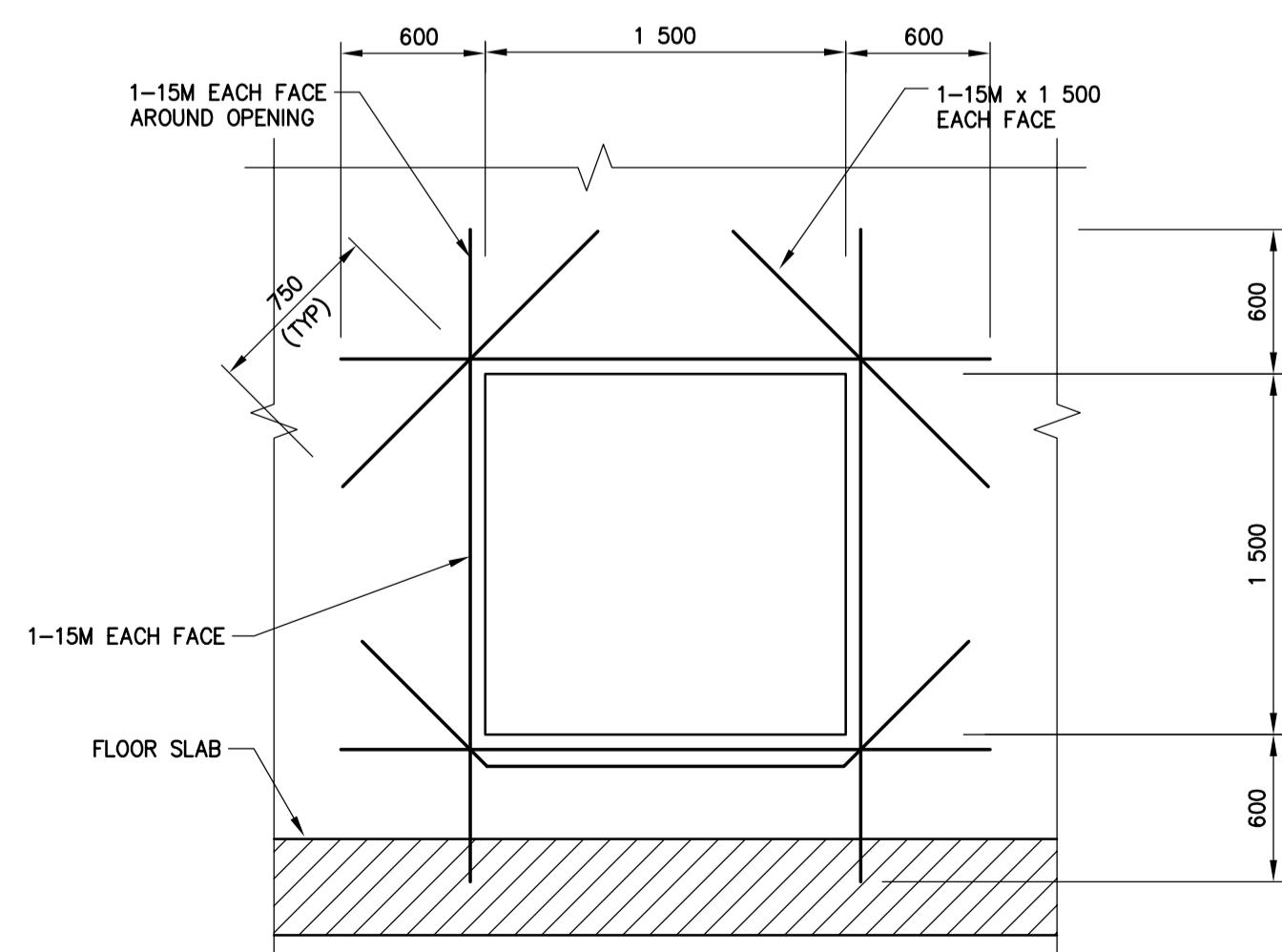


SECTION A-S2
1:30

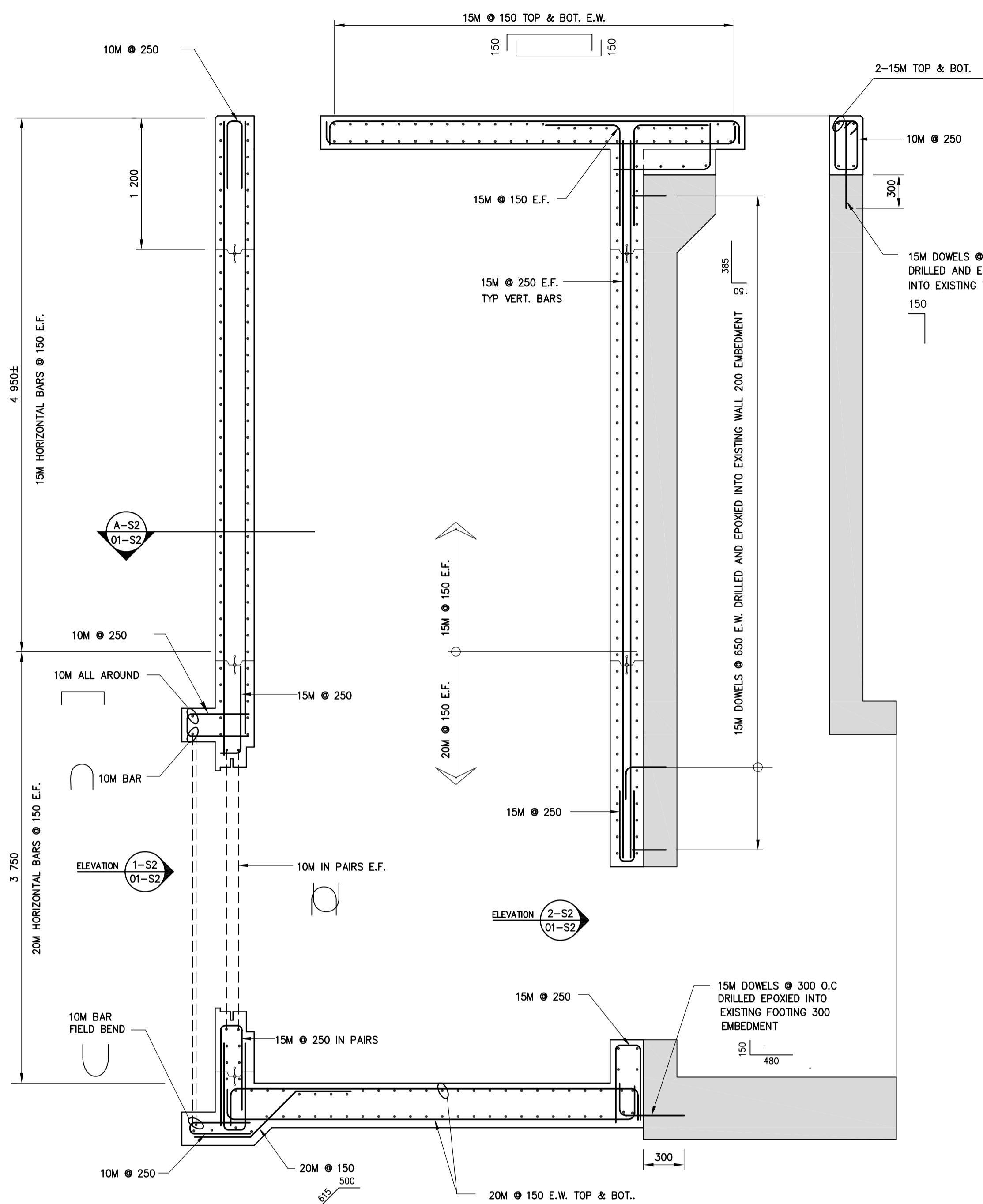


ROOF SLAB REINFORCING PLAN
1:30

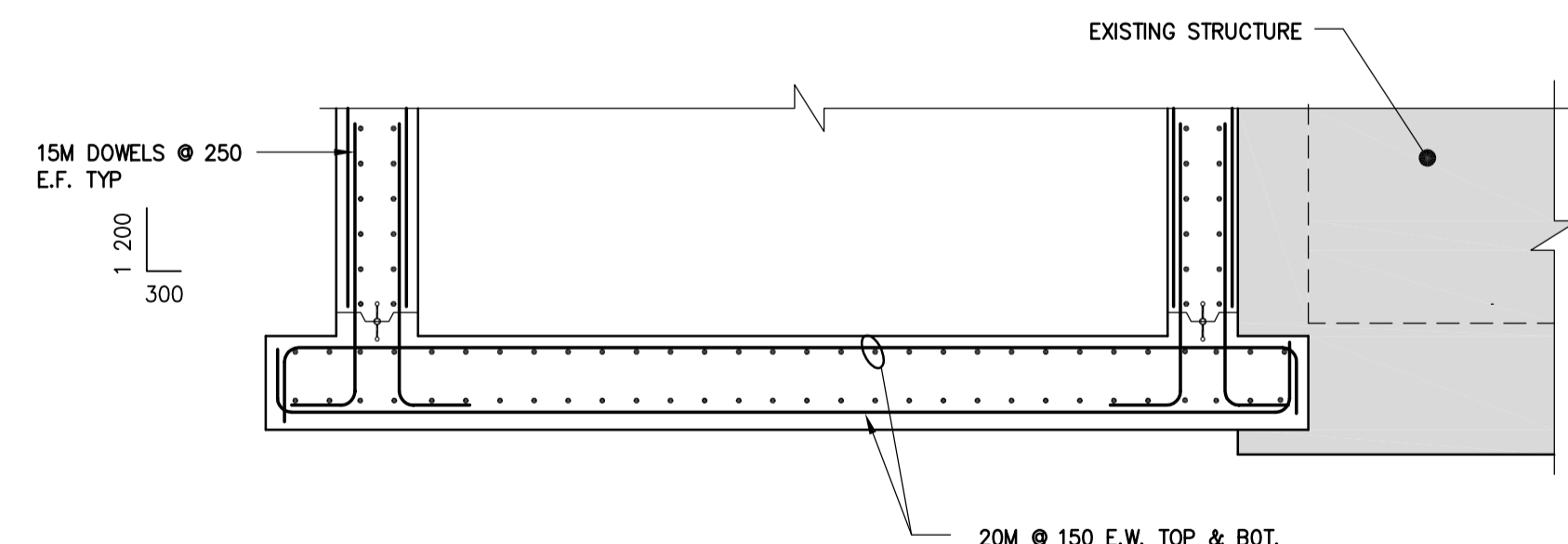


ELEVATION 2-S2
1:30

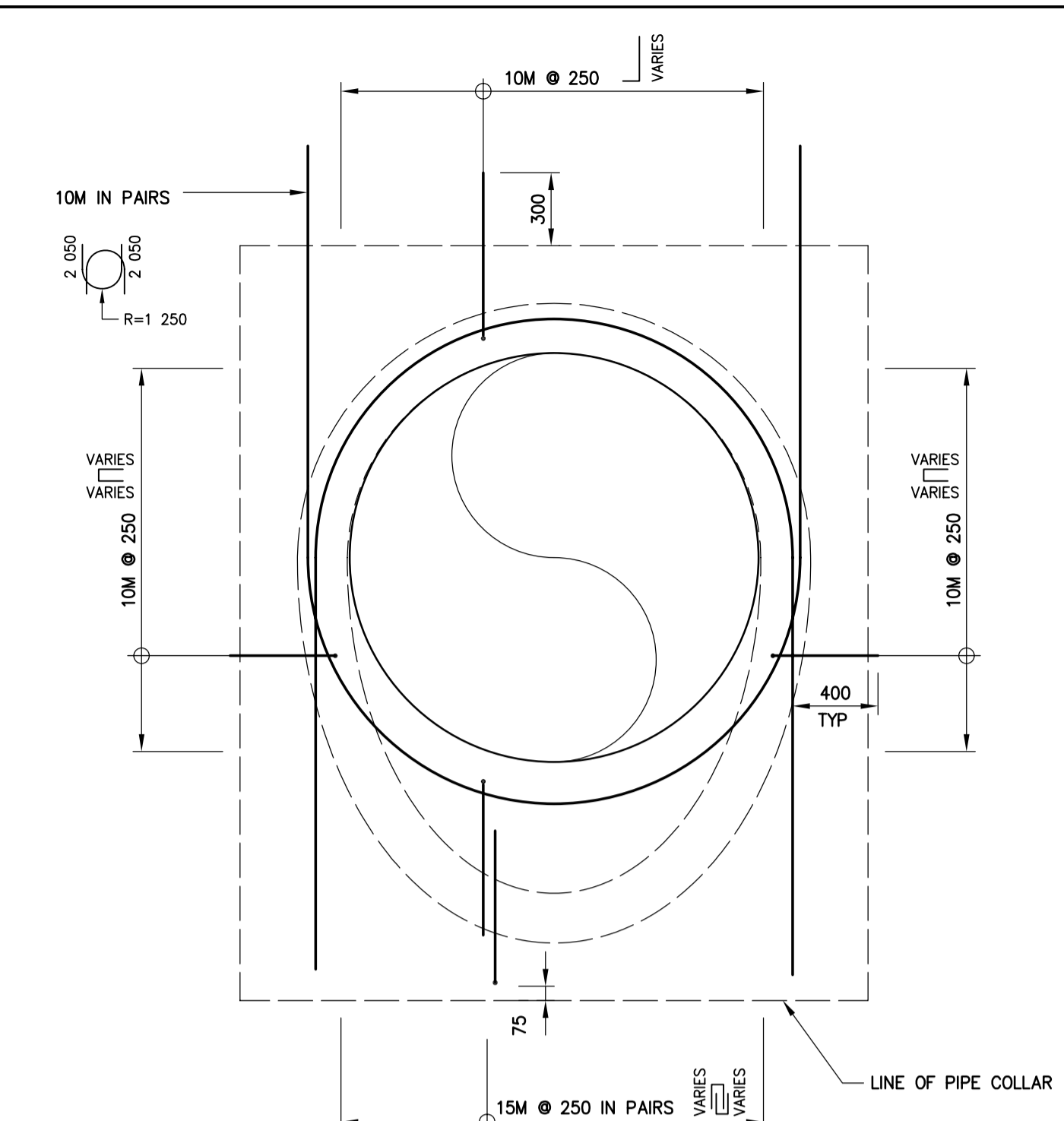
NOTE: WALL AND SLAB REINFORCING NOT SHOWN FOR CLARITY



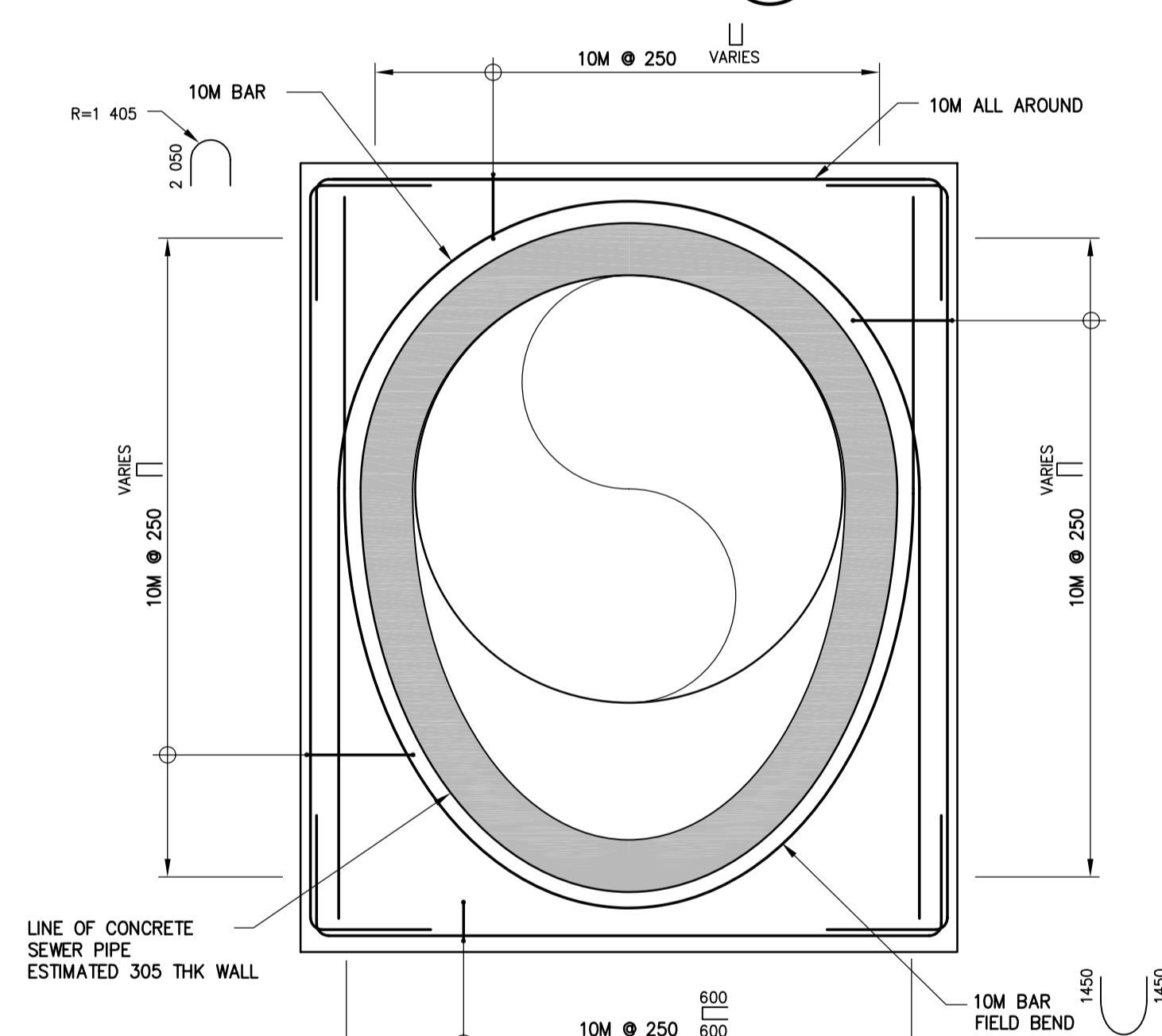
SECTION B-S2
(THROUGH C OF PIPE)
1:30



SECTION C-S2
1:30



ELEVATION 1-S2
1:30



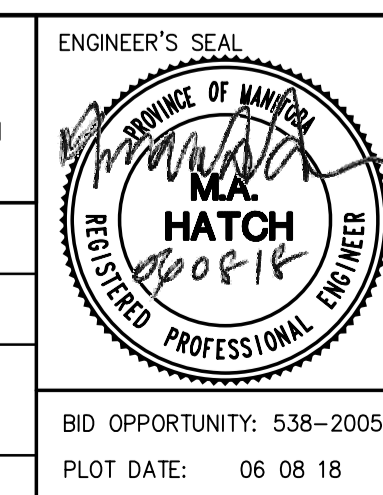
COLLAR REINFORCING LAYOUT
1:30



NOTE: These design documents are prepared solely for the use by the party with whom the design professional has entered into a contract and there are no representations of any kind made by the design professional to any party with whom the design professional has not entered into a contract.

APEGM
Certificate of Authorization
ND LEA Inc.
No. 2728 Expiry: April 30, 2007

NDLEA Suite 111-03 Lombard Avenue, Winnipeg, Manitoba R3B 3B1 Ph. 204-943-3178 Fax. 204-943-4048		DESIGNED BY: GK		CHECKED BY: MH	
DRAWN BY: RCS		APPROVED BY: -		RELEASED FOR CONSTRUCTION	
HOR. SCALE: AS SHOWN		DATE: -		DATE: -	
VERTICAL: AS SHOWN		DATE: -		DATE: -	
NO.	REVISIONS	DATE	BY	DATE	BY
1	-	-	-	-	-



A-B
C
A = DETAIL/SECTION No.
B = DRAWING WHERE SHOWN
C = DRAWING WHERE TAKEN

METRIC
WHOLE NUMBERS INDICATE MILLIMETRES
DECIMALIZED NUMBERS INDICATE METRES

Winnipeg
THE CITY OF WINNIPEG
WATER AND WASTE DEPARTMENT

2006 OUTFALL GATE CHAMBER UPGRADES
**AUBREY STREET
COMBINED SEWER OUTFALL**
REINFORCING DETAILS

CONSULTANT DRAWING NUMBER: 41721-01-S2
SHEET 3 OF 6
CITY DRAWING NUMBER: LD-3071

BID OPPORTUNITY: 538-2005
PLOT DATE: 06 08 18

Aug 18, 2006 - 1:24pm P: 41700 - 41799 \41721_008 Outfall Gate Chamber Upgrades\WOLEA Drawings\Aubrey\41721_01 Aubrey - SZ Rein.dwg - Job Layout