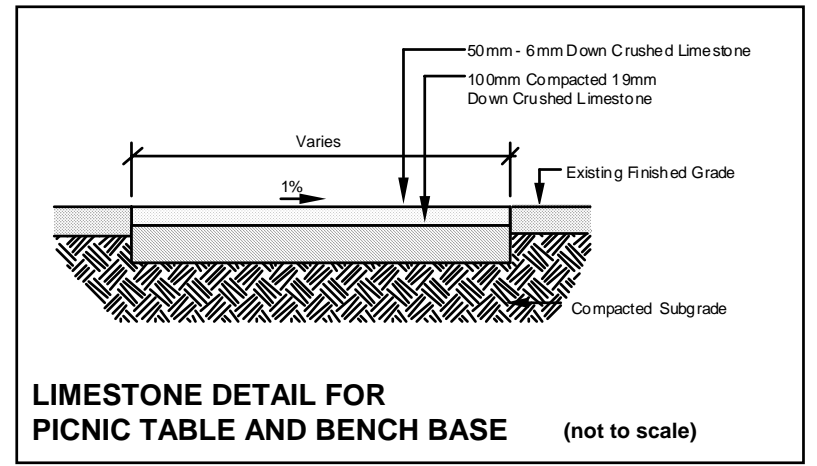
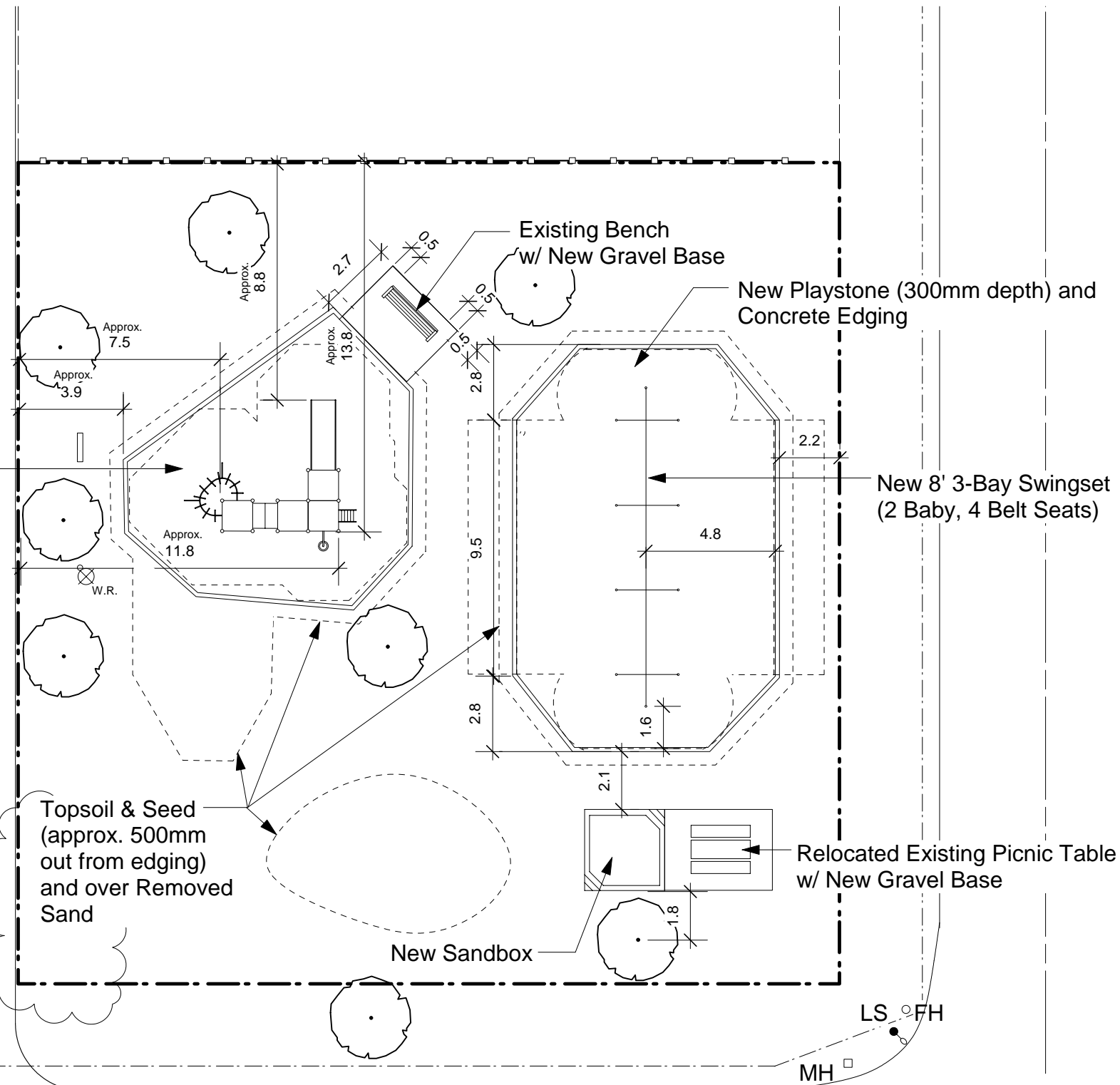




New Playstructure
(example only)
Proposed Design Should
Use Same General Area

**Note: Sample Layout Only.
Specific Layout to Conform to
Components as
Submitted by Bidder**



LOCATION OF UNDERGROUND STRUCTURES AS SHOWN ARE BASED ON THE BEST INFORMATION AVAILABLE BUT NO GUARANTEE IS GIVEN THAT ALL EXISTING UTILITIES ARE SHOWN OR THAT THE GIVEN LOCATIONS ARE EXACT. CONFIRMATION OF EXISTENCE AND EXACT LOCATION OF ALL SERVICES MUST BE OBTAINED FROM THE INDIVIDUAL UTILITIES BEFORE PROCEEDING WITH CONSTRUCTION.



THE CITY OF WINNIPEG
Planning, Property and Development Department
Planning and Land Use Division
Unit 15 - 30 Fort Street, Winnipeg, MB, (R3C 4X5)

DESIGNED BY	CH	CHECKED BY	DB	APPROVED BY	DB
DRAWN BY	ST/CH	RELEASED FOR CONSTRUCTION			
HORIZ. SCALE	1 : 200				
VERT. SCALE					
DATE	Jan/06	MANAGER, PLANNING AND LAND USE DIVISION	DATE		

DRAWING TITLE
**DICKSON BAY PARK
Proposed Site Plan**

CAD DRAWING NO.

DRAWING NO.
D.35-C