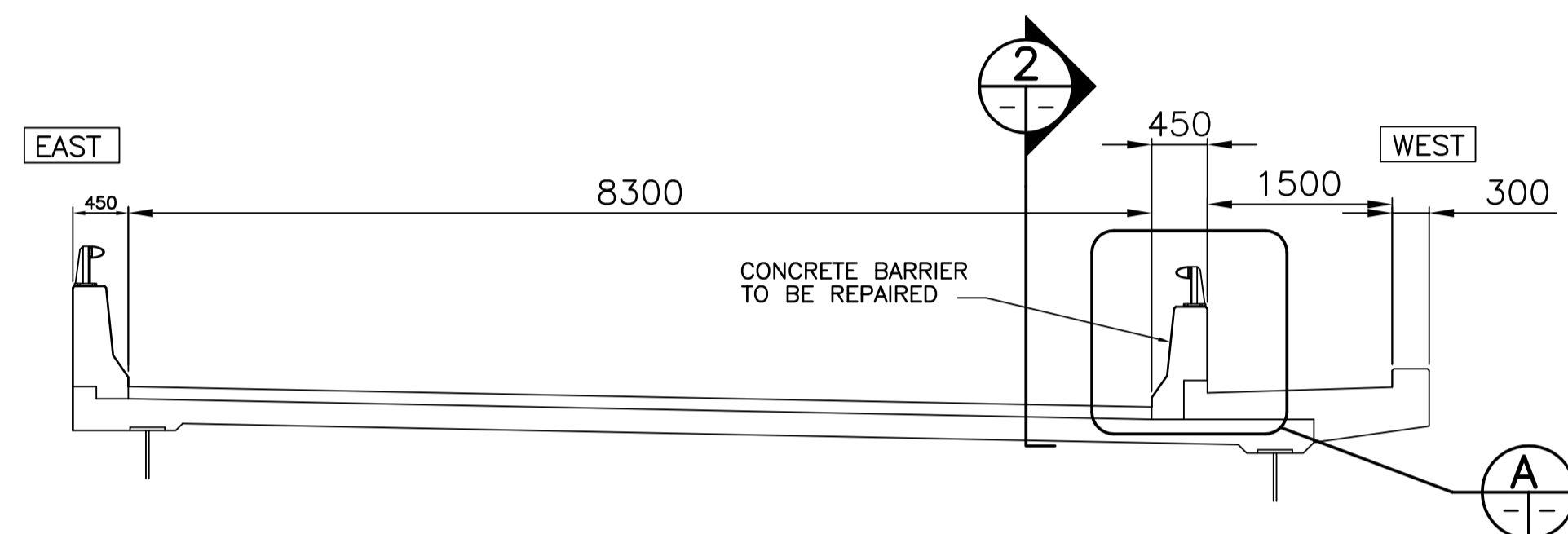
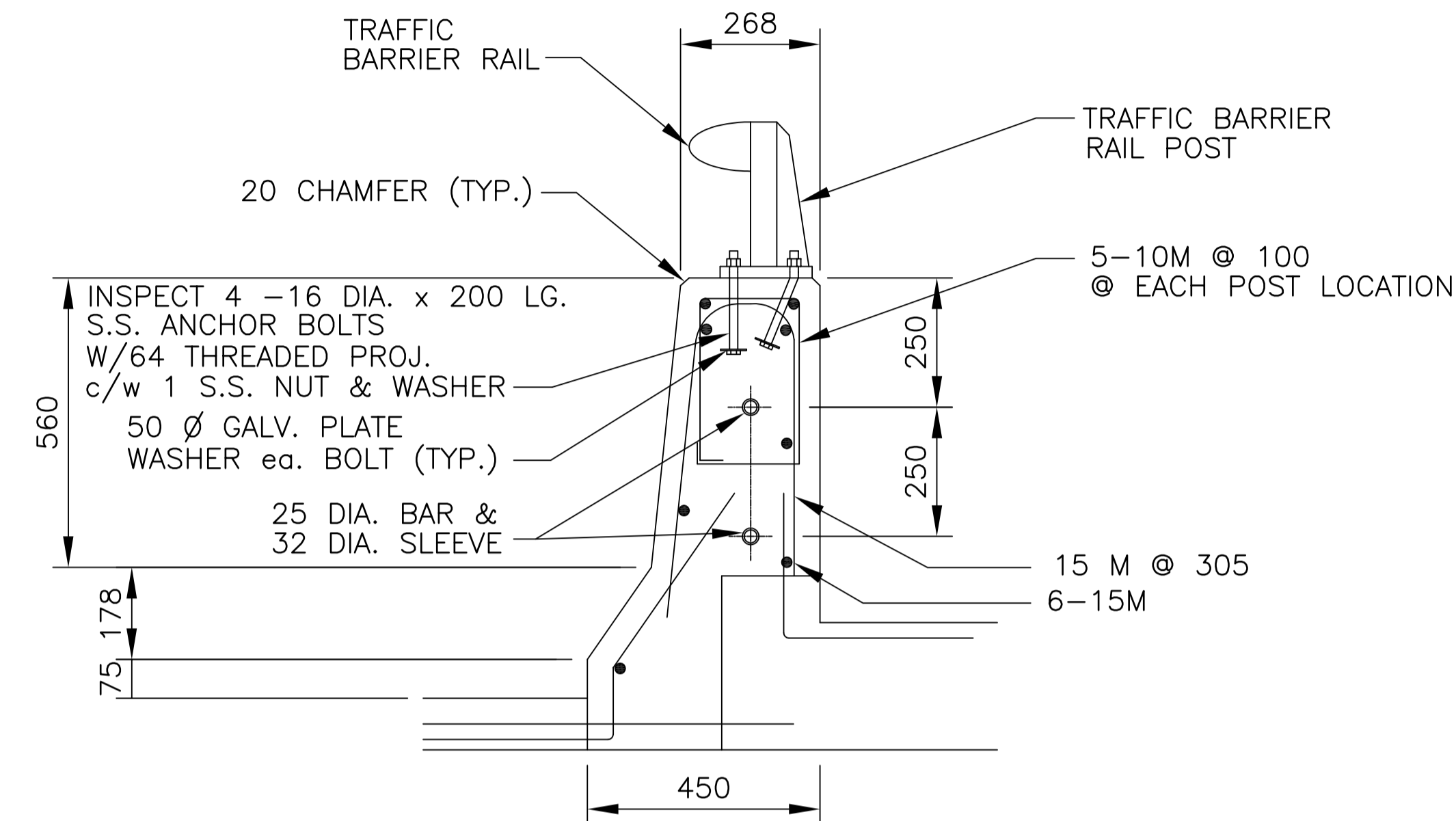


LOCATION PLAN

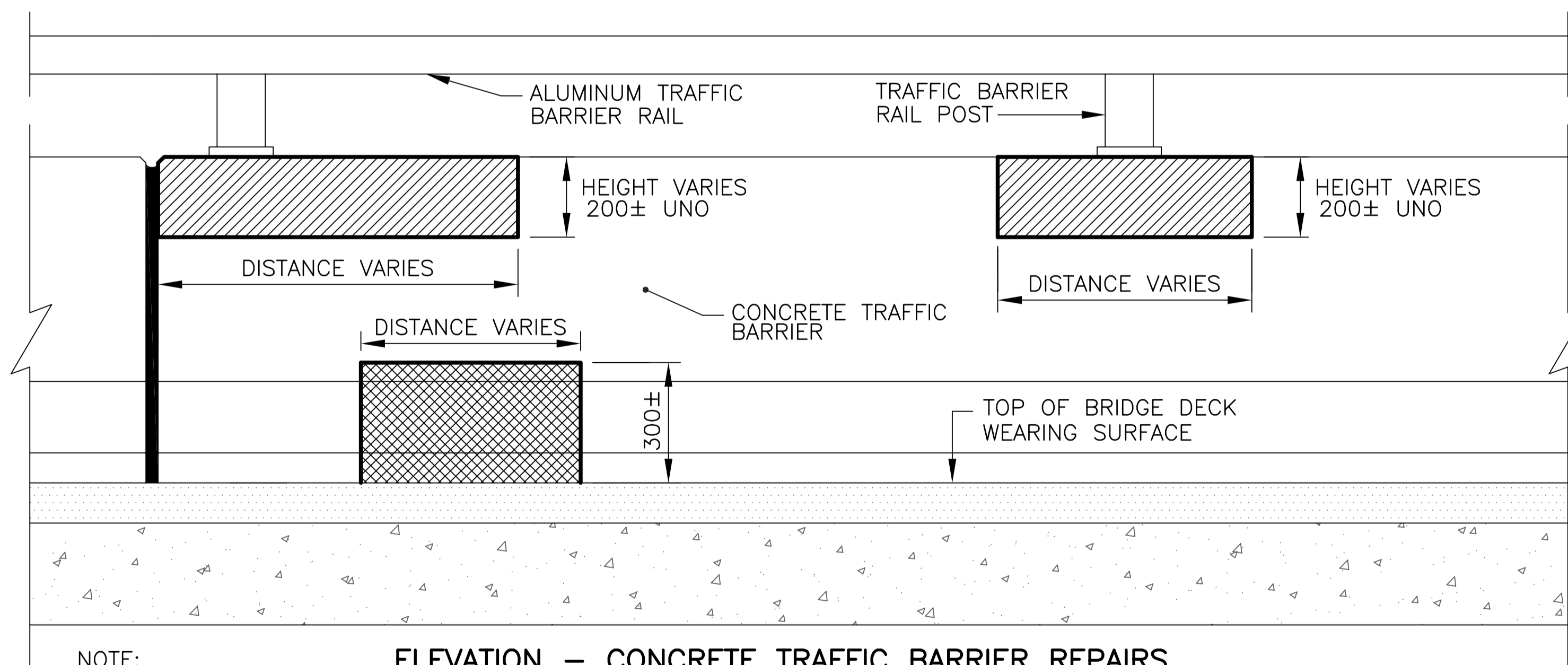


TYPICAL CROSS SECTION - SOUTHBOUND STRUCTURE

SECTION 1 N.T.S.



EXISTING SHOULDER TRAFFIC BARRIER



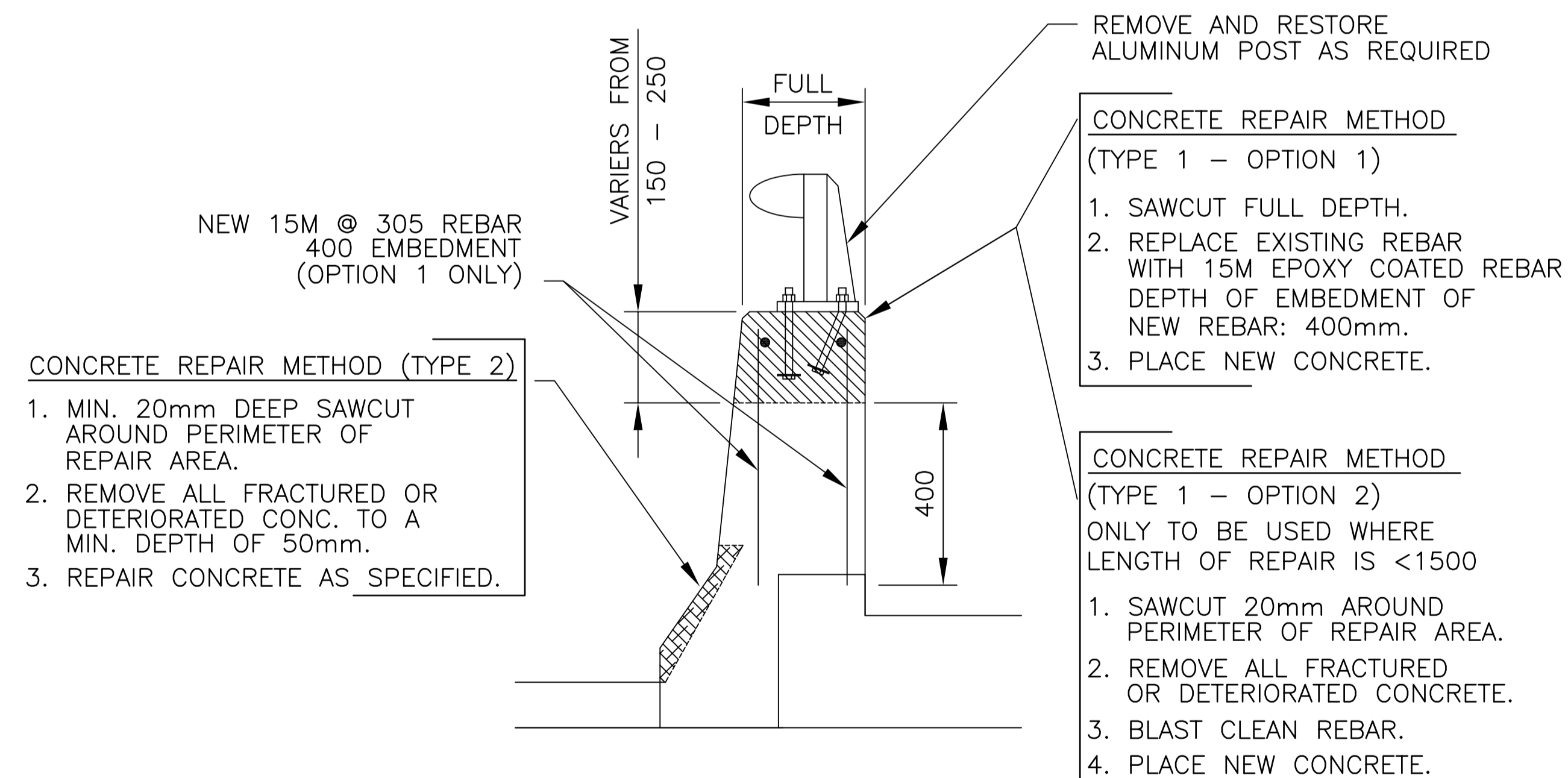
ELEVATION - CONCRETE TRAFFIC BARRIER REPAIRS

SECTION 2 1:10

NOTE:  
ALL REPAIRS TO BE UNDERTAKEN TO THE CURB SIDE BARRIER OF THE S/B BRIDGE UNLESS NOTED OTHERWISE.

REPAIR LEGEND

- TYPE 1 REPAIR - FULL BARRIER DEPTH WITH VARIABLE LENGTH (HEIGHT VARIES BETWEEN 150 TO 250mm OR TO SOUND CONCRETE)
- TYPE 2 REPAIR - TYPICAL BARRIER PARTIAL DEPTH REPAIR



SHOULDER TRAFFIC BARRIER REPAIRS

DETAIL A 1:10

BID OPPORTUNITY NO. 305-2005



B.M. ELEV.	DESIGNED BY: M.R.D.				
	DRAWN BY: M.R.D.			2005 BRIDGE MAINTENANCE ST. VITAL BRIDGE CONCRETE BARRIER REPAIRS	
	CHECKED BY: R.A.W.			CITY DRAWING NUMBER B116-05-01 SHEET 1 OF 2	
	REVIEWED BY: S.S.R.			EXISTING DETAILS & REPAIRS	
	SCALE: HORZ. AS SHOWN VERT.			CONSULTANT PROJECT NO. 05-4421-1000	
	DATE: JUNE 2005				
	AUTHORIZED BY:				
NO.	REVISIONS	DATE	BY	CITY BRIDGE ENGINEER	