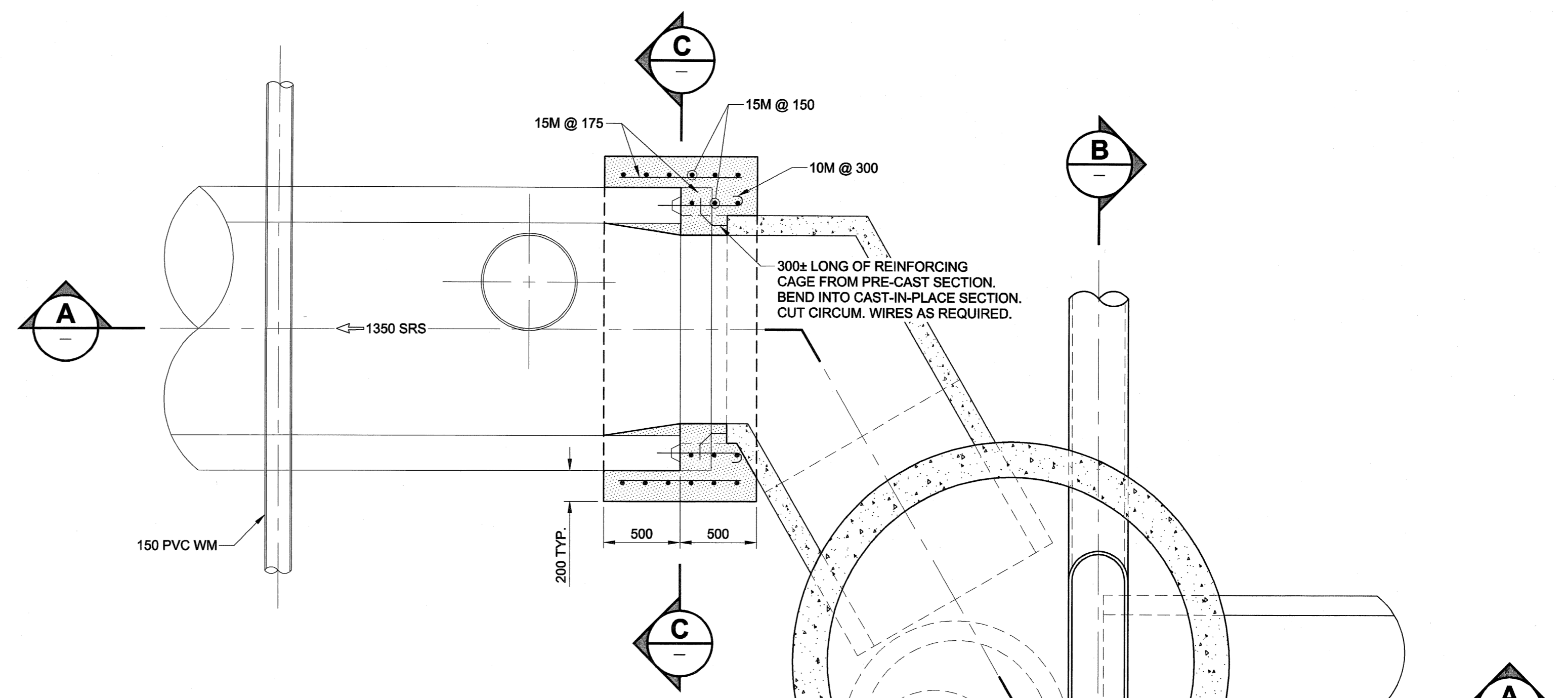
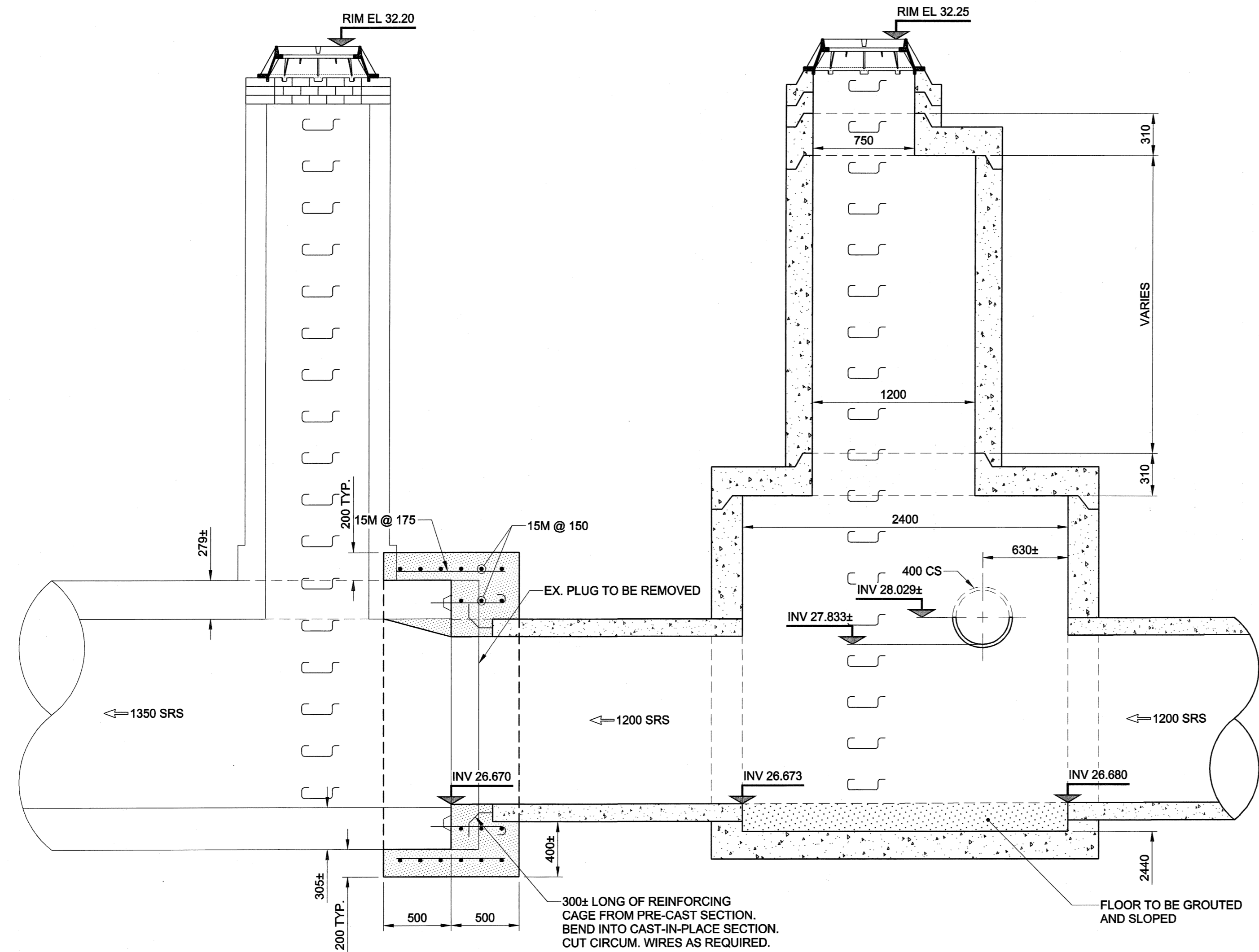


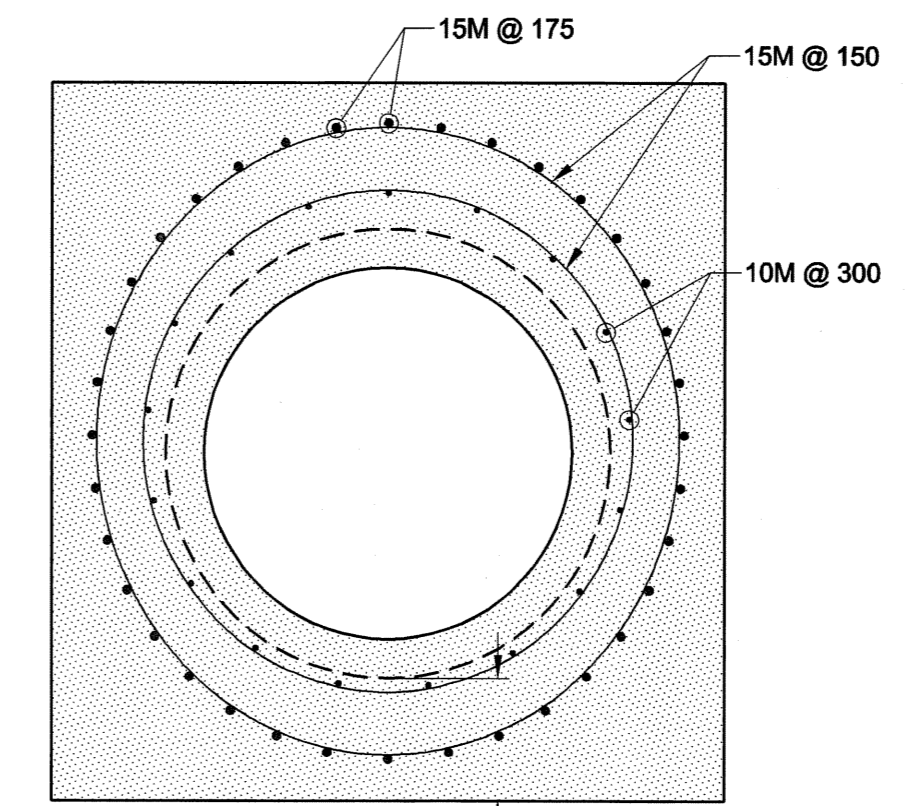
**SECTION B**  
SCALE 1:25



**DETAIL**  
SCALE 1:25  
LD-3086  
1350 x 1200 CONC SRS CONNECTION  
ARLINGTON @ WINNIPEG



**SECTION A**  
SCALE 1:25



**SECTION C**  
SCALE 1:25

HYDRAULIC CEMENT GROUT	EXPOXY GROUT
d = BAR DIA. +20mm	d AND Le IN ACCORDANCE WITH MANUFACTURER'S PRINTED SPECIFICATIONS
Le: 10M - 150mm	
15M - 200mm	
20M - 250mm	
25M - 300mm	

d = REINFORCING BAR DIAMETER  
Le = LENGTH OF REINFORCING BAR

LAP TABLE	
BAR	LAP
10M	330
15M	550
20M	670

- NOTES:**
1. DRILL HOLE OF DIAMETER AND DEPTH AS REQUIRED.
  2. CLEAN HOLE OF DUST & DEBRIS.
  3. FILL HOLE WITH DOWELLING GROUT.
  4. INSTALL REINFORCING BAR & WIPE AWAY GROUT.
  5. SECURE DOWEL BAR FIRMLY IN POSITION & DO NOT DISTURB BAR FOR 3 HOURS AFTER INSTALLATION.

LOCATION APPROVED UNDERGROUND STRUCTURES		BM ELEV
SUPR. U/G STRUCTURES COMMITTEE	DATE	
NOTE: LOCATION OF UNDERGROUND STRUCTURES AS SHOWN ARE BASED ON THE BEST INFORMATION AVAILABLE. BUT NO GUARANTEE IS GIVEN THAT ALL EXISTING UTILITIES ARE SHOWN OR THAT THE GIVEN LOCATIONS ARE EXACT. CONFIRMATION OF EXISTENCE AND EXACT LOCATION OF ALL SERVICES MUST BE OBTAINED FROM THE INDIVIDUAL UTILITIES BEFORE PROCEEDING WITH CONSTRUCTION.		
NO.	REVISIONS	YYMMDD BY
0	ISSUED FOR CONSTRUCTION	05/02/08 ADL

DESIGNED BY		CHECKED BY	
FMI/GE			
DRAWN BY		APPROVED BY	
ADL			
HOR. SCALE		VERT. SCALE	
AS NOTED		AS NOTED	
DATE		DATE	
05/02/08		05/02/08	

**METRIC**  
WHOLE NUMBERS INDICATE MILLIMETRES  
DECIMAL NUMBERS INDICATE METRES

**UMA**  
An AECOM Company  
2004 UMA ENGINEERING LTD. ALL RIGHTS RESERVED.

**APEGN**  
Certificate of Authorization  
UMA Engineering Ltd.  
No. 256 Expiry: April 30, 2005

**THE CITY OF WINNIPEG WATER AND WASTE DEPARTMENT**

**ALEXANDER/BANNATYNE COMBINED SEWER RELIEF CONTRACT 1A**

**DETAILS**

SHEET 17 OF 18  
CITY DRAWING NUMBER  
REV 0  
**LD-3102**