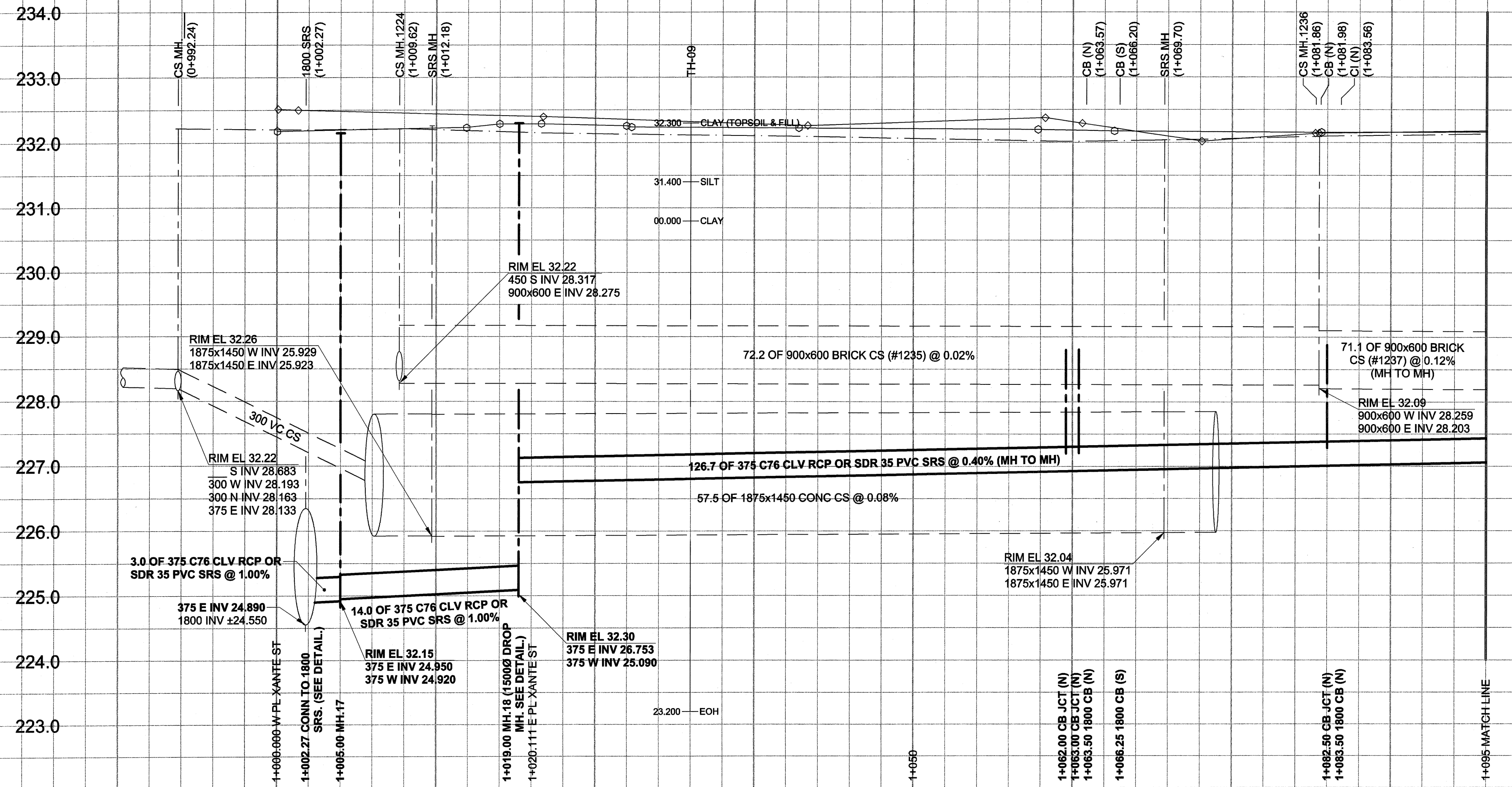
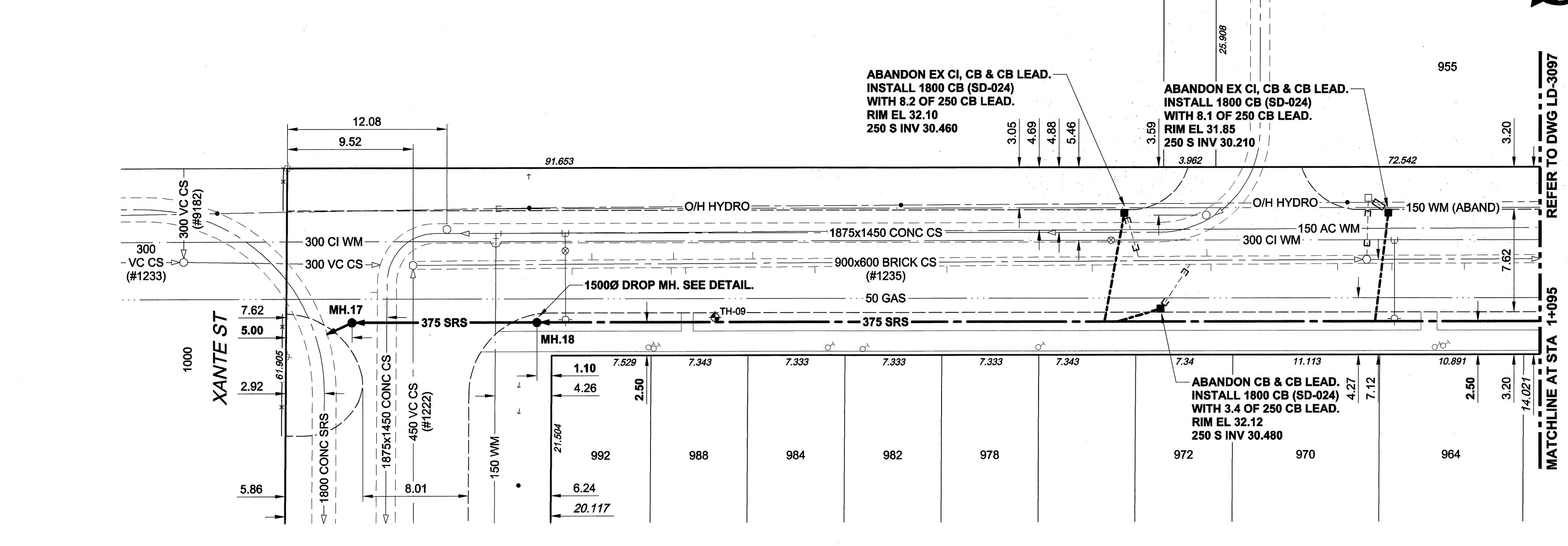


D SIZE 22" x 34" (559mm x 864mm) PLOT: 05/02/08 4:28:52 PM UMA FILE NAME: D265-177-01_01-C-1011_RX.dwg Saved By: atleipl



CHAINAGE ALONG S PL



WARNING
 IF POWER EQUIPMENT OR EXPLOSIVES ARE TO BE USED FOR EXCAVATION ON THIS PROJECT, THE CONTRACTOR MUST:
 1) NOTIFY THE GAS COMPANY OF THE PROPOSED LOCATION OF EXCAVATION.
 2) TAKE PRECAUTION TO AVOID DAMAGE TO GAS COMPANY INSTALLATIONS.
 SEE PROVINCIAL REGULATION 140/92 FOR DETAILS

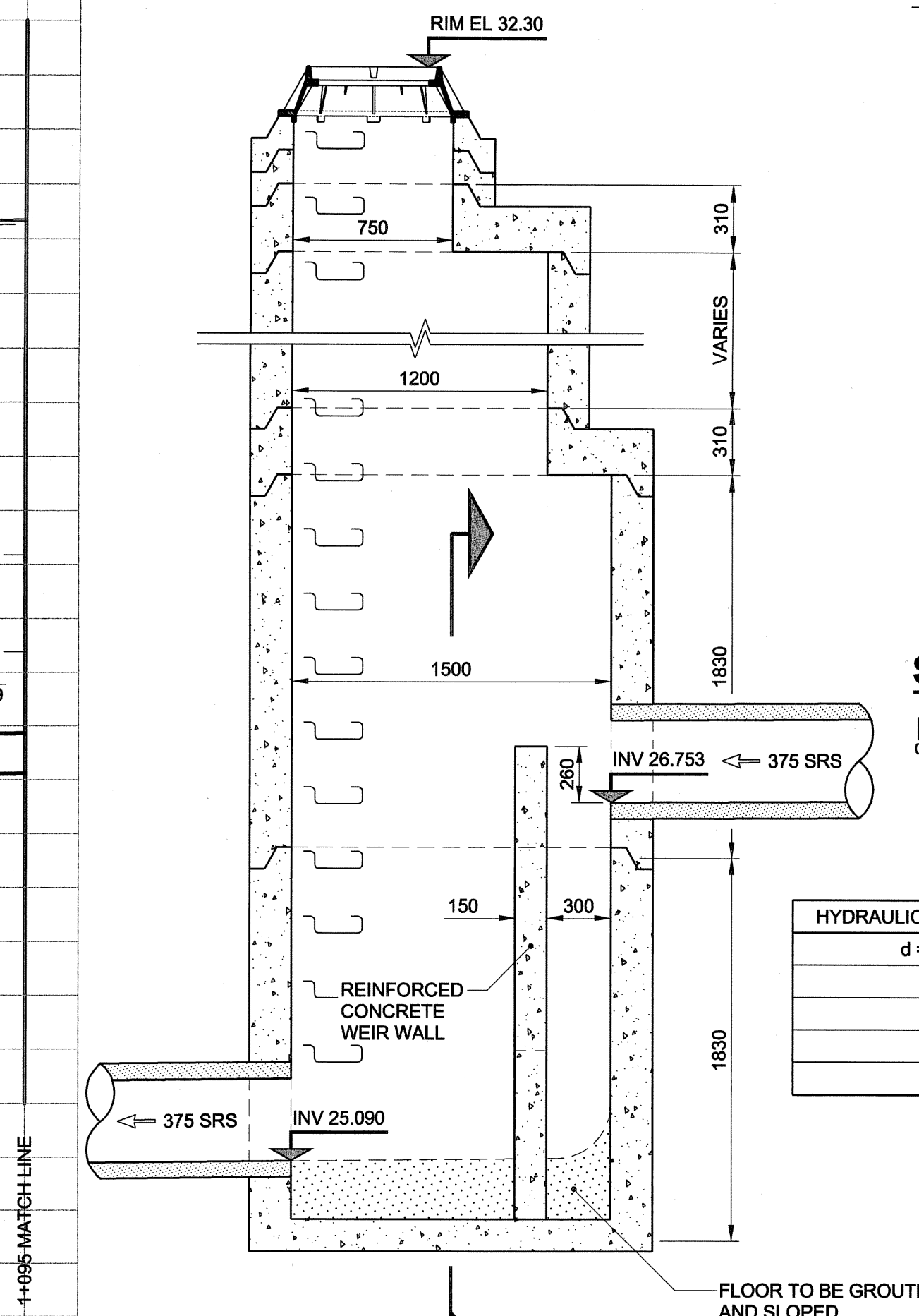
EXISTING	LEGEND - PLAN	NEW	EXISTING	LEGEND - PLAN	NEW	EXISTING	LEGEND - PROFILE	NEW
○	150 mm WM	●	○	150 mm WM	●	○	150 mm WM	●
○	HYDRANT	●	○	REDUCER	●	○	HYDRANT	●
○	VALVE	●	○	COUPLING	●	○	VALVE	●
○	300 mm LDS	●	○	ANODE	●	○	300 mm LDS	●
○	LAND DRAINAGE SEWER	●	○	HYDRO	●	○	LAND DRAINAGE SEWER	●
○	WASTE WATER SEWER	●	○	MTS	●	○	WASTE WATER SEWER	●
○	MANHOLE	●	○	GAS	●	○	PAVEMENT CROWN	●
○	CATCH BASIN	●	○	TESTHOLE	●	○	N/W PROPERTY LINE	●
○	CURB INLET	●	○	LAMP STANDARD	●	○	S/E PROPERTY LINE	●
○	CULVERT	●	○	TREE	●	○	N/W GUTTER	●
○	PIPE ABANDONMENTS	●	○		●	○	S/E GUTTER	●
○	SURVEY BAR	●	○		●	○		●

LOCATION APPROVED	UNDERGROUND STRUCTURES	DATE
○	SUPR. U/G STRUCTURES	
○	COMMITTEE	

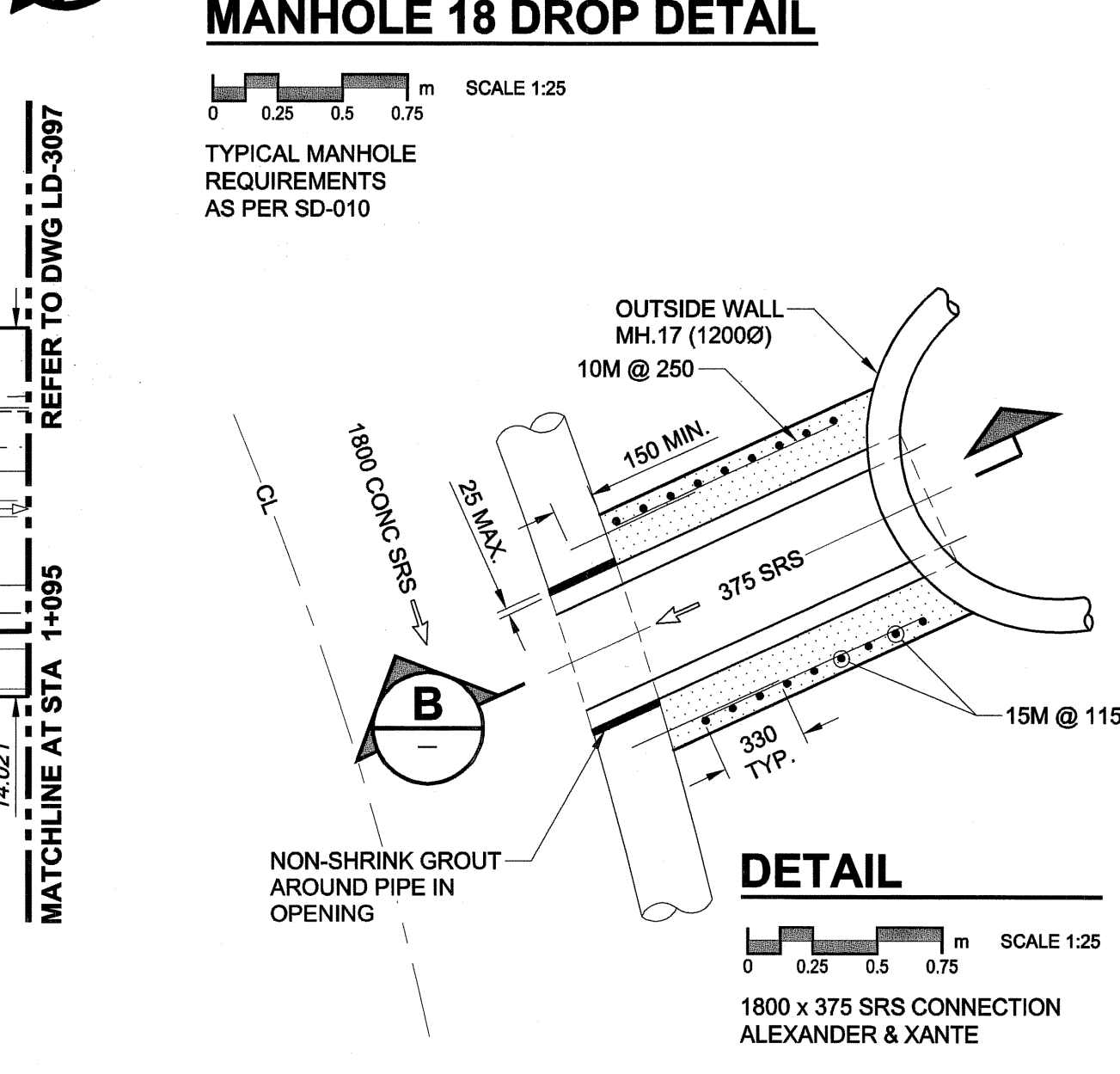
NOTE:
 LOCATION OF UNDERGROUND STRUCTURES AS SHOWN ARE BASED ON THE BEST INFORMATION AVAILABLE, BUT NO GUARANTEE IS GIVEN THAT ALL EXISTING UTILITIES ARE SHOWN OR THAT THE GIVEN LOCATIONS ARE EXACT. CONFIRMATION OF EXISTENCE AND EXACT LOCATION OF ALL SERVICES MUST BE OBTAINED FROM THE INDIVIDUAL UTILITIES BEFORE PROCEEDING WITH CONSTRUCTION.

NO.	REVISIONS	DATE	BY
0	ISSUED FOR CONSTRUCTION	05/02/08	ADL
		YY/MM/DD	

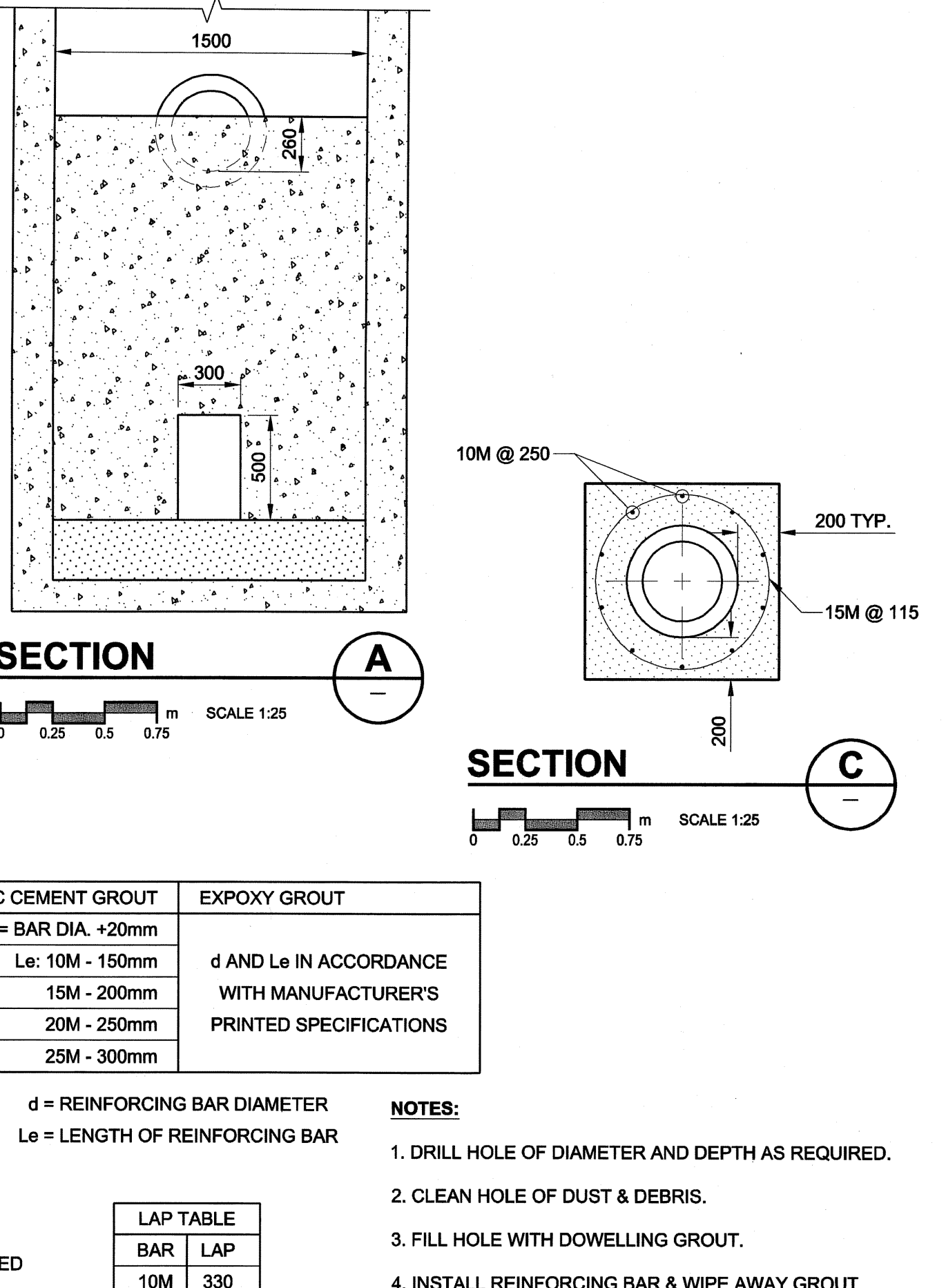
BM 36-020
 ELEV 232.294m
 S. E. Cor. Logan Ave. & Trinity St., Tblt. in N. Conc. foundation of No. 936 Logan Ave., 3m W. & 0.3m below window of N.E. Cor. of Bldg.



MANHOLE 18 DROP DETAIL

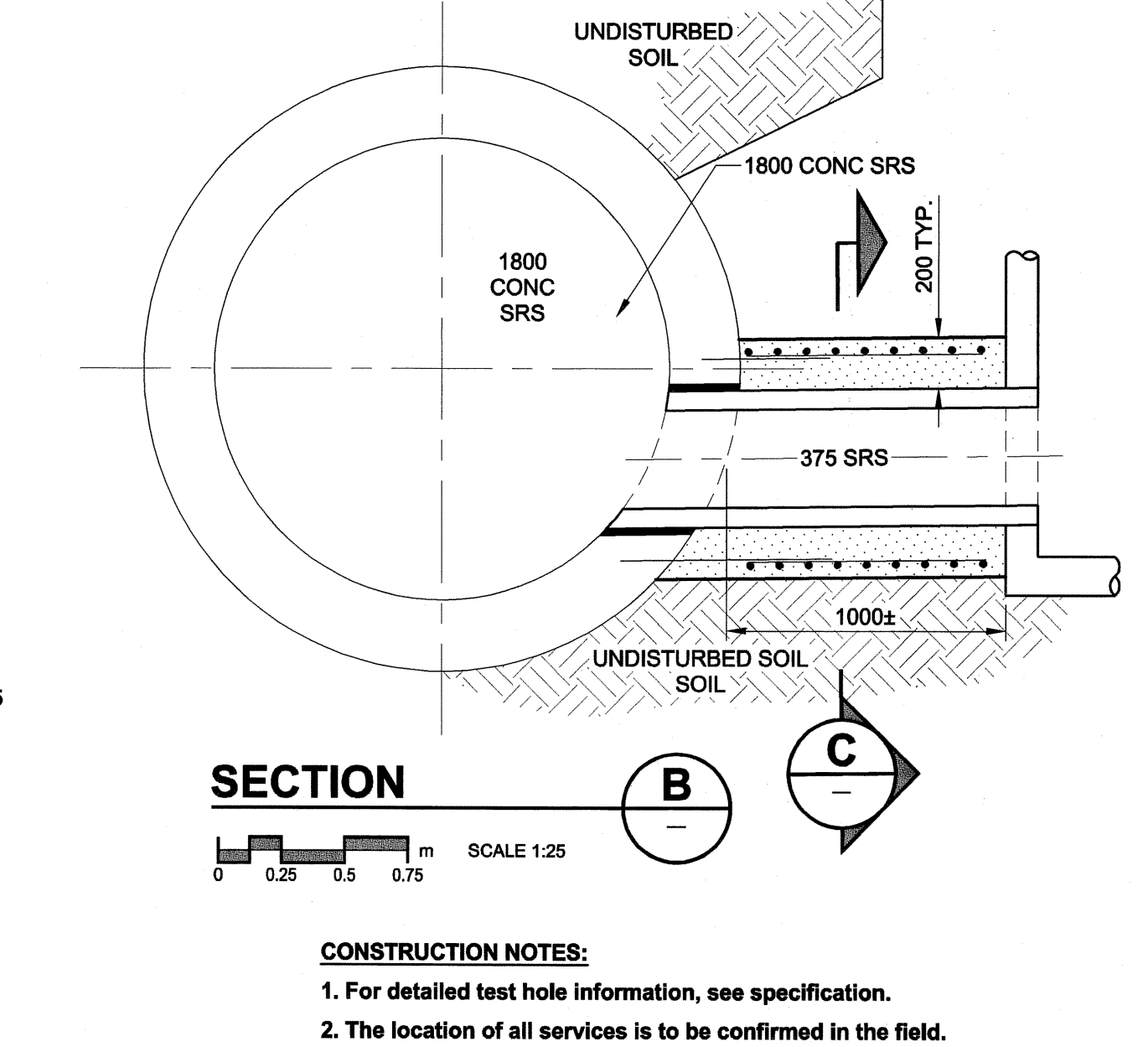


DETAIL
 1800 x 375 SRS CONNECTION
 ALEXANDER & XANTE



SECTION A
 RIM EL 32.30

SECTION C
 RIM EL 32.09



SECTION B
 1800 CONC SRS
 375 SRS

CONSTRUCTION NOTES:

- For detailed test hole information, see specification.
- The location of all services is to be confirmed in the field.
- Install new sewers and catchbasin leads by trenchless methods wherever possible.
- Renew/Rehabilitate catchbasins & renew catchbasin leads where noted.

METRIC
 WHOLE NUMBERS INDICATE MILLIMETRES
 DECIMALIZED NUMBERS INDICATE METRES

UMA
 An AECOM Company
 2004 UMA ENGINEERING LTD. ALL RIGHTS RESERVED.

DESIGNED BY: FMI/GEB
 CHECKED BY: [Signature]
 DRAWN BY: ADL
 APPROVED BY: [Signature]
 HOR. SCALE: 1:250
 VERT. SCALE: 1:50
 DATE: 02/02/09

PROFESSIONAL'S SEAL
 PROVINCE OF MANITOBA
 REGISTERED PROFESSIONAL ENGINEER
 A. NAGY
 FEB 9, 2005
 CONSULTANT DRAWING NO. 11
 D265-177-01

THE CITY OF WINNIPEG
 WATER AND WASTE DEPARTMENT

ALEXANDER/BANNATYNE
 COMBINED SEWER RELIEF
 CONTRACT 1A
 ALEXANDER AVENUE
 XANTE STREET
 TO 50m W OF TRINITY STREET

SHEET 11 OF 18
 CITY DRAWING NUMBER
 LD-3096
 REV 0

BID OPPORTUNITY NO. 12-2005