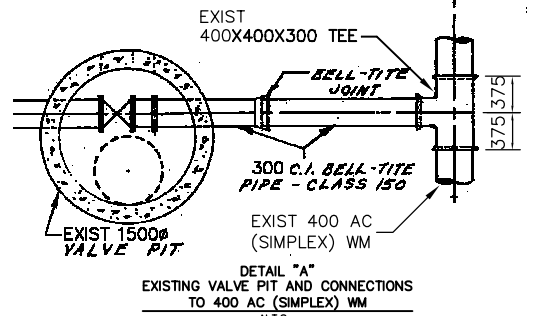
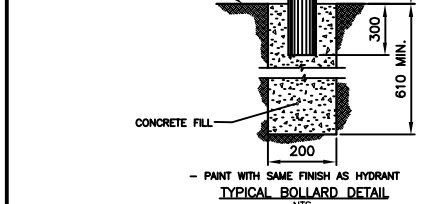
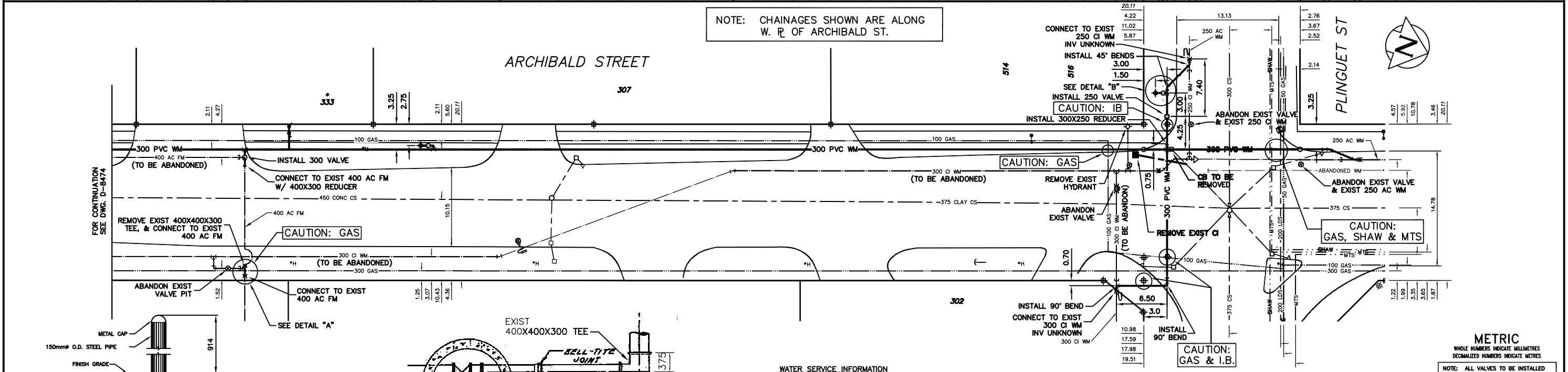


NOTE: CHAINAGES SHOWN ARE ALONG W. P. OF ARCHIBALD ST.



ADDRESS	SIZE (mm) & TYPE (STREET)	SIZE (mm) & TYPE (PROP)	SHORT & LONG MEASUREMENT	CORP LOCATION	REMARKS
302 ARCHIBALD ST	25 COPPER	25 COPPER	0.61 NSL BLDG	-	SERVED FROM ARCHIBALD
307 ARCHIBALD ST	25 COPPER	25 COPPER	1.04 SNL BLDG	-	SERVED FROM ARCHIBALD
333 ARCHIBALD ST	19 COPPER	19 COPPER	1.58 OFF BLDG	-	SERVED FROM ARCHIBALD
514 PLINGUET ST	19 COPPER	19 COPPER	1.98 OFF BLDG	-	SERVED FROM ARCHIBALD
516 PLINGUET ST	19 COPPER	19 COPPER	3.11 EEL BLDG	-	SERVED FROM PLINGUET
516 PLINGUET ST	19 COPPER	19 COPPER	3.17 OFF BLDG	-	SERVED FROM PLINGUET
516 PLINGUET ST	19 COPPER	19 COPPER	1.55 EWL BLDG	-	SERVED FROM PLINGUET
516 PLINGUET ST	19 COPPER	19 COPPER	0.73 OFF BLDG	-	SERVED FROM PLINGUET

\* SERVICES TO BE RENEWED TO P. ALL OTHERS TO BE RECONNECTED

FOR CONSTRUCTION NOTES SEE DRAWING D-8474

**WARNING**  
 IF POWER EQUIPMENT OR EXPLOSIVES ARE TO BE USED FOR EXCAVATION ON THIS PROJECT THE CONTRACTOR MUST:  
 1) NOTIFY THE GAS COMPANY OF THE PROPOSED LOCATION OF EXCAVATION.  
 2) TAKE PRECAUTION TO AVOID DAMAGE TO GAS COMPANY INSTALLATIONS.  
 SEE PROVINCIAL REGULATION 210/72 FOR DETAILS

200 WM	WATERMAIN	200 WM	SL, HYDRO	150 WM	WATERMAIN	150 WM
+	HYDRANT	+	MTS	+	HYDRANT	+
o	VALVE	o	TRAFFIC SIGNALS	+	VALVE	+
525 LDS	LAND DRAINAGE SEWER	525 LDS	GAS	50 GAS	300 LDS	LAND DRAINAGE SEWER
375 WWS	WASTEWATER SEWER	375 WWS	SURVEY BAR	250 WWS	250 WWS	WASTEWATER SEWER
o	MANHOLE	o	FENCE	o	o	PROFILE
o	CATCH BASIN	o	POLE - HYDRO, MTS	o	o	GROUND ABOVE PIPE
o	CURB INLET	o	CURB STOP	o	o	
o	REDUCER	o	GUY ANCHOR	o	o	
o	COUPLER	o	LIGHT STANDARD	o	o	
o	ANODE	o	TREE	o	o	
EXISTING	LEGEND-PLAN	PROPOSED	EXISTING	LEGEND-PLAN	PROPOSED	EXISTING

LOCATION APPROVED	B.M. ELEV.	FIELD BOOK #
UNDERGROUND STRUCTURES		
SUPV. U/G STRUCTURES COMMITTEE		
DATE		
NOTE:		
LOCATION OF UNDERGROUND STRUCTURES AS SHOWN ARE BASED ON THE BEST INFORMATION AVAILABLE BUT NO GUARANTEE IS GIVEN THAT ALL EXISTING UTILITIES ARE SHOWN OR THAT THE GIVEN LOCATIONS ARE EXACT. CONFIRMATION OF EXISTENCE AND EXACT LOCATION OF ALL SERVICES MUST BE OBTAINED FROM THE INDIVIDUAL UTILITIES BEFORE PROCEEDING WITH CONSTRUCTION.		
NO. REVISIONS	DATE	BY

**CITY OF WINNIPEG**  
**WATER AND WASTE**  
**ENGINEERING DIVISION**

DESIGNED BY DS/CJH  
 CHECKED BY TW  
 DRAWN BY CJH  
 APPROVED BY KZ  
 HOR. SCALE 1:250  
 VERTICAL SCALE 1:50  
 RELEASED FOR CONSTRUCTION  
 DATE 2004.03.19

ENGINEER'S SEAL  
 ORIGINAL SIGNED BY K.R. ZUREK  
 04/03/19

**THE CITY OF WINNIPEG**  
 WATER AND WASTE DEPARTMENT

2004 WATERMAIN RENEWALS

ARCHIBALD STREET  
 31 m N OF SP PLINGUET STREET TO  
 132.65 m S OF SP PLINGUET STREET

SHEET 3 OF 10  
 CITY DRAWING NUMBER D-8475