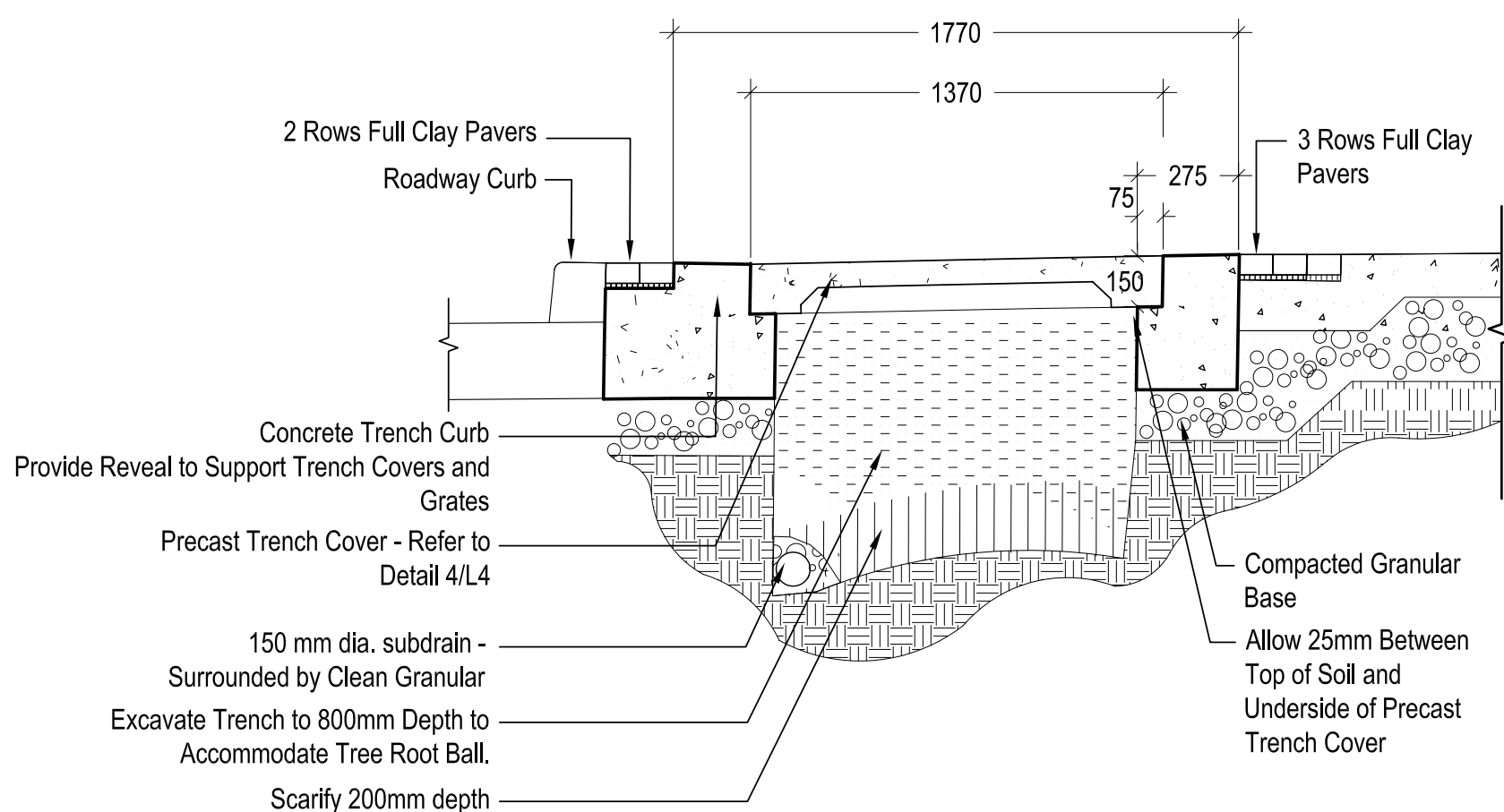
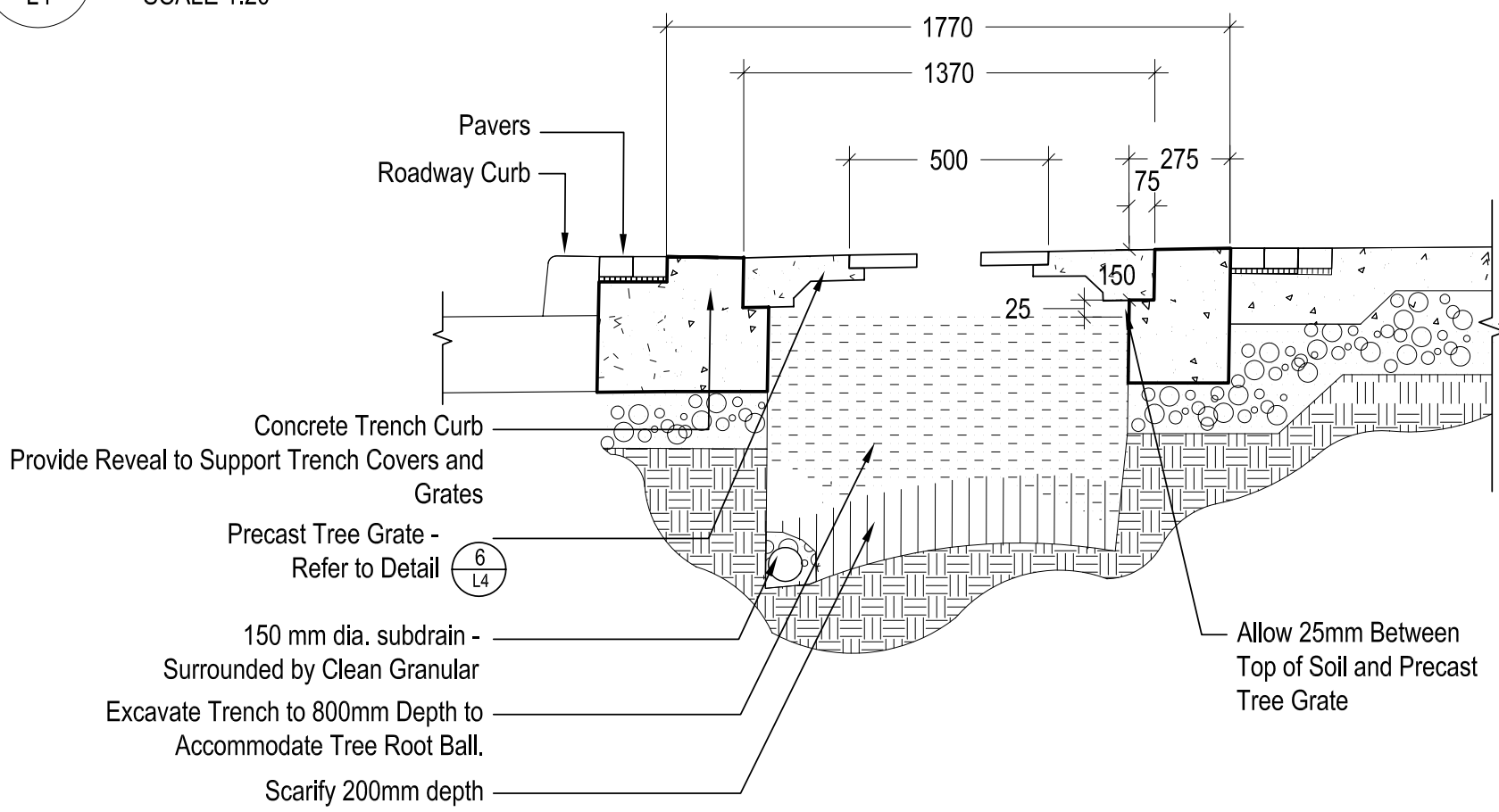


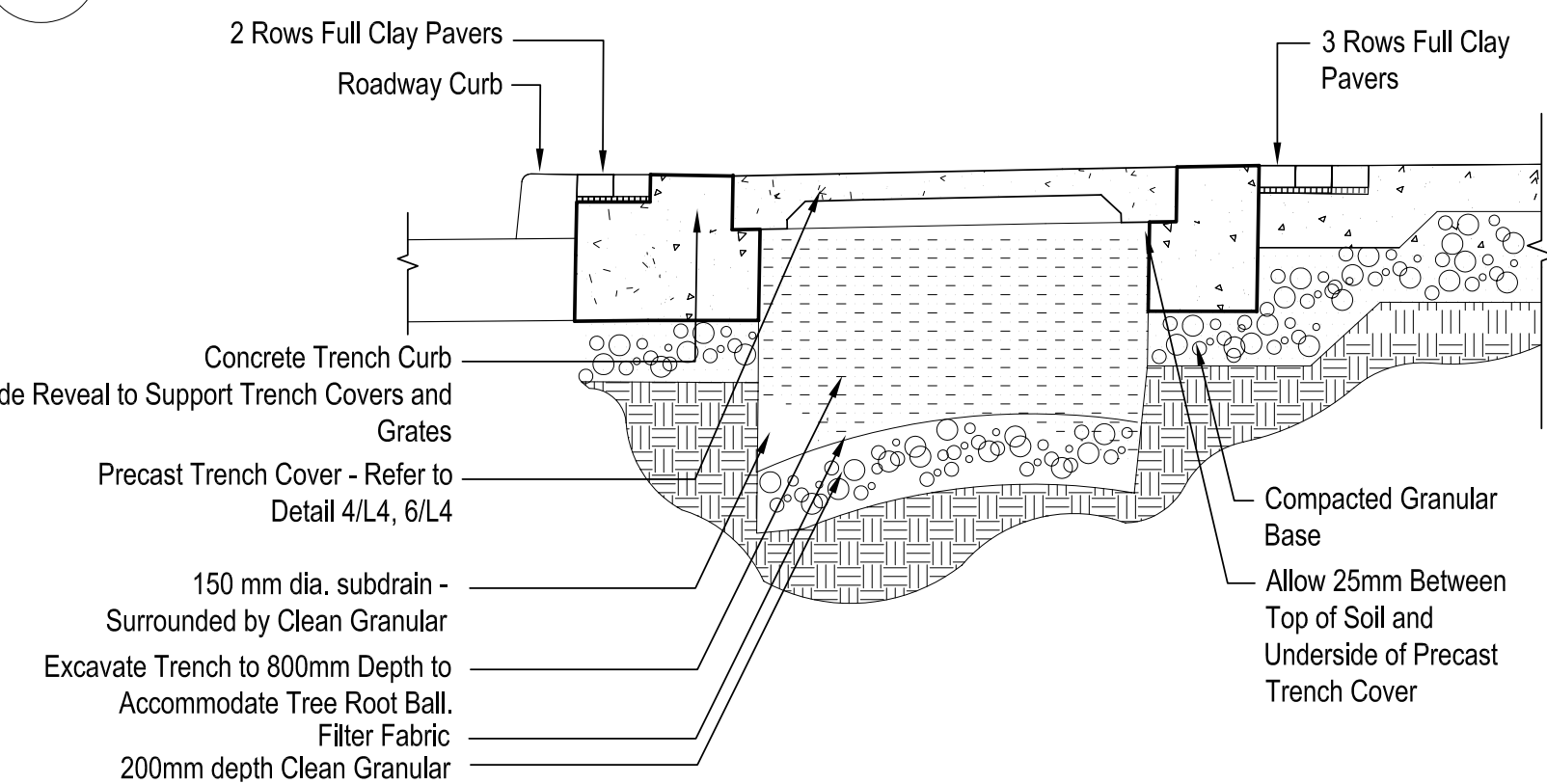
2 TYPICAL PLANTING TRENCH DETAIL - PLAN VIEW
L4 1:50



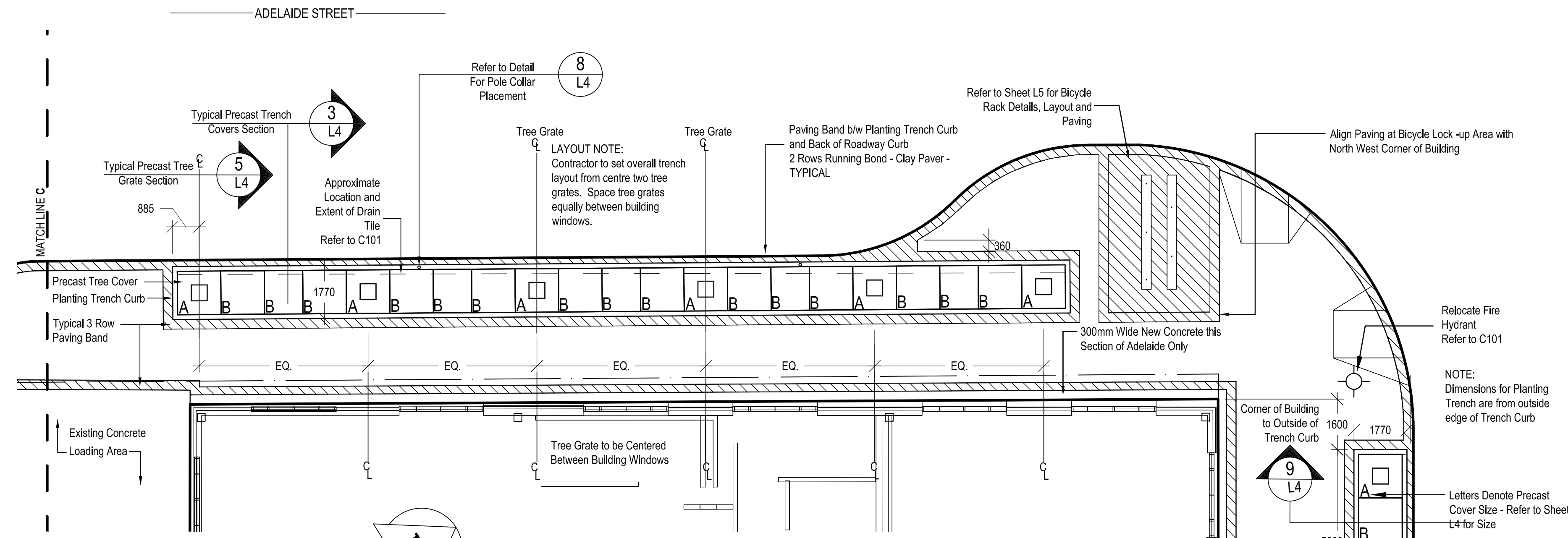
3 TYPICAL PRECAST TRENCH COVER IN SIDEWALK - SECTION
L4 SCALE 1:20



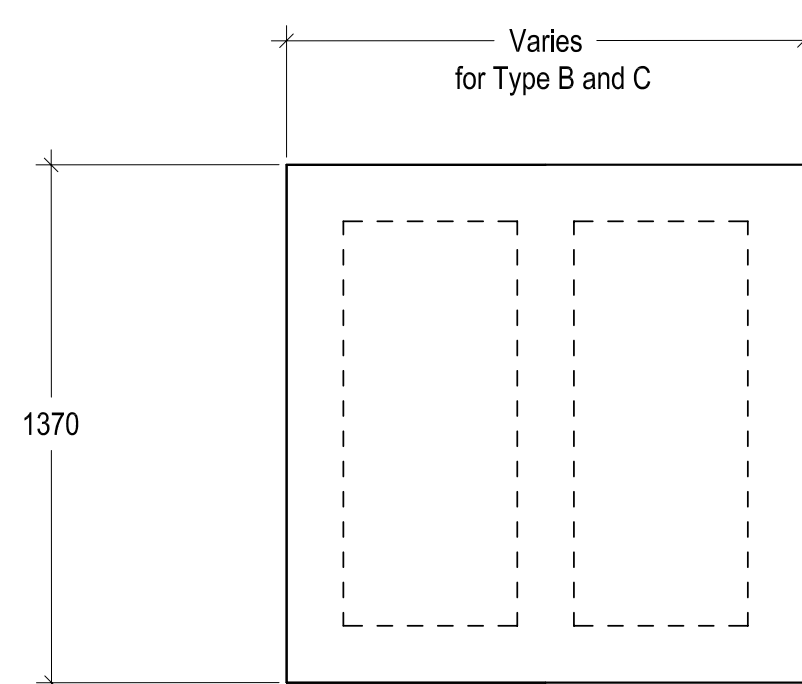
5 TYPICAL PRECAST TREE GRATE IN SIDEWALK - SECTION
L4 SCALE 1:20



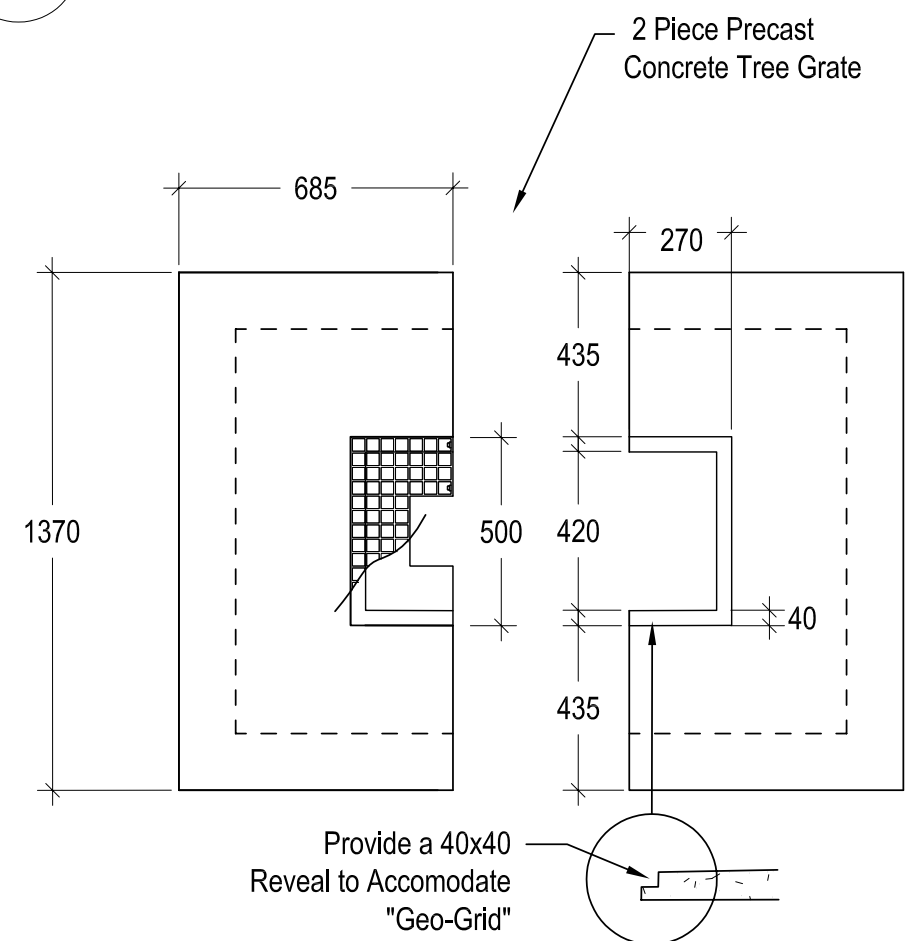
9 TYPICAL TRENCH IN SIDEWALK AT ELGIN AND PLAZA - SECTION
L4 SCALE 1:20



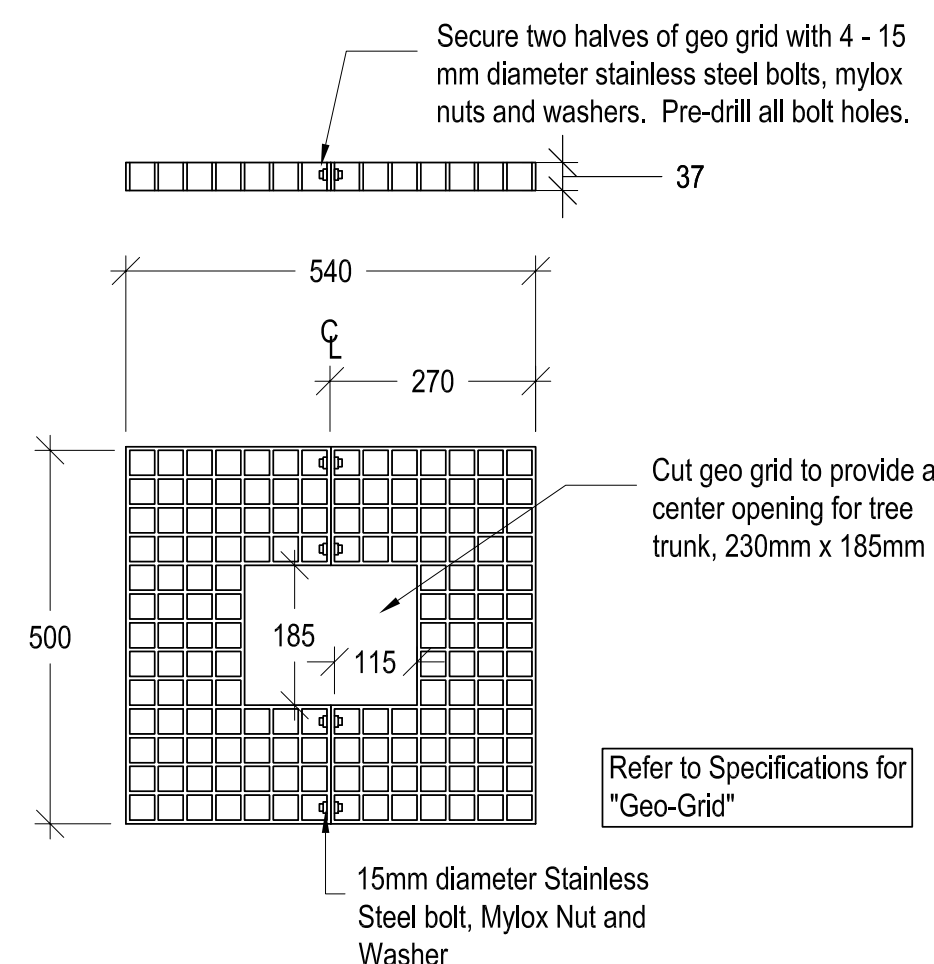
1 ADELAIDE STREET NORTH
L4 SCALE 1:100



4 PRECAST TRENCH COVER TYPE B AND C - TOP VIEW
L4 SCALE 1:20



6 PRECAST TREE GRATE TYPE A - TOP VIEW
L4 SCALE 1:20



7 "GEO-GRID" SECTION AND PLAN
L4 SCALE 1:10

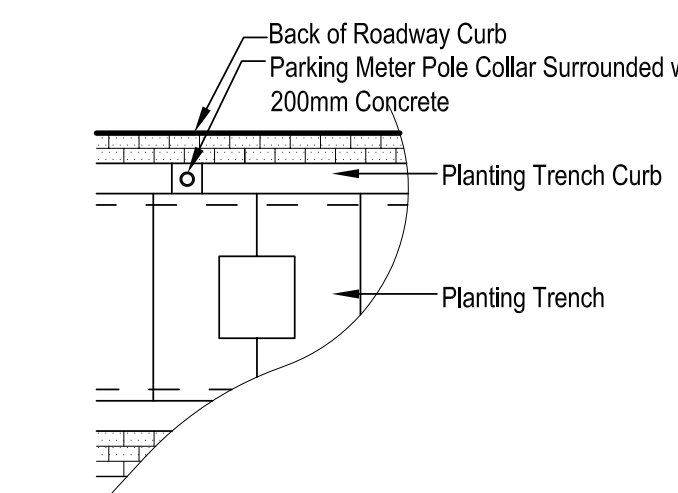
NOTE: PRECAST TREE GRATES AND TRENCH COVERS

	Type	Dimensions
Precast Trench Tree Grate*	A	1370 x 1350
		*2 Equal Pieces with "Geo-Grid" Insert
Precast Trench Covers	B	1370 x 1370
	C	1370 x 1150

NOTE: Precast Trench Covers

1. Contractor to provide shop drawings for precast trench covers and grates for review and approval by Contract Administrator.
2. All trench curbs to be laid out by Contractor; reviewed and approved by Contract Administrator prior to construction.
3. All finished grades of trench curbs and precast trench covers and grates to be coordinated to meet sidewalk and roadway curb grades.
4. Trench covers and curbs must slope to facilitate drainage, refer to C101 for grades.
5. Contractor to ensure minimum space of 4mm between trench curb and covers.
6. Contractor to ensure finished grades of precast covers and trench curbs are flush and level with each other, with sidewalk and pavers.

8 POLE COLLAR LOCATION
L4 SCALE 1:50



LOCATION APPROVED UNDERGROUND STRUCTURES

Supv. U/G STRUCTURES COMMITTEE DATE

NOTE: LOCATION OF UNDERGROUND STRUCTURES AS SHOWN ARE BASED ON THE BEST INFORMATION AVAILABLE BUT NO GUARANTEE IS GIVEN THAT ALL EXISTING UTILITIES ARE SHOWN OR THAT THE GIVEN LOCATIONS ARE EXACT. CONFIRMATION OF EXISTENCE AND EXACT LOCATION OF ALL SERVICES MUST BE OBTAINED FROM THE INDIVIDUAL UTILITIES BEFORE PROCEEDING WITH CONSTRUCTION.

All measurements in millimeters, unless otherwise noted.

NO.	REVISIONS	DATE	BY
B	ISSUED FOR TENDER	15/06/04	CO
A	ISSUED FOR REVIEW		

SCATLIFF+MILLER+MURRAY
landscape architecture urban design golf course design bridge architecture 3d simulation

DESIGNED BY	CO / RL	CHECKED BY	CO
DRAWN BY	RL/BGS	APPROVED BY	
HOR. SCALE:	AS SHOWN	RELEASED FOR CONSTRUCTION:	
VERTICAL:			
DATE	15/06/2004	DATE	

LANDSCAPE ARCHITECT'S SEAL

CHERYL OAKDEN
member no. 61

THE CITY OF WINNIPEG
DEPARTMENT OF PLANNING,
PROPERTY AND DEVELOPMENT

Winnipeg

PROJECT TITLE: RED RIVER COLLEGE PRINCESS STREET CAMPUS STREETSCAPING

ADELAIDE STREET NORTH

SHEET 04 OF 07
COMPUTER FILE NAME: REDRIVER-PLOT.DWG
CITY DRAWING NUMBER: L4

FOR BIDDING PURPOSES ONLY