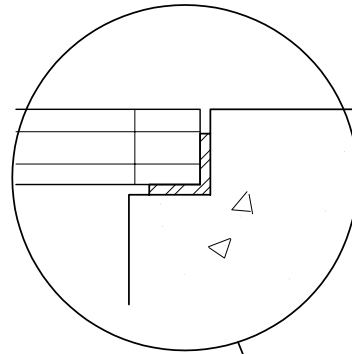
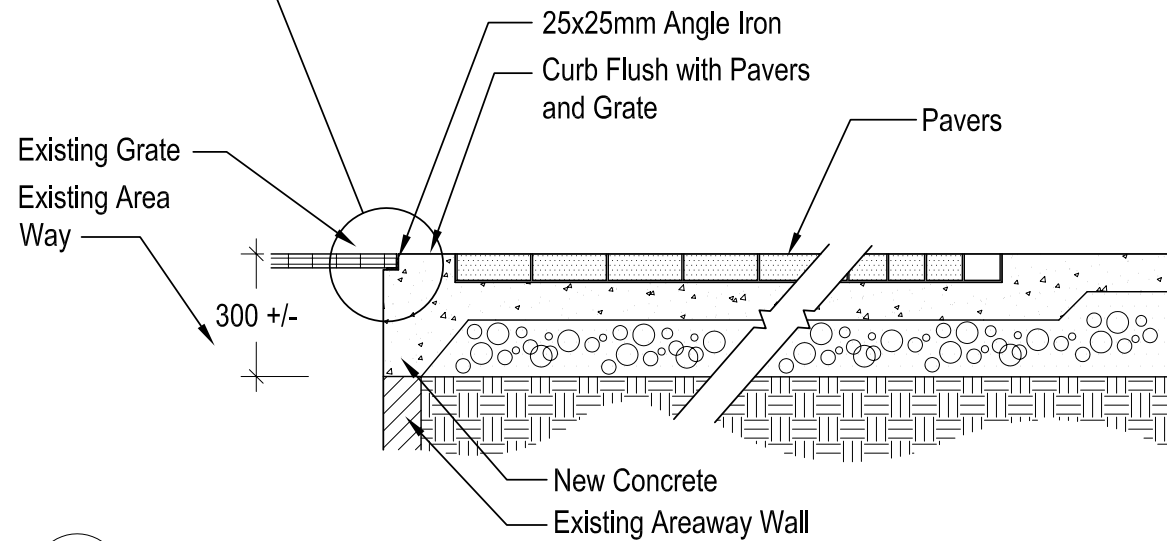


KEY MAP  
SCALE 1:100



NOTE:  
Field verify Existing Grate dimension and Existing Areaway wall dimensions prior to construction.



1 SECTION  
SK 2 SCALE 1:20



PROJECT  
RED RIVER COLLEGE  
PRINCESS STREET CAMPUS  
94-2004

DRAWING TITLE  
SECTION AT EXISTING AREAWAY  
- NORTH ENTRY -



DRAWN BY RL  
CHECKED  
SCALE AS NOTED  
DATE JULY 06, 2004  
DWG. NO. SK 2