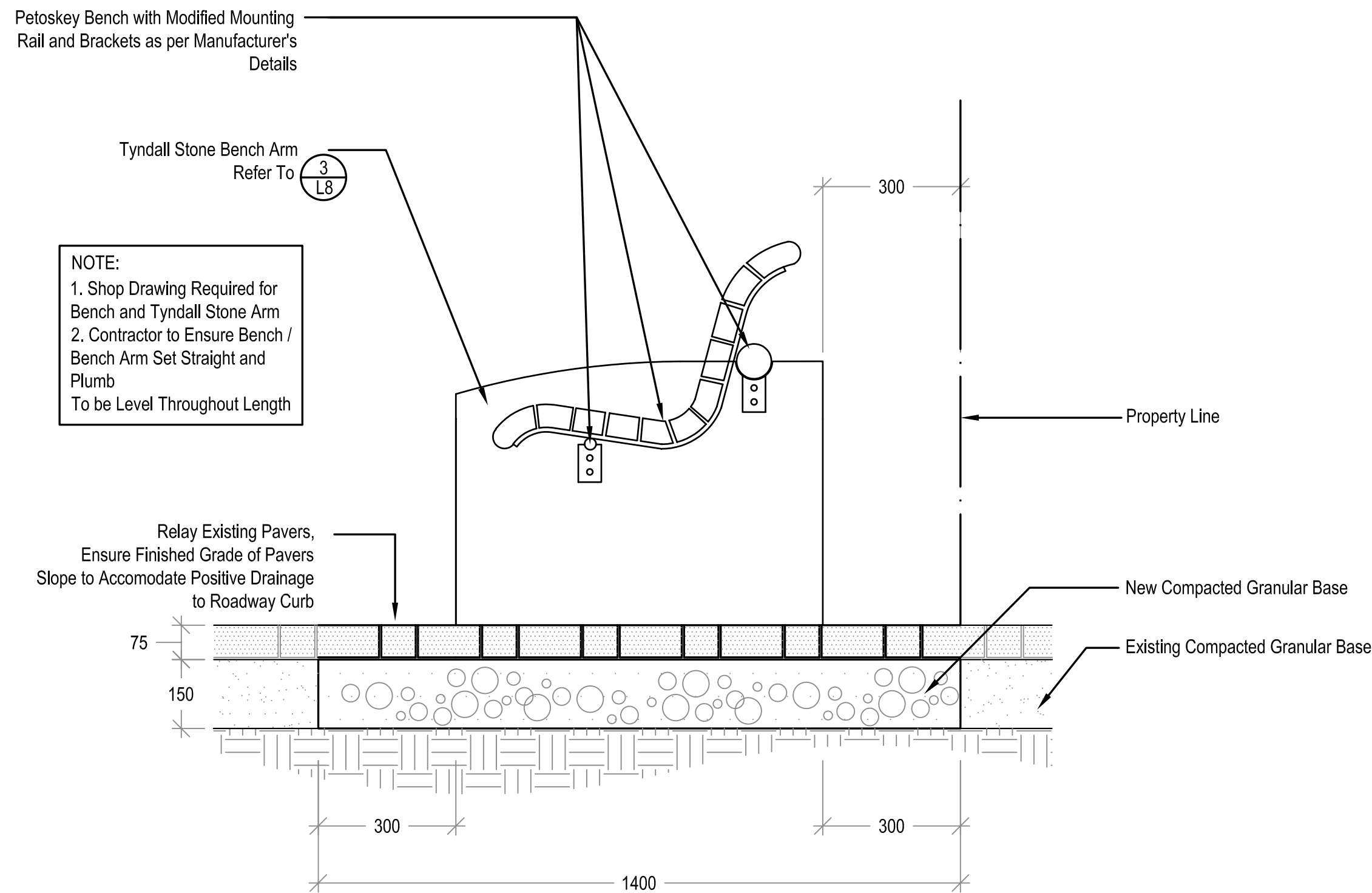
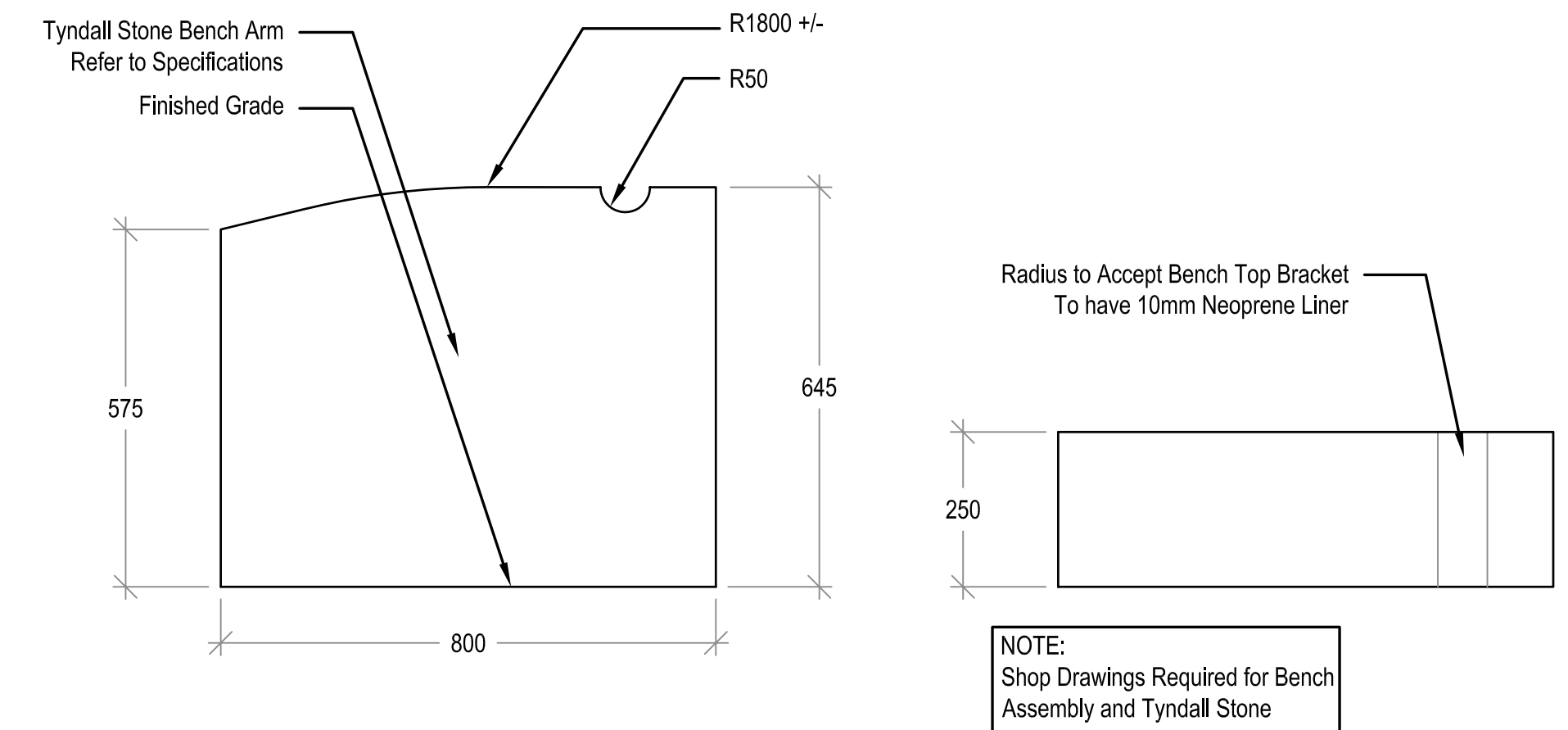


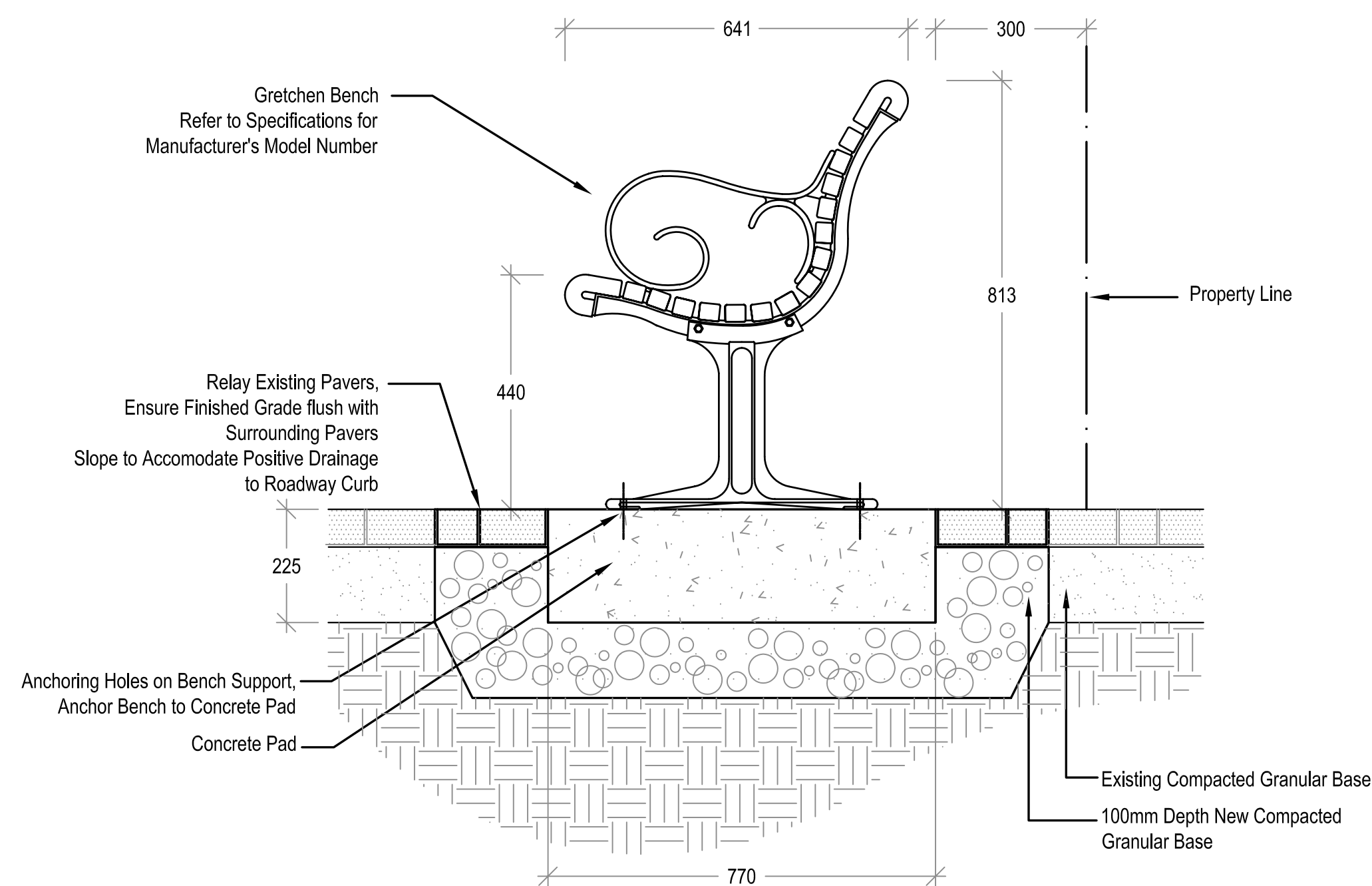
1 BENCH TYPE A - PLAN VIEW
L8 SCALE 1:20



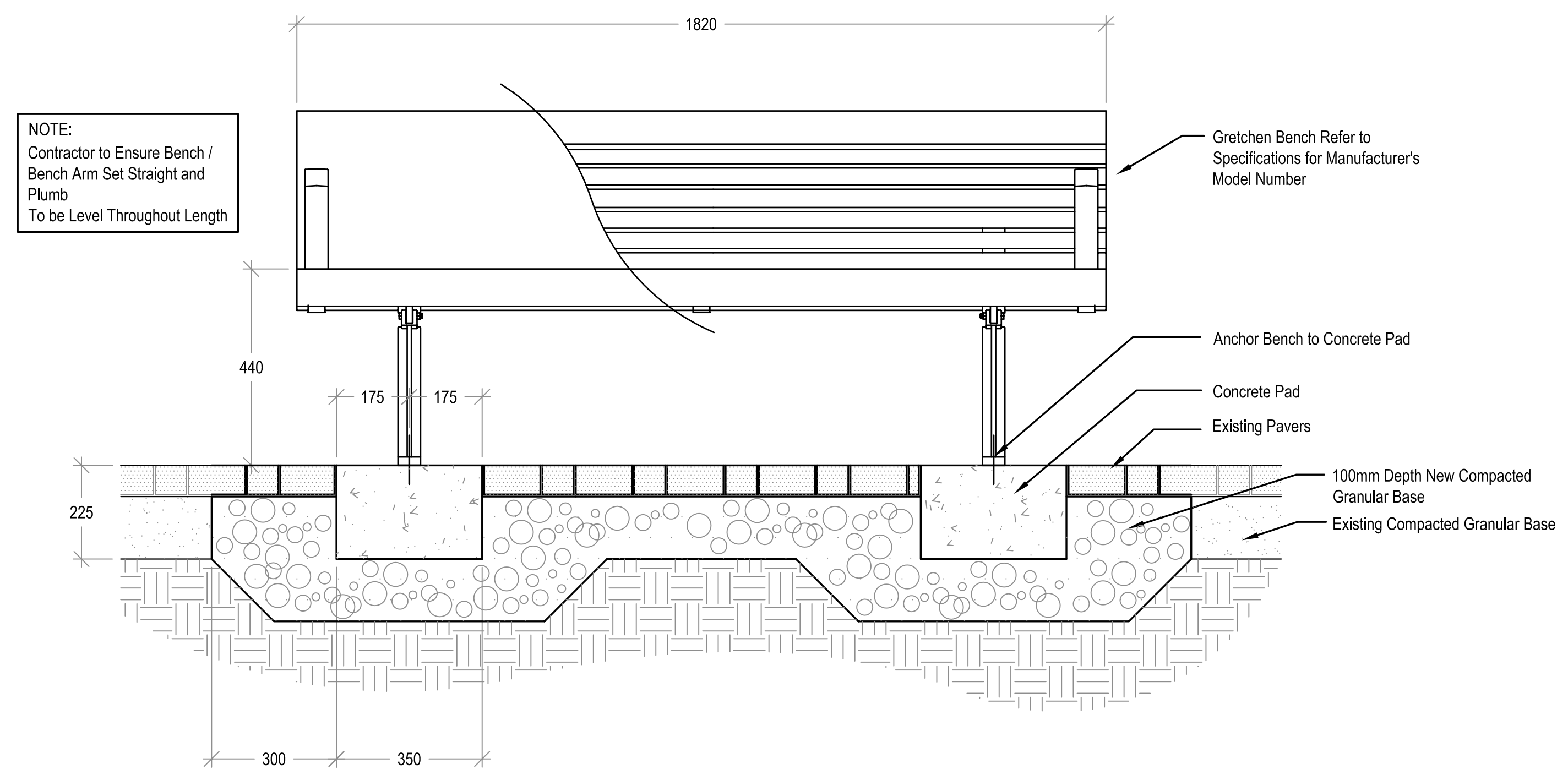
2 BENCH TYPE A - SECTION
L8 SCALE 1:10



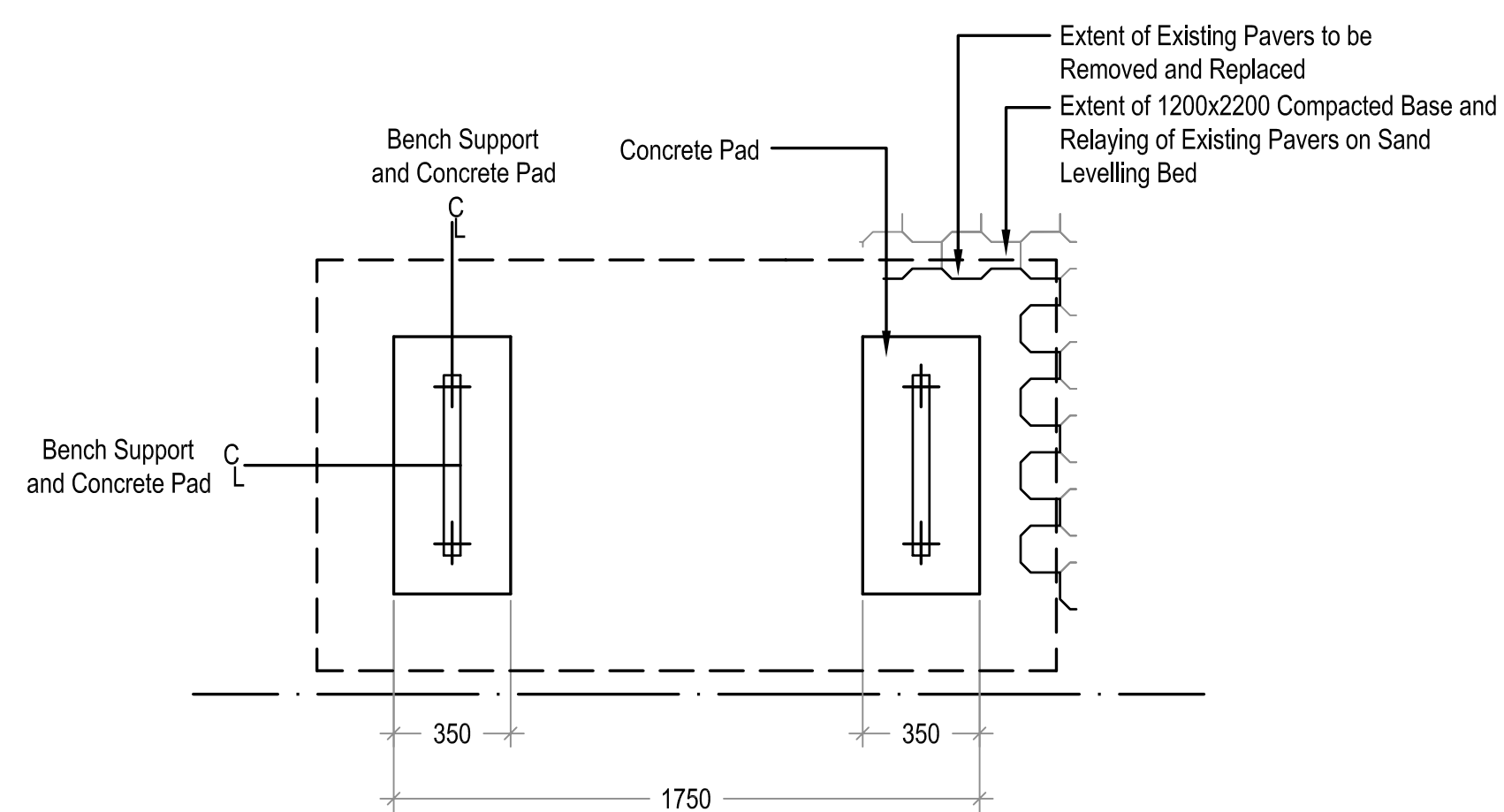
3 BENCH TYPE A ARM - ELEVATION AND PLAN VIEW
L8 SCALE 1:10



4 BENCH TYPE B - SECTION
L8 SCALE 1:10



6 BENCH TYPE B - ELEVATION
L8 SCALE 1:10



5 CONCRETE PAD FOR BENCH TYPE B - PLAN VIEW
L8 SCALE 1:20

PRELIMINARY-NOT FOR CONSTRUCTION

LOCATION APPROVED UNDERGROUND STRUCTURES

SUPV. U/G STRUCTURES COMMITTEE DATE

NOTE:
LOCATION OF UNDERGROUND STRUCTURES AS SHOWN ARE BASED ON THE BEST INFORMATION AVAILABLE BUT NO GUARANTEE IS GIVEN THAT ALL EXISTING UTILITIES ARE SHOWN OR THAT THE GIVEN LOCATIONS ARE EXACT. CONFIRMATION OF EXISTENCE AND EXACT LOCATION OF ALL SERVICES MUST BE OBTAINED FROM THE INDIVIDUAL UTILITIES BEFORE PROCEEDING WITH CONSTRUCTION.

All measurements in millimeters, unless otherwise noted.

DESIGNED BY	CO	CHECKED BY	
DRAWN BY	RL/AVG	APPROVED BY	
HOR. SCALE:	AS SHOWN	RELEASED FOR CONSTRUCTION:	
VERTICAL:		DATE	8/30/04
NO. REVISIONS		DATE	8/30/04



LANDSCAPE ARCHITECT'S SEAL



THE CITY OF WINNIPEG
DEPARTMENT OF PLANNING,
PROPERTY AND DEVELOPMENT

PROJECT TITLE
PROVENCER BOULEVARD
STREETSCAPING

SITE FURNISHINGS
BENCH DETAILS

SHEET OF 08 11

COMPUTER FILE NAME
319 PROVENCER.DWG

CITY DRAWING NUMBER
L8