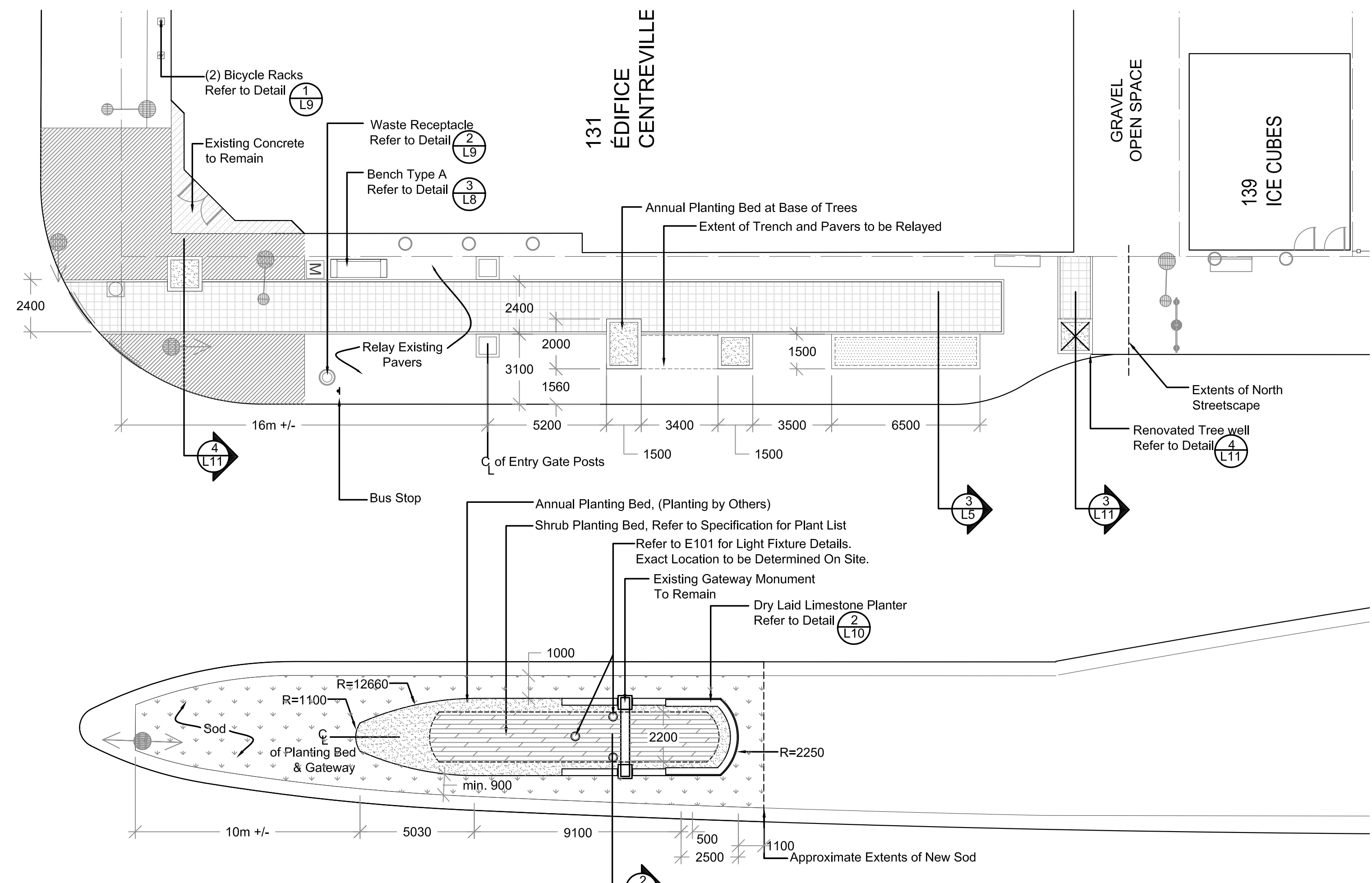
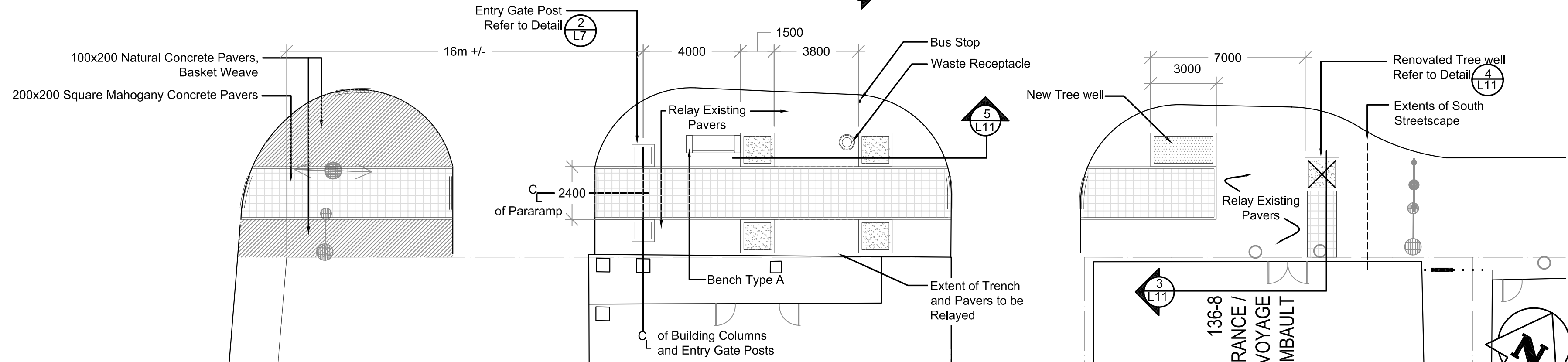


AVE TACHÉ

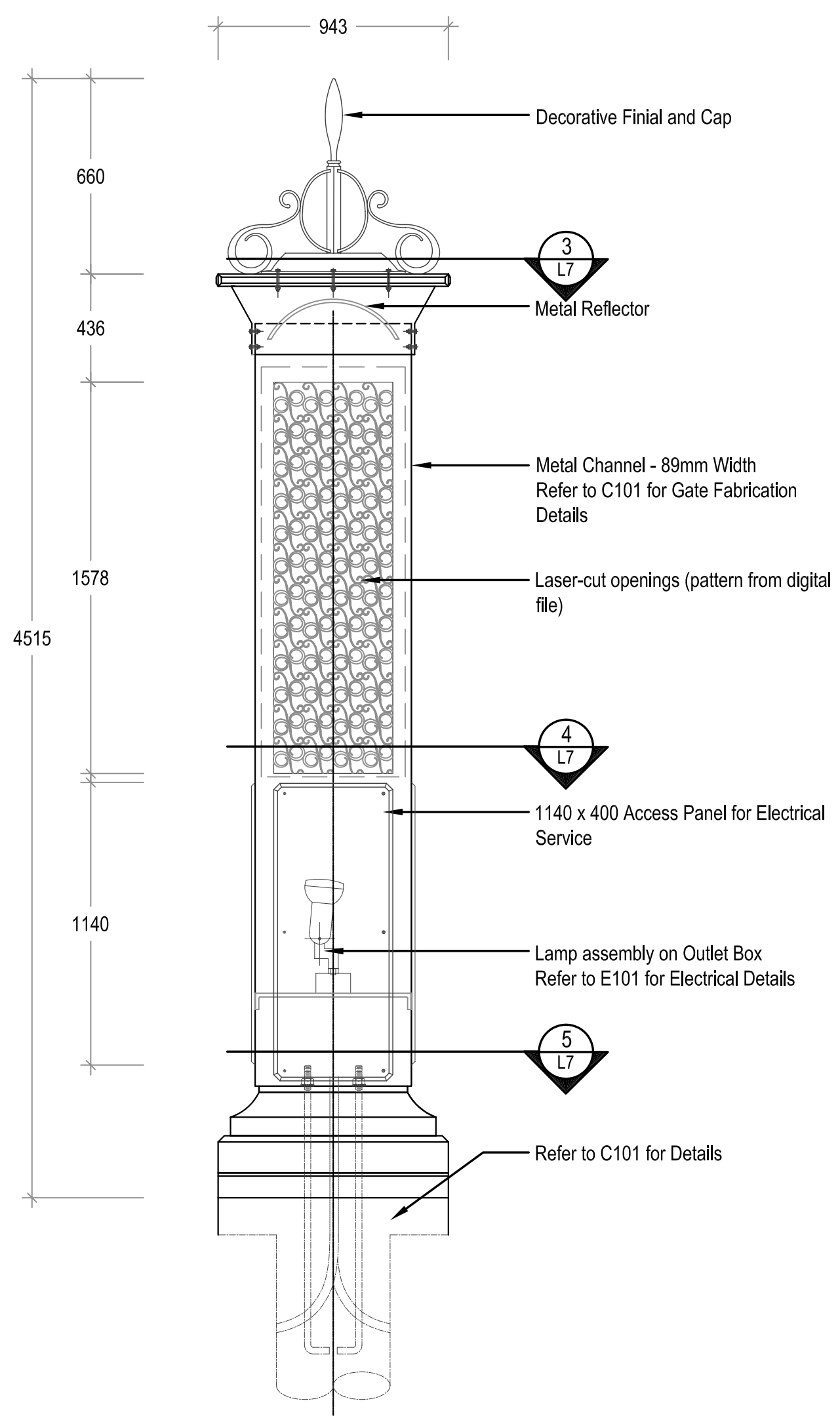


1 ENTRY AREA PAVING AND PLANTING LAYOUT
SCALE 1:150

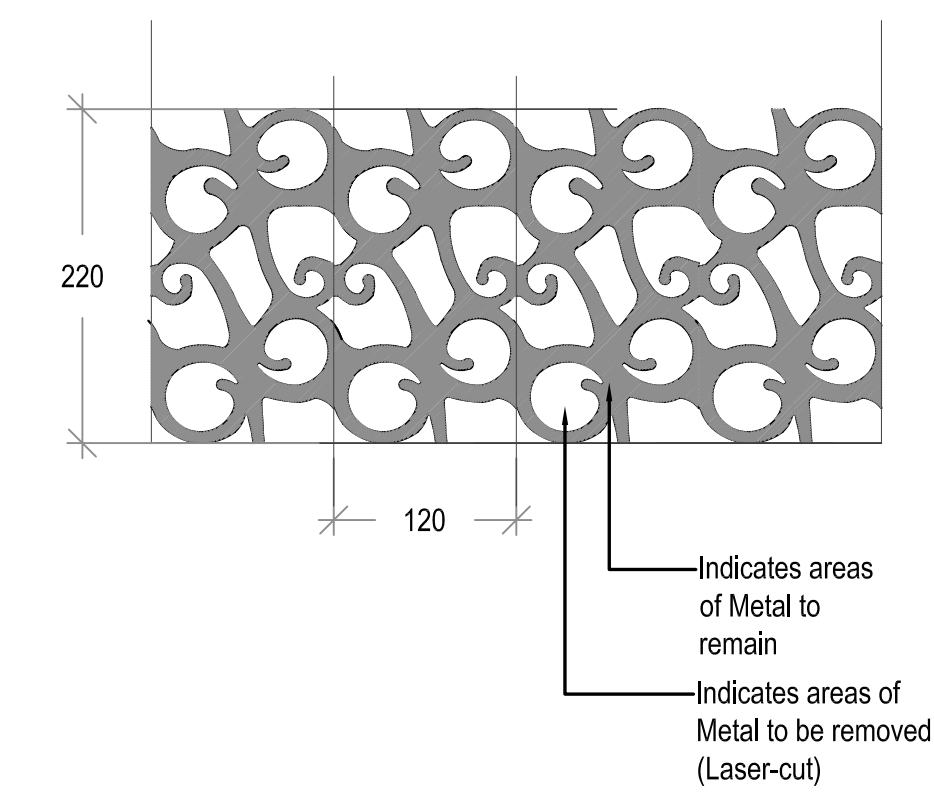


7 ENTRY GATE POST - GRANITE DETAIL
SCALE

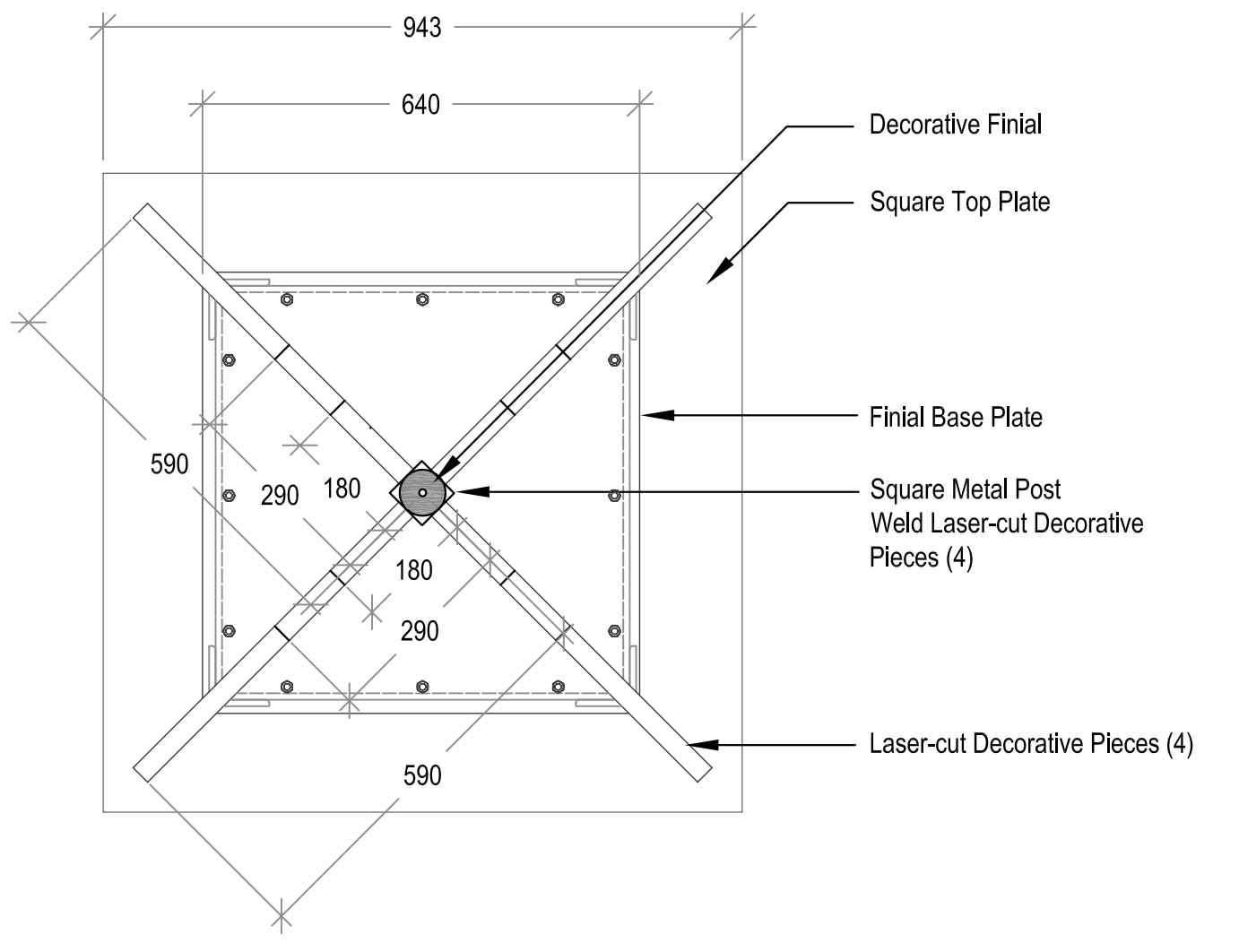
PRELIMINARY-NOT FOR CONSTRUCTION



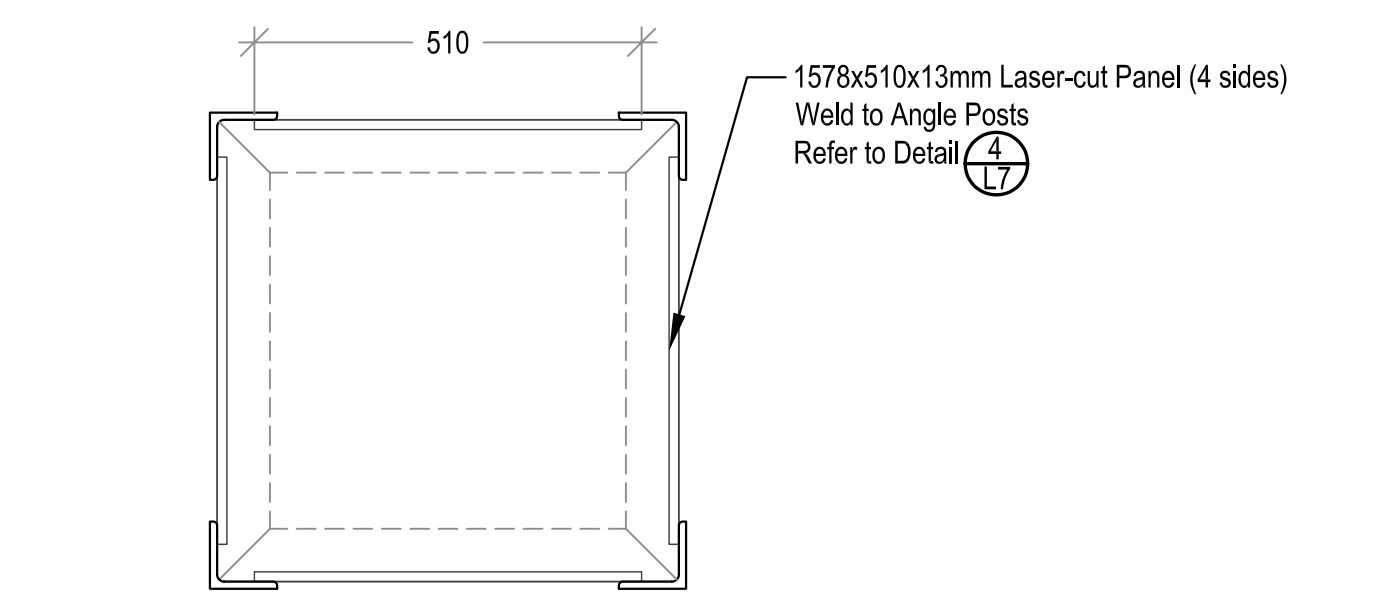
2 ENTRY GATE POST - SIDE ELEVATION
SCALE 1:20



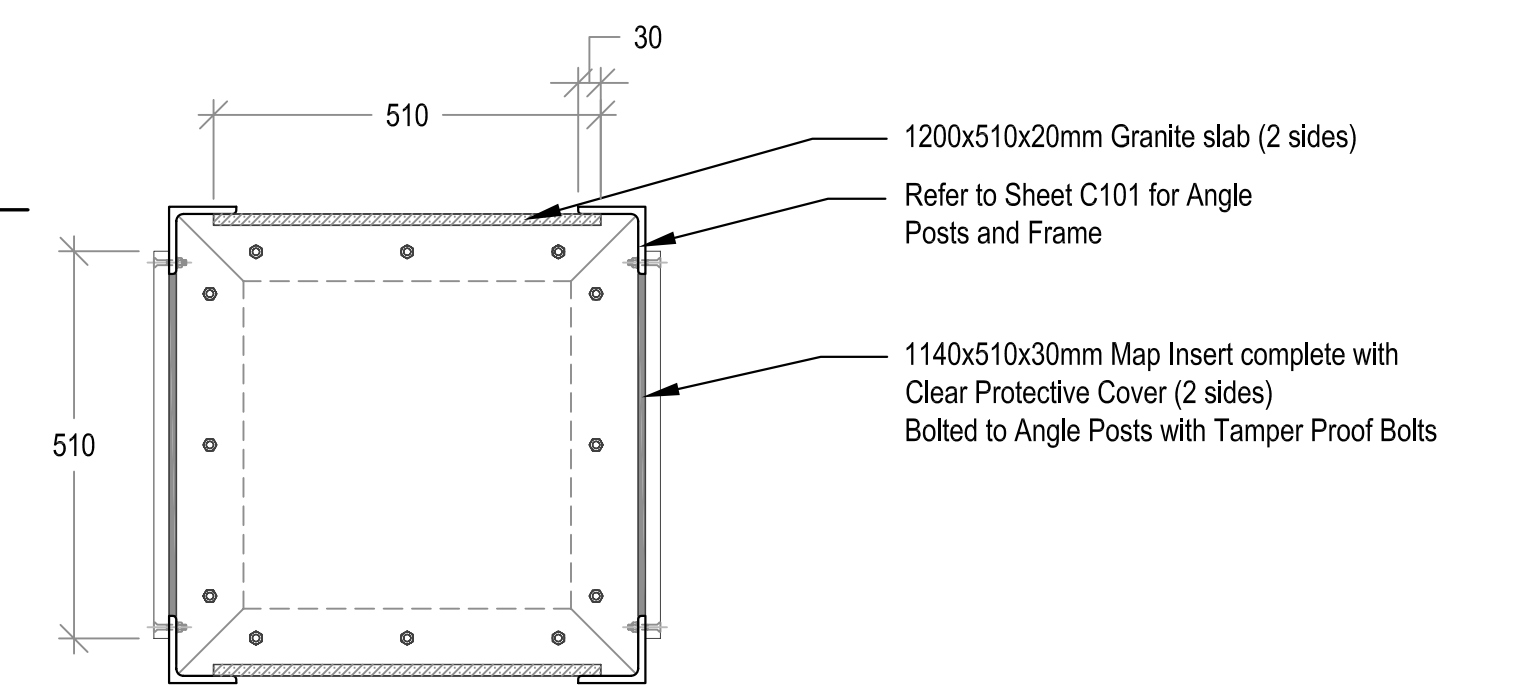
6 DETAIL - LASER-CUT PANEL
SCALE 1:5



3 ENTRY GATE POST - PLAN VIEW C
SCALE 1:10



4 ENTRY GATE POST - PLAN VIEW B
SCALE 1:10



5 ENTRY GATE POST - PLAN VIEW A
SCALE 1:10

LEGEND					
EXISTING	ITEM	NEW	EXISTING	ITEM	NEW
○	Tree	●	□	Transit Shelter	
○	Shrub		○	Sidewalk Planters	
⊕	Street Light		⊕	Electrical Outlet	
⊕	Decorative Light				
⊕	Traffic Signal				
⊕	Utility Pedestal				

LOCATION APPROVED UNDERGROUND STRUCTURES
 SUPV. U/G STRUCTURES COMMITTEE DATE
 NOTE:
 LOCATION OF UNDERGROUND STRUCTURES AS SHOWN ARE BASED ON THE BEST INFORMATION AVAILABLE BUT NO GUARANTEE IS GIVEN THAT ALL EXISTING UTILITIES ARE SHOWN OR THAT THE GIVEN LOCATIONS ARE EXACT. CONFIRMATION OF EXISTENCE AND EXACT LOCATION OF ALL SERVICES MUST BE OBTAINED FROM THE INDIVIDUAL UTILITIES BEFORE PROCEEDING WITH CONSTRUCTION.

All measurements in millimeters, unless otherwise noted.

NO.	REVISIONS	DATE	BY
1	ISSUED FOR TENDER	8/30/04	

SCATLIFF + MILLER + MURRAY
 LANDSCAPE ARCHITECTS

DESIGNED BY CO	CHECKED BY
DRAWN BY RL/AVG	APPROVED BY
HOR. SCALE: AS SHOWN	RELEASED FOR CONSTRUCTION:
VERTICAL:	DATE

LANDSCAPE ARCHITECT'S SEAL

THE CITY OF WINNIPEG
 DEPARTMENT OF PLANNING,
 PROPERTY AND DEVELOPMENT

Winnipeg

PROJECT TITLE
 PROVENCHER BOULEVARD
 STREETSCAPING

ENTRY AREA
 LAYOUT AND DETAILS

SHEET 07 OF 11
 COMPUTER FILE NAME
 319 PROVENCHER.DWG
 CITY DRAWING NUMBER
 L7