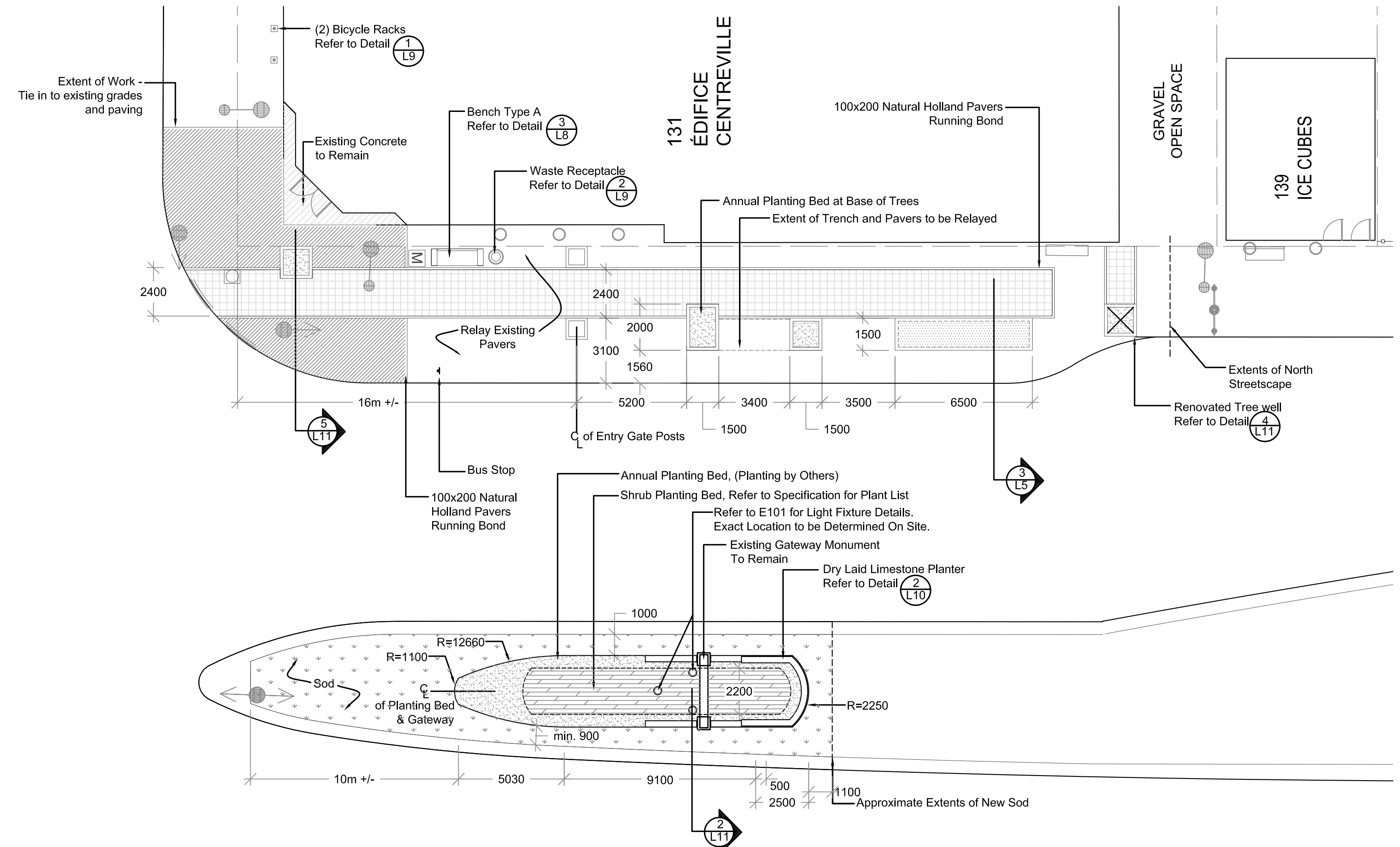
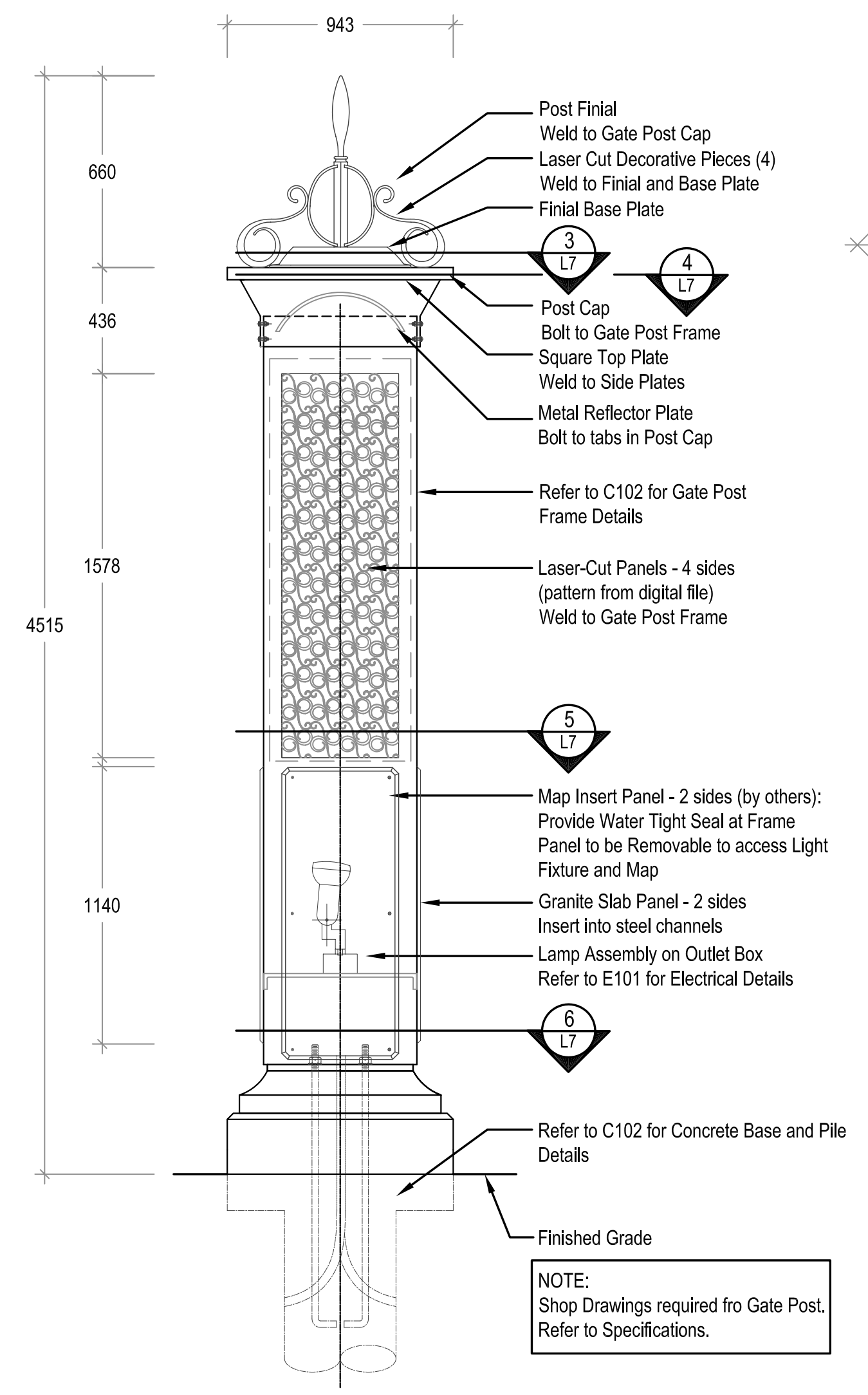


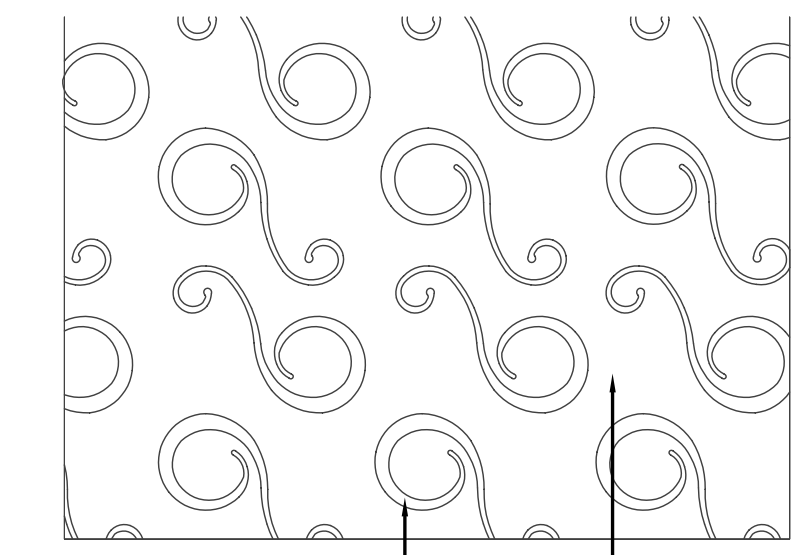
AVE TACHÉ



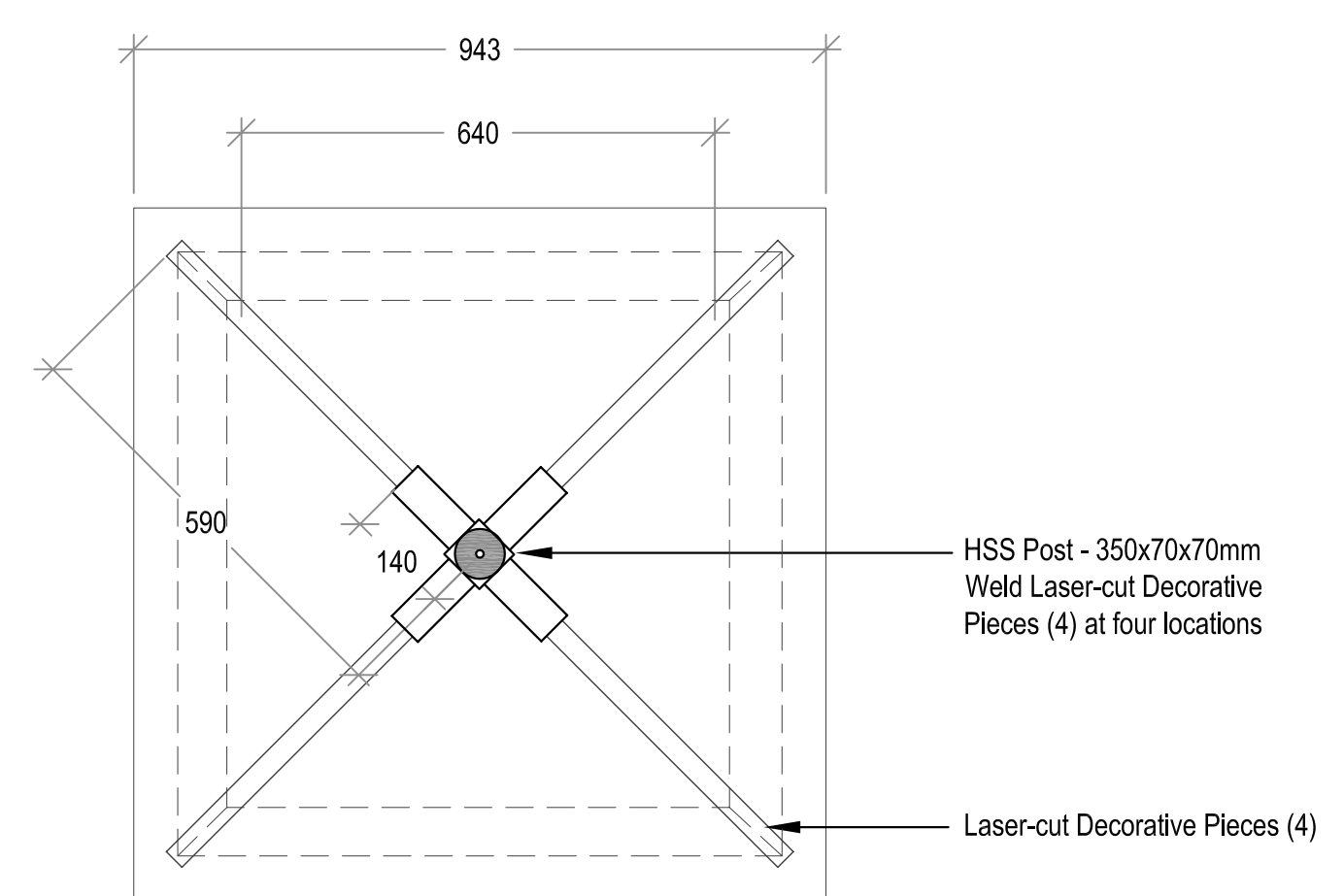
1 ENTRY AREA PAVING AND PLANTING LAYOUT
SCALE 1:150



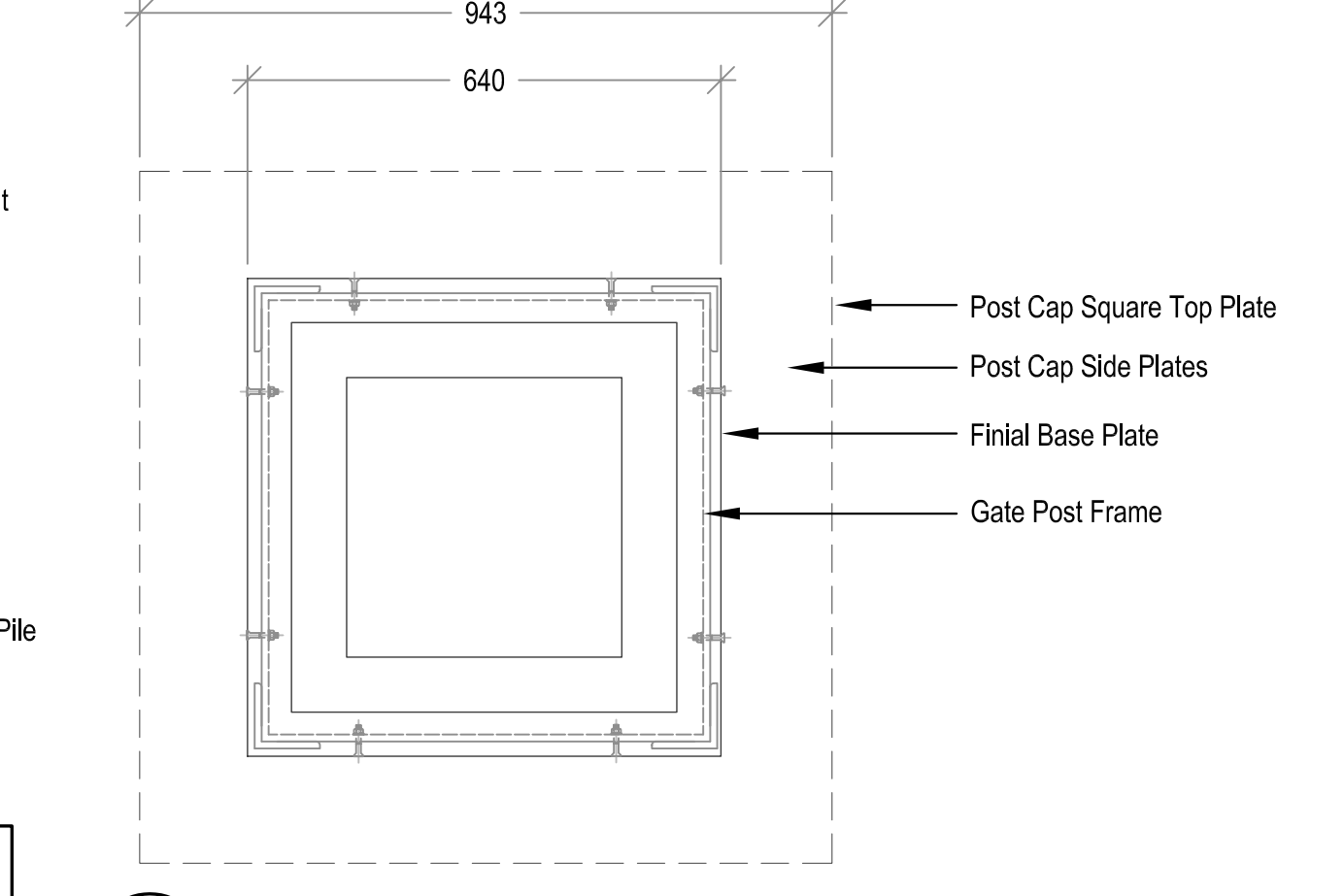
2 ENTRY GATE POST - SIDE ELEVATION
SCALE 1:20



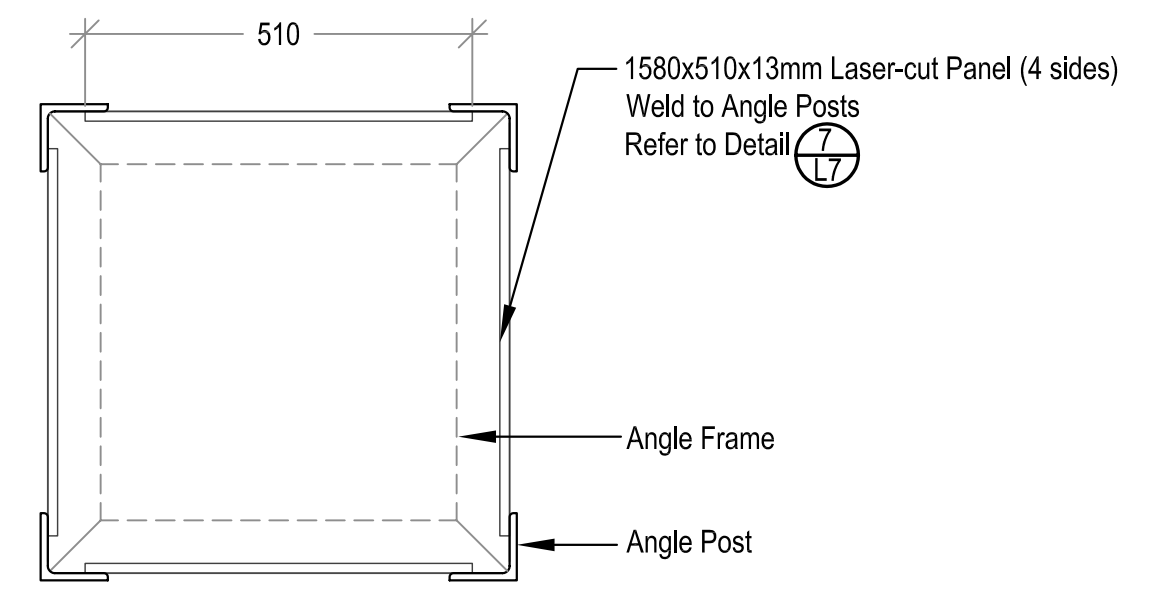
7 DETAIL - LASER-CUT PANEL
SCALE 1:5



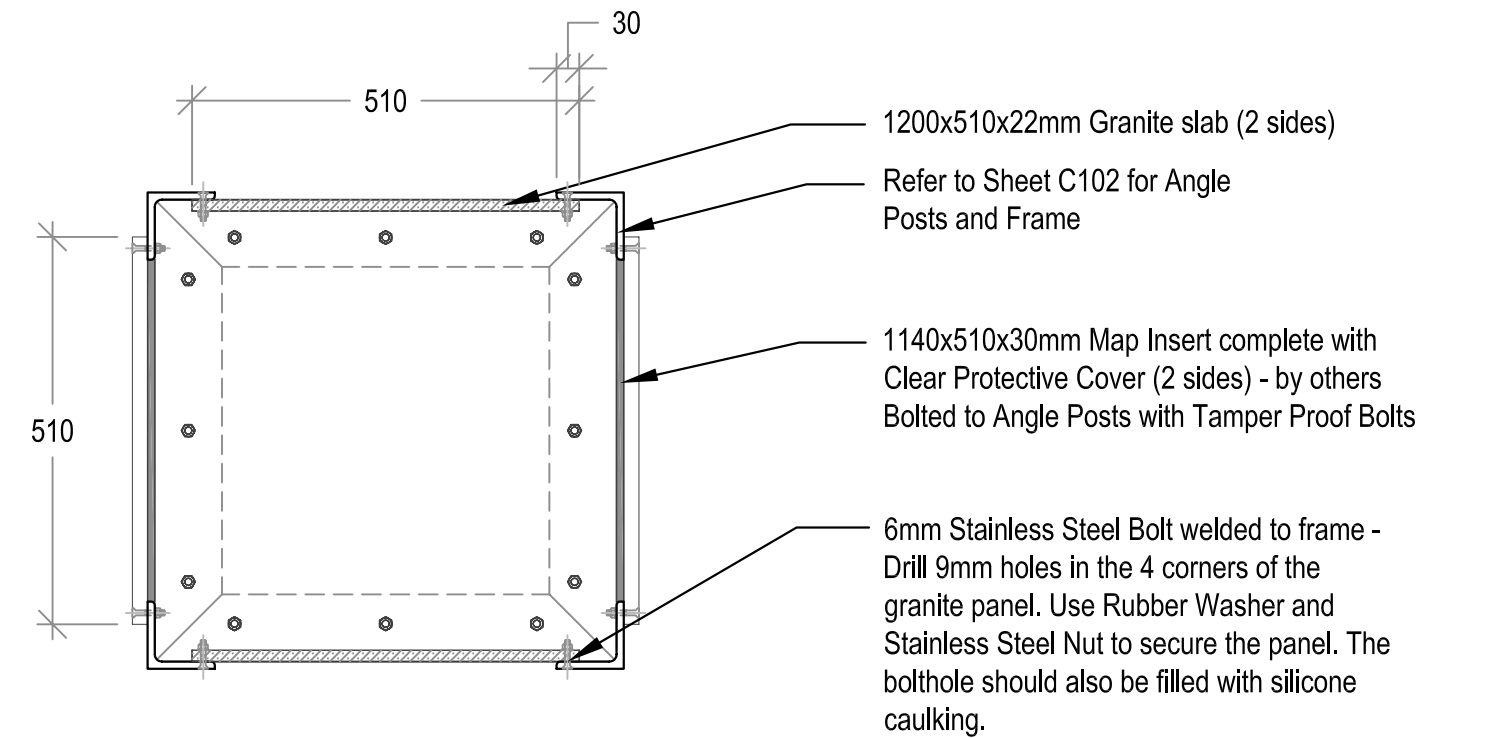
3 POST FINIAL - PLAN VIEW
SCALE 1:10



4 POST CAP - PLAN VIEW
SCALE 1:10



5 ENTRY GATE POST - PLAN VIEW
SCALE 1:10



6 ENTRY GATE POST - PLAN VIEW
SCALE 1:10

PRELIMINARY-NOT FOR CONSTRUCTION

LEGEND		EXISTING	NEW	EXISTING	NEW
○	Tree	○	○	□	Transit Shelter
○	Shrub	○	○	○	Sidewalk Planters
○	Street Light	○	○	○	Electrical Outlet
○	Decorative Light				
○	Traffic Signal				
○	Utility Pedestal				

LOCATION APPROVED UNDERGROUND STRUCTURES		EXISTING	NEW
SUPV. U/G STRUCTURES COMMITTEE	DATE		

NOTE:
LOCATION OF UNDERGROUND STRUCTURES AS SHOWN ARE BASED ON THE BEST INFORMATION AVAILABLE BUT NO GUARANTEE IS GIVEN THAT ALL EXISTING UTILITIES ARE SHOWN OR THAT THE GIVEN LOCATIONS ARE EXACT. CONFIRMATION OF EXISTENCE AND EXACT LOCATION OF ALL SERVICES MUST BE OBTAINED FROM THE INDIVIDUAL UTILITIES BEFORE PROCEEDING WITH CONSTRUCTION.

All measurements in millimeters, unless otherwise noted.			
NO.	REVISIONS	DATE	BY
2	REVISION	9/13/04	
1	ISSUED FOR TENDER	8/30/04	

DESIGNED BY		CHECKED BY	
CO			
DRAWN BY		APPROVED BY	
RL/AVG			
HOR. SCALE:		RELEASED FOR CONSTRUCTION:	
AS SHOWN			
VERTICAL:		DATE	
		7/23/04	

LANDSCAPE ARCHITECT'S SEAL

THE CITY OF WINNIPEG
DEPARTMENT OF PLANNING,
PROPERTY AND DEVELOPMENT

Winnipeg

PROJECT TITLE: PROVENCHER BOULEVARD STREETSCAPING

ENTRY AREA LAYOUT AND DETAILS

SHEET 07 OF 11
COMPUTER FILE NAME: 319 PROVENCHER.DWG
CITY DRAWING NUMBER: L7 - R2