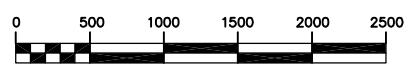
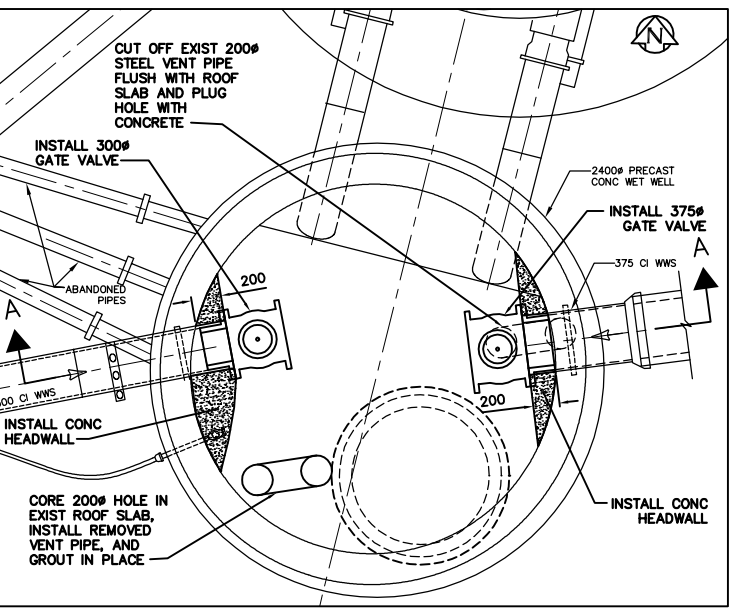


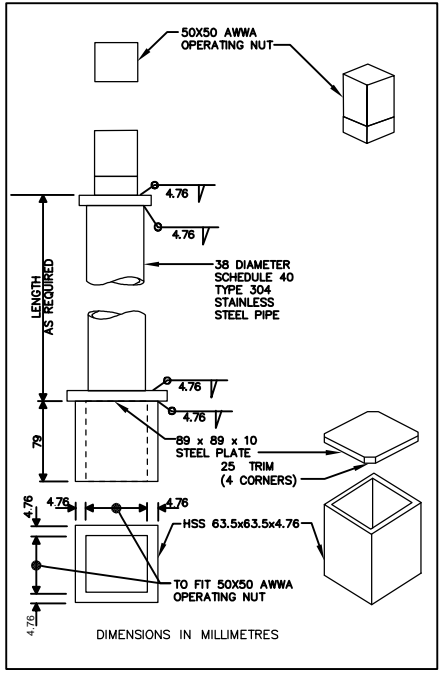
SECTION A-A
SCALE 1:25



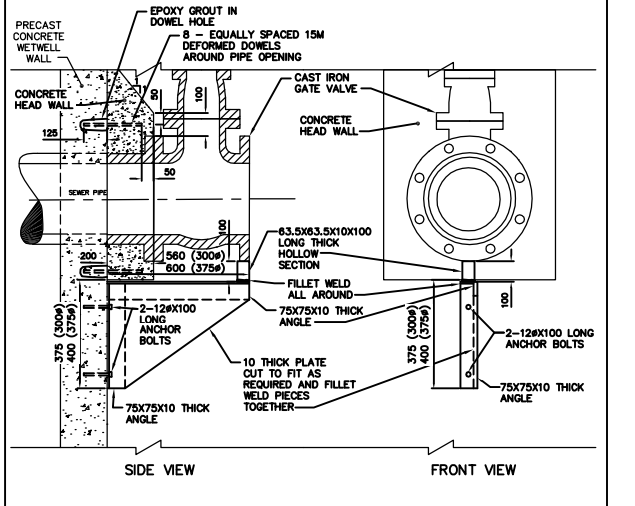
- CONSTRUCTION NOTES:**
1. ALLOWABLE SHUTDOWN TIME : 8.0 HOURS. (APPROXIMATE)
 2. CRITICAL BASEMENT ELEVATION: 229.082
 3. ALL NUTS, BOLTS, ANCHORS, AND FASTENERS TO BE ASTM A276 TYPE 316 STAINLESS STEEL.
 4. ALL STRUCTURAL STEEL TO BE ASTM A240 TYPE 304 STAINLESS STEEL.
 5. EXCAVATION TO BE BACKFILLED WITH CLASS 3 OR 5 BACKFILL IN ACCORDANCE CW 2030 AND SD-002.
 6. ALL DISTURBED GRASSED AREAS TO BE RESTORED BY SODDING USING IMPORTED TOPSOIL IN ACCORDANCE WITH CW 3510.
 7. INSTALL RISER SECTIONS IN ACCORDANCE WITH CW 2130.
 8. PROVIDE TEMPORARY PUMPING OF WASTEWATER FLOW DURING CONSTRUCTION.
 9. DO NOT REMOVE EXISTING TREES. PROVIDE TREE PROTECTION IN ACCORDANCE WITH SPECIFICATIONS.
 10. CUT VENT PIPE FLUSH WITH ROOF SLAB AND FILL HOLE.
 11. CORE NEW HOLE FOR RELOCATION OF VENT PIPE.



PLAN AT ELEV 228.00
SCALE 1:25



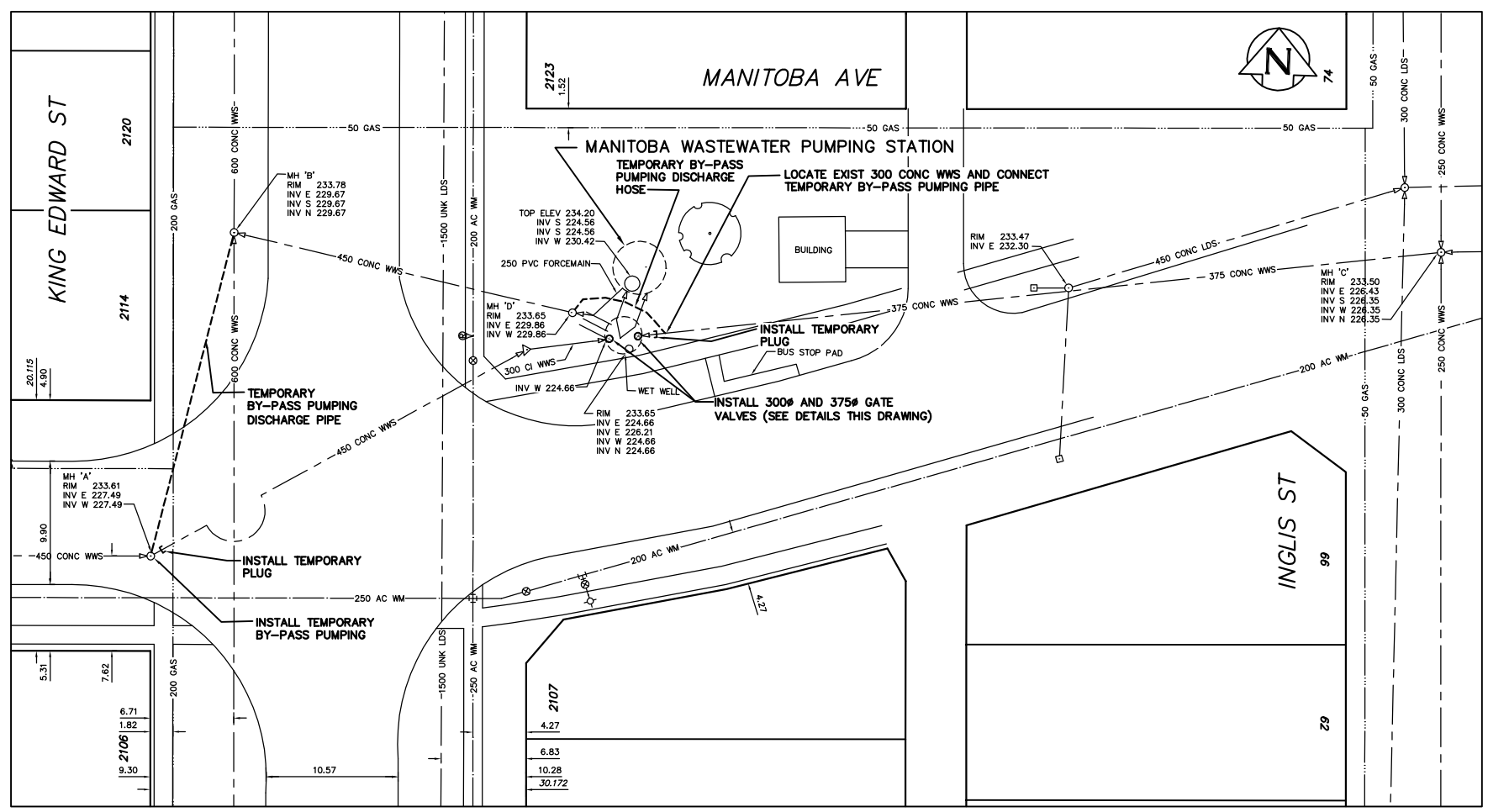
VALVE STEM EXTENSION DETAIL
SCALE N.T.S.



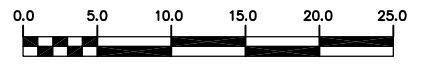
VALVE SUPPORT DETAIL
SCALE N.T.S.

WARNING
IF POWER EQUIPMENT OR EXPLOSIVES ARE TO BE USED FOR EXCAVATION ON THIS PROJECT THE CONTRACTOR MUST:
1) NOTIFY THE GAS COMPANY OF THE PROPOSED LOCATION OF EXCAVATION
2) TAKE PRECAUTION TO AVOID DAMAGE TO GAS COMPANY INSTALLATIONS.
SEE PROVINCIAL REGULATION 210/72 FOR DETAILS

METRIC
WHOLE NUMBERS INDICATE MILLIMETRES
DECIMALIZED NUMBERS INDICATE METRES



SITE PLAN
SCALE 1:250



B.M. 35-024 ELEV. 230.714		CITY OF WINNIPEG WATER AND WASTE ENGINEERING DIVISION		ENGINEER'S SEAL ORIGINAL SIGNED BY K.R. ZUREK 04/12/06		THE CITY OF WINNIPEG WATER AND WASTE DEPARTMENT	
DESIGNED BY DB CHECKED BY TW		DRAWN BY WKT/CJH APPROVED BY KZ		SCALE AS SHOWN RELEASED FOR CONSTRUCTION		BID OPPORTUNITY: 579-2004 FILENAME: 05523_05526.dwg PLOT DATE: 2004.12.06	
NO. REVISIONS DATE BY		DATE 2004.12.03		SHEET 4 OF 7		MANITOBA WASTEWATER PUMPING STATION 05526	