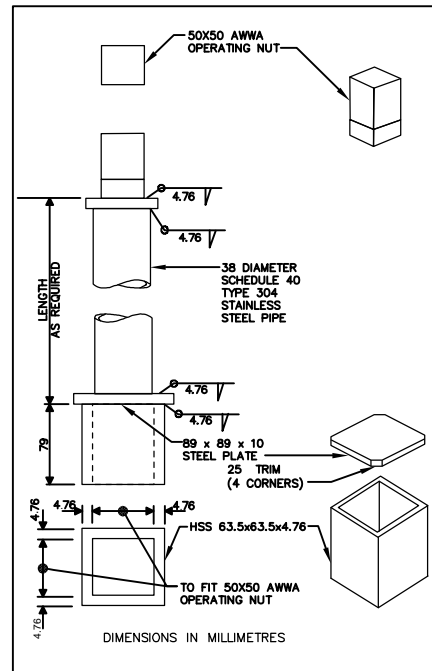


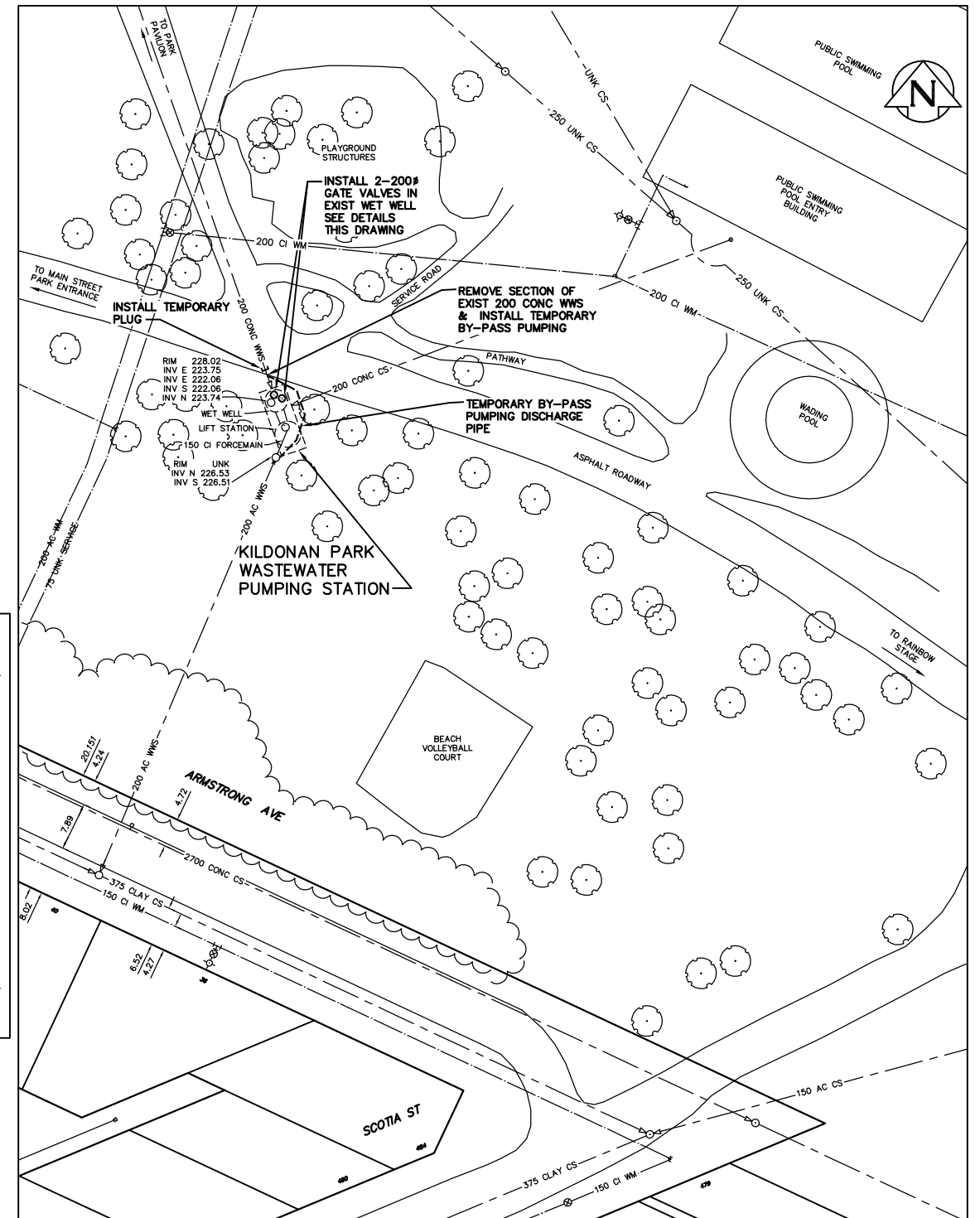
PLAN AT ELEV 225.00

SCALE 1:25



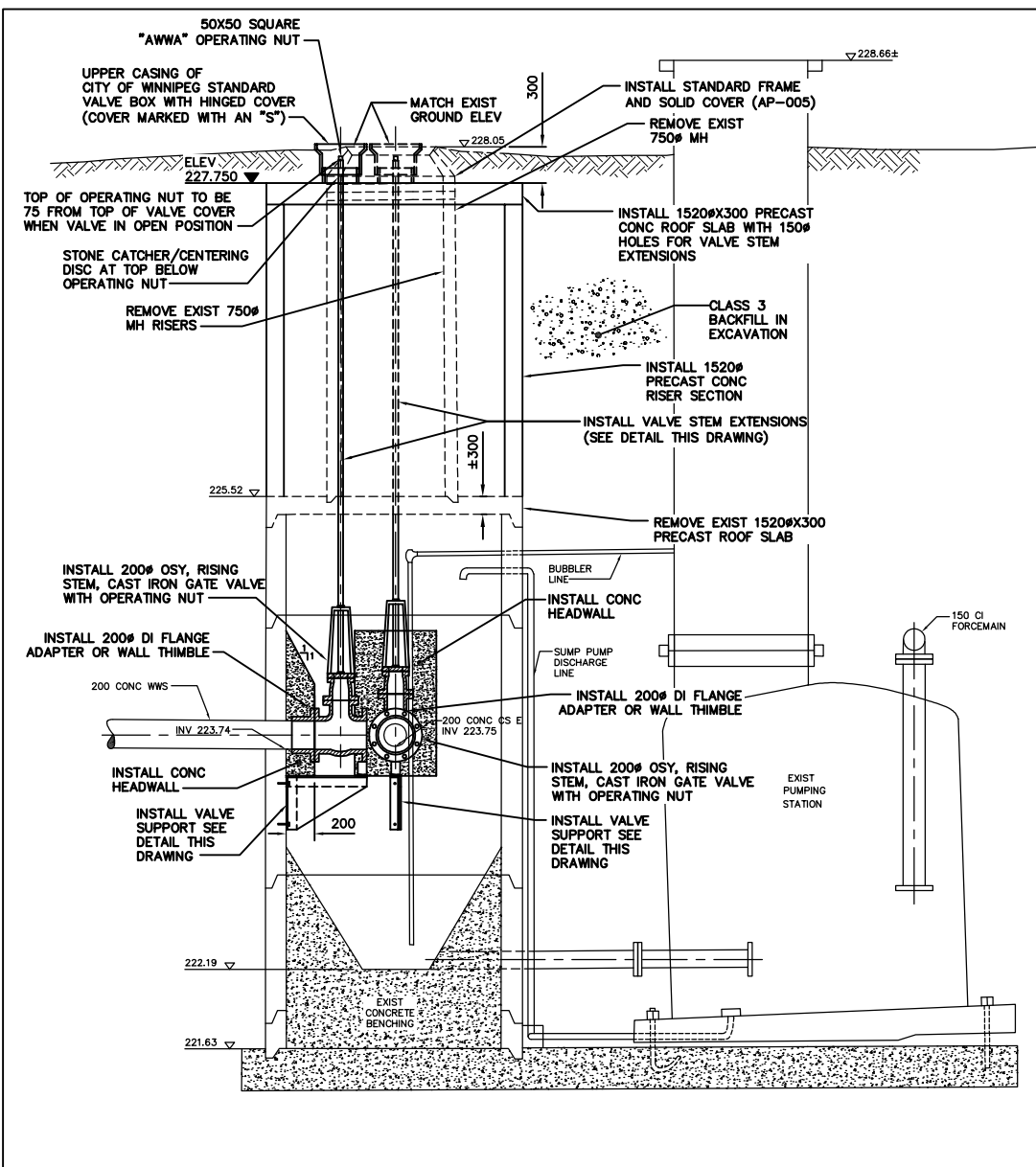
VALVE STEM EXTENSION DETAIL

SCALE N.T.S.



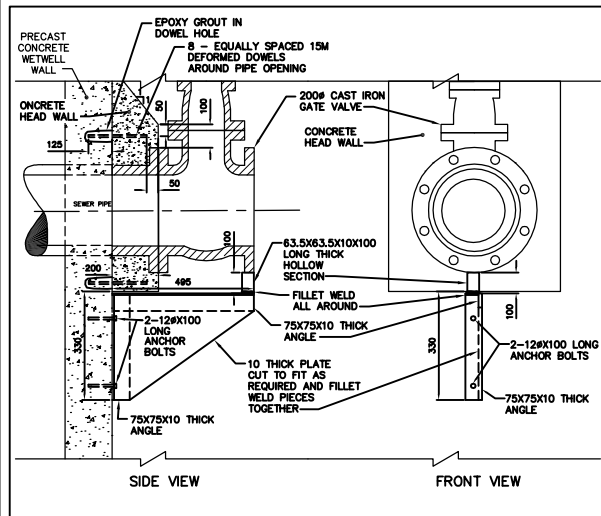
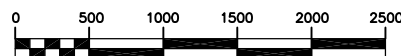
SITE PLAN

SCALE 1:500



SECTION A-A

SCALE 1:25



VALVE SUPPORT DETAIL

SCALE N.T.S.

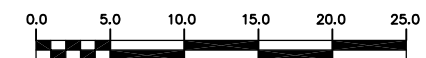
CONSTRUCTION NOTES:

1. ALLOWABLE SHUTDOWN TIME : 25 MINUTES. (APPROXIMATE)
2. ALL NUTS, BOLTS, ANCHORS, AND FASTENERS TO BE ASTM A276 TYPE 316 STAINLESS STEEL.
3. ALL STRUCTURAL STEEL TO BE ASTM A240 TYPE 304 STAINLESS STEEL.
4. EXCAVATION TO BE BACKFILLED WITH CLASS 3 OR 5 BACKFILL IN ACCORDANCE CW 2030 AND SD-002.
5. ALL DISTURBED GRASSED AREAS TO BE RESTORED BY SODDING USING IMPORTED TOPSOIL IN ACCORDANCE WITH CW 3510.
6. INSTALL RISER SECTIONS IN ACCORDANCE WITH CW 2130.
7. PROVIDE TEMPORARY PUMPING OF WASTEWATER FLOW DURING CONSTRUCTION.
8. DO NOT REMOVE EXISTING TREES. PROVIDE TREE PROTECTION IN ACCORDANCE WITH SPECIFICATIONS.

METRIC
WHOLE NUMBERS INDICATE MILLIMETRES
DECIMALIZED NUMBERS INDICATE METRES

WARNING

IF POWER EQUIPMENT OR EXPLOSIVES ARE TO BE USED FOR EXCAVATION ON THIS PROJECT THE CONTRACTOR MUST:
1) NOTIFY THE GAS COMPANY OF THE PROPOSED LOCATION OF EXCAVATION.
2) TAKE PRECAUTION TO AVOID DAMAGE TO GAS COMPANY INSTALLATIONS.
SEE PROVINCIAL REGULATION 210/72 FOR DETAILS



B.M. 35-024 ELEV. 230.714	CITY OF WINNIPEG WATER AND WASTE ENGINEERING DIVISION		ENGINEER'S SEAL ORIGINAL SIGNED BY K.R. ZUREK 04/12/06	THE CITY OF WINNIPEG WATER AND WASTE DEPARTMENT 	
	DESIGNED BY DB DRAWN BY WKT/CJH SCALE AS SHOWN NO. REVISIONS	CHECKED BY TW APPROVED BY KZ RELEASED FOR CONSTRUCTION DATE 2004.12.03	2004 WASTEWATER PUMPING STATIONS INLET CONTROL VALVE INSTALLATIONS KILDONAN PARK WASTEWATER PUMPING STATION	SHEET 3 OF 7 05525	