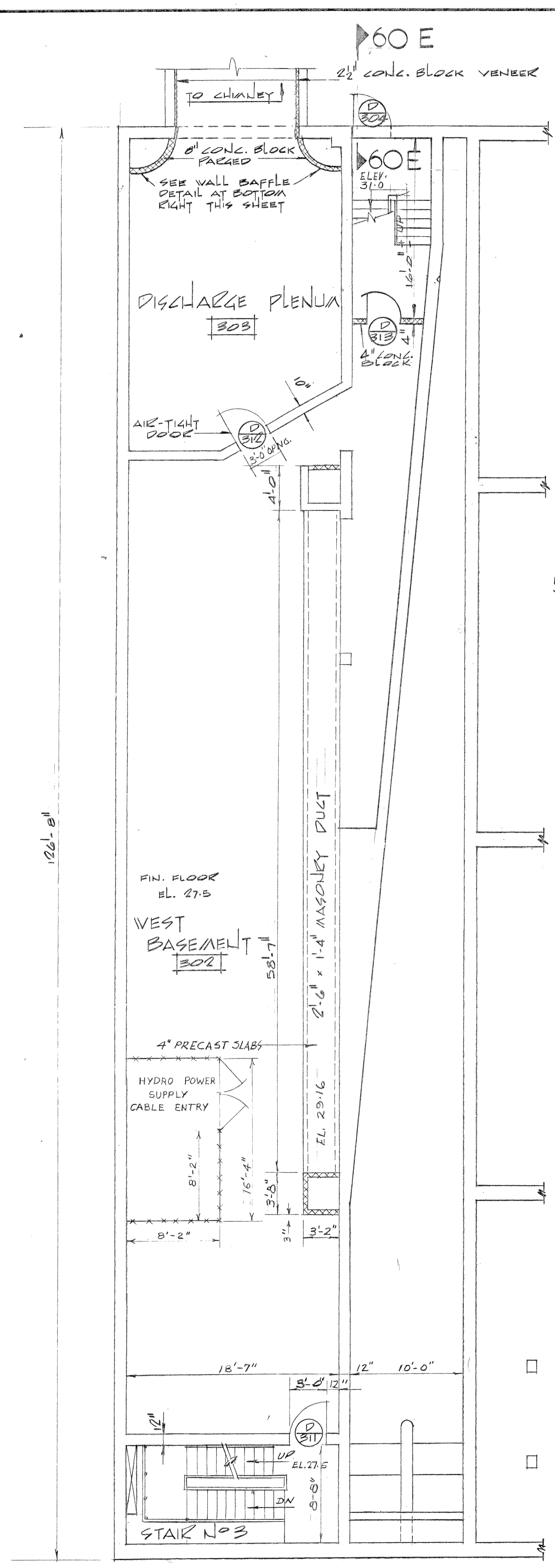
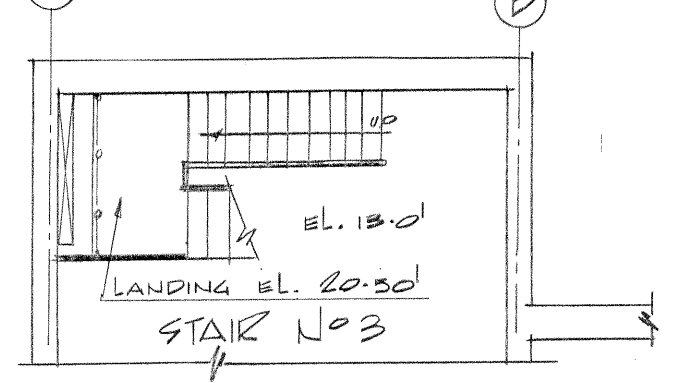


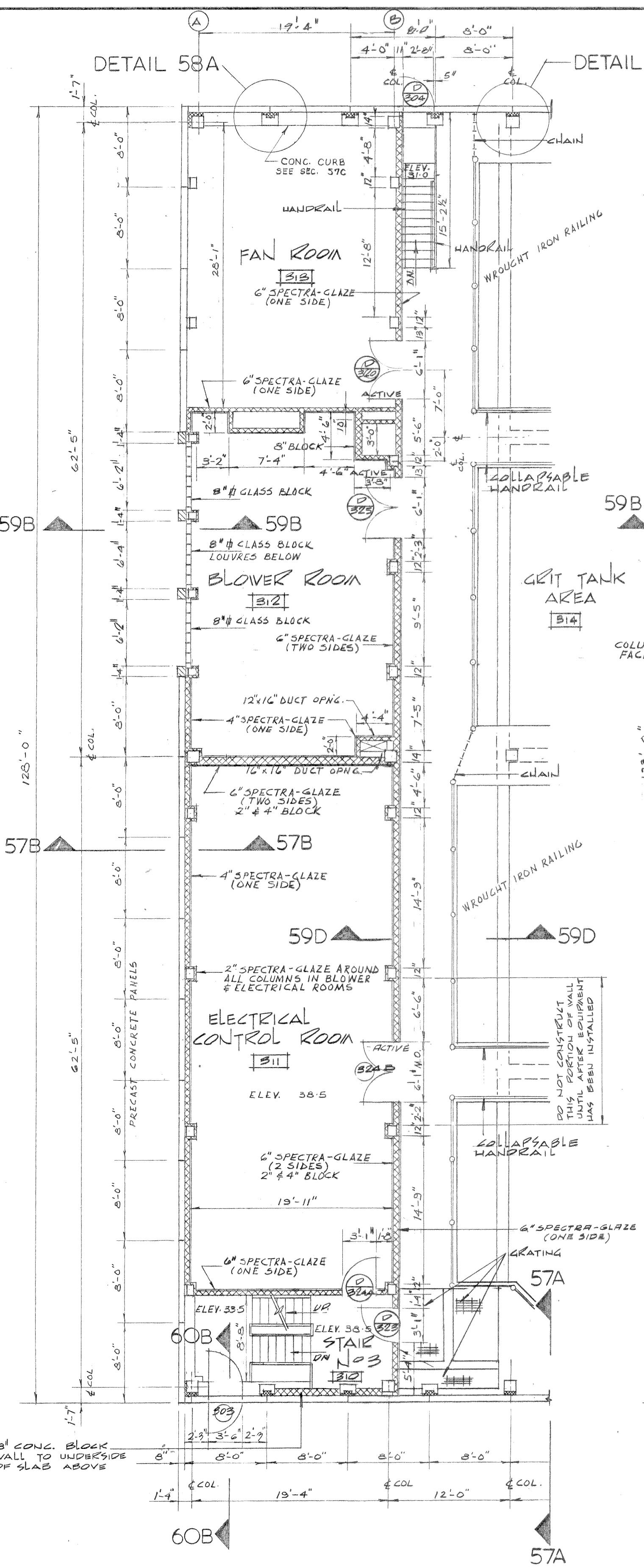
MICROFILMED



PLAN AT EL. 27.5  
SCALE: 1/8" = 1'-0"

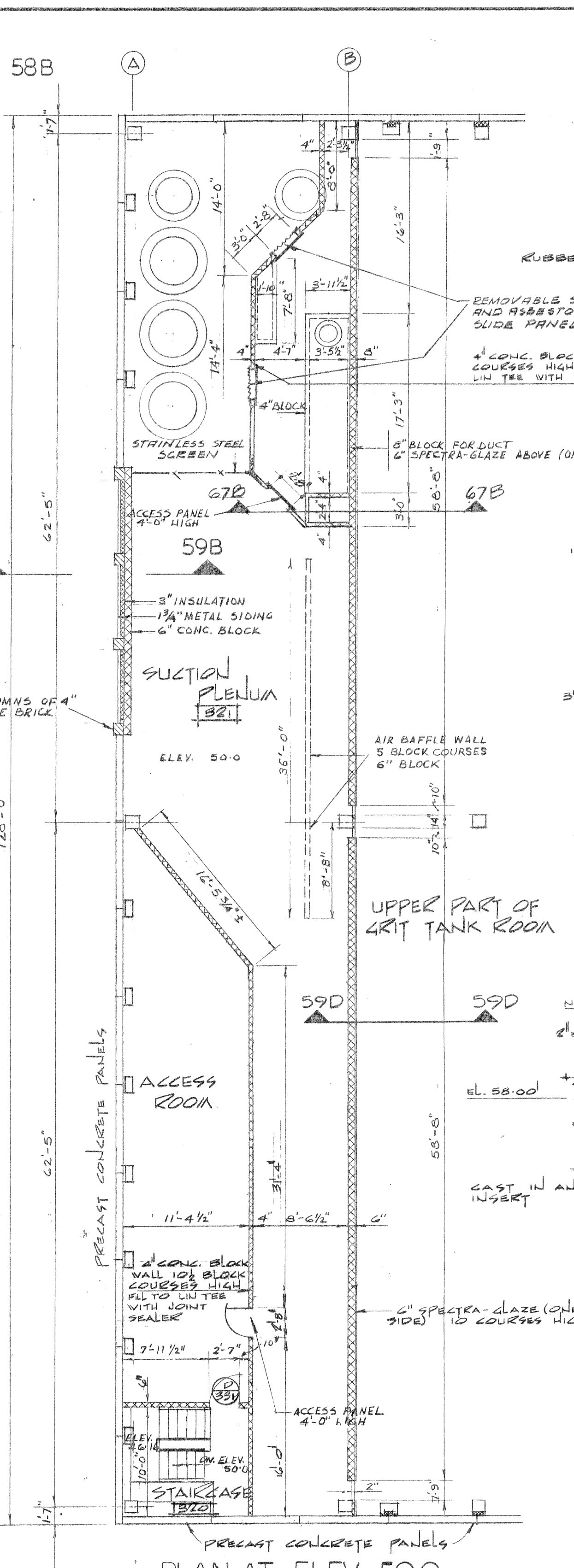


PLAN AT 13.0  
SCALE: 1/8" = 1'-0"

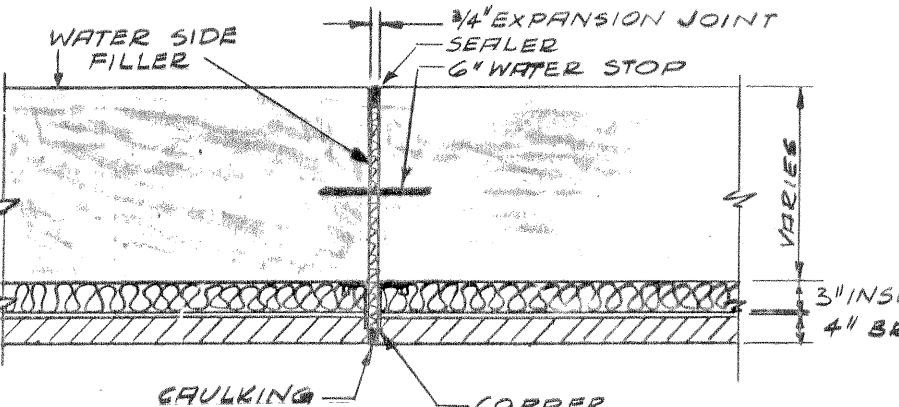


PLAN AT ELEV. 38.5  
SCALE 1/8" = 1'-0"

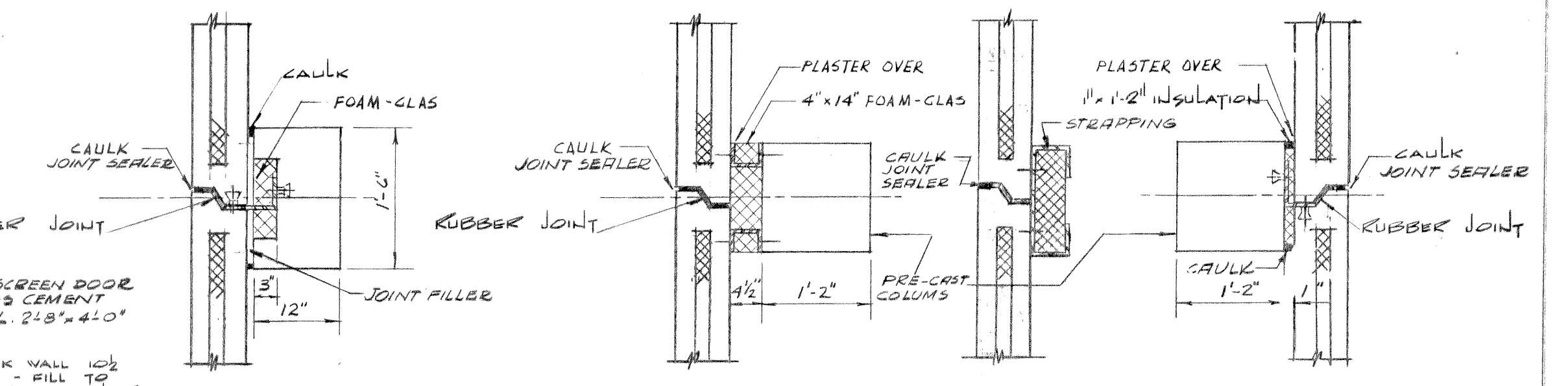
FOR ACTUAL ELEV. SUBTRACT 0.37 FT.



PLAN AT ELEV. 50.0  
SCALE 1/8" = 1'-0"



SECTION THROUGH EXPANSION JOINT (TANK WALL)  
SCALE 1/2" = 1'-0"

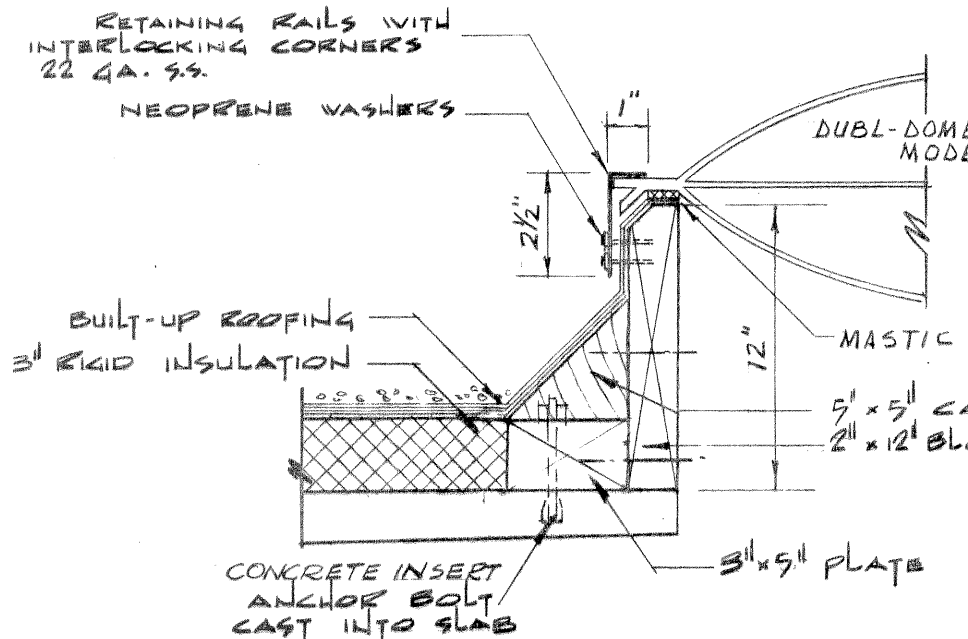


DETAIL 58A  
SCALE 3/4" = 1'-0"

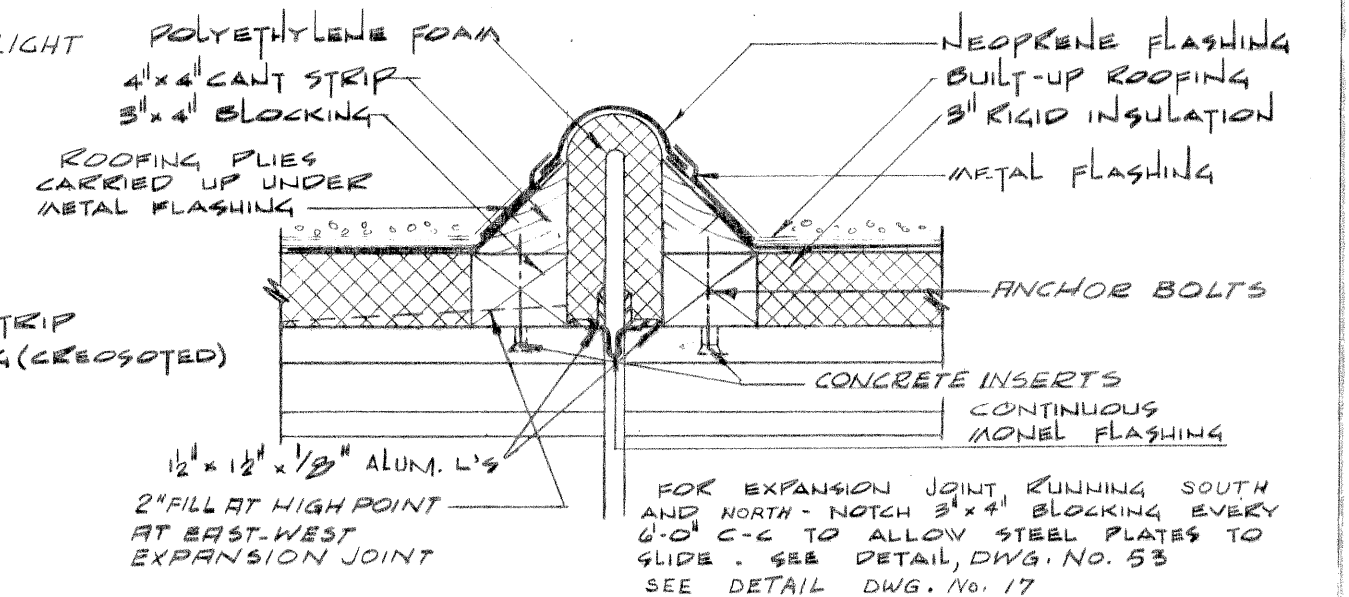
DETAIL 58B  
SCALE 3/4" = 1'-0"

DETAIL 58E  
SCALE 3/4" = 1'-0"

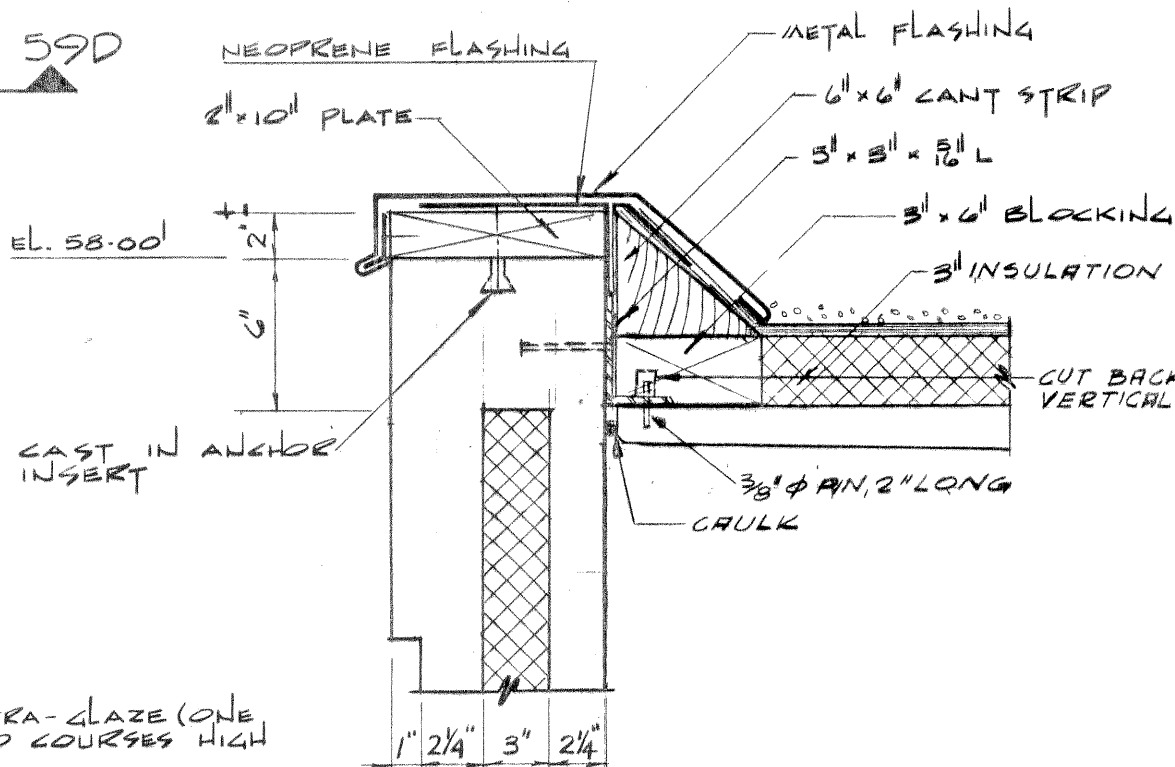
DETAIL 58C  
SCALE 3/4" = 1'-0"



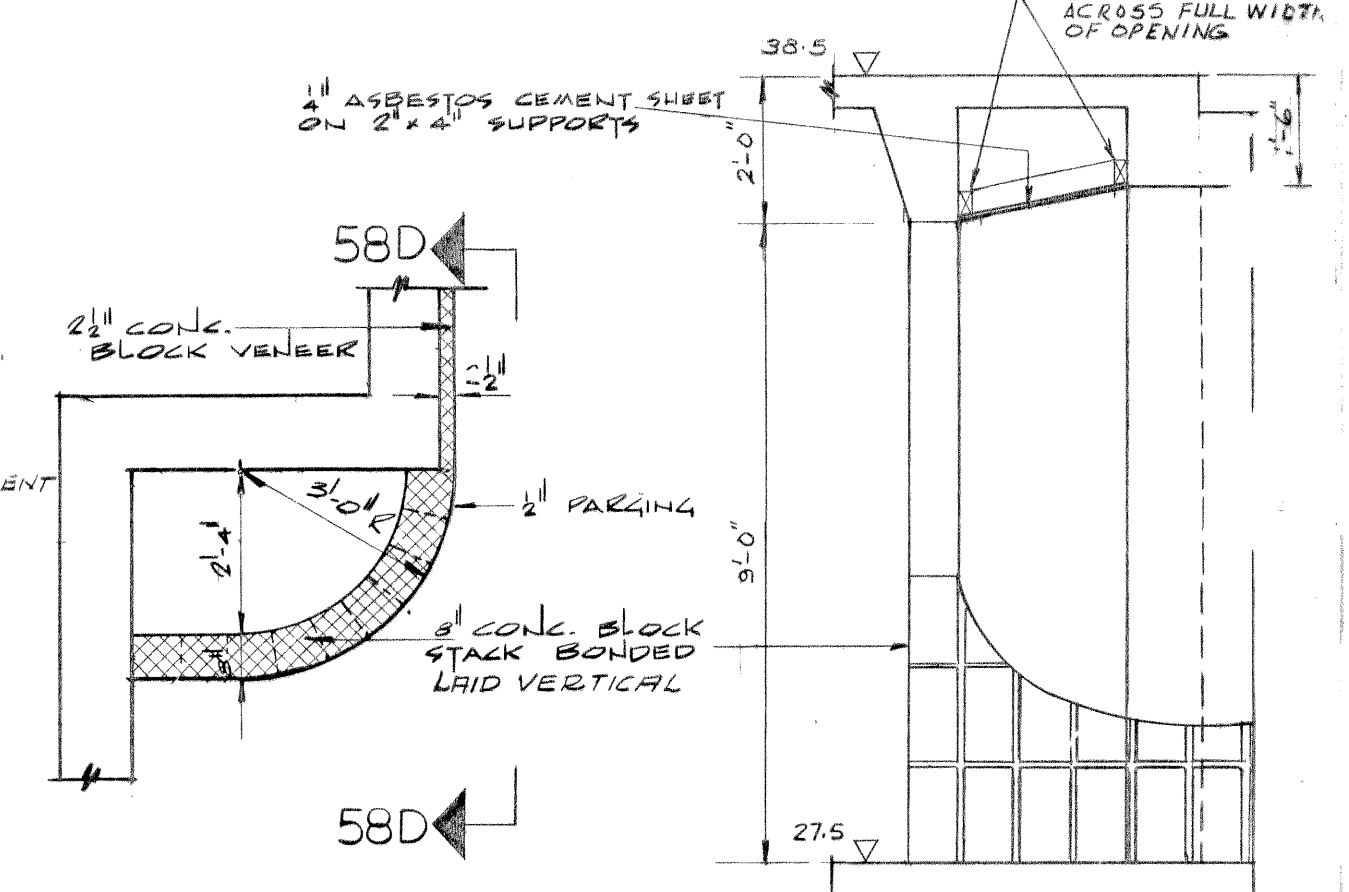
DETAIL OF SKY-DOME  
SCALE 1 1/2" = 1'-0"



DETAIL OF ROOF EXPANSION JOINT  
SCALE 1 1/2" = 1'-0"



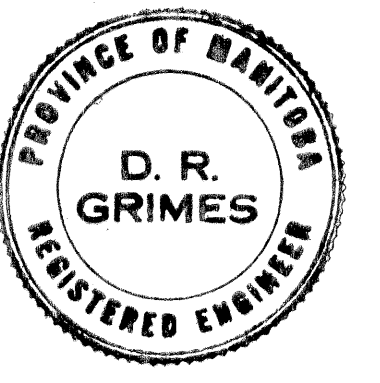
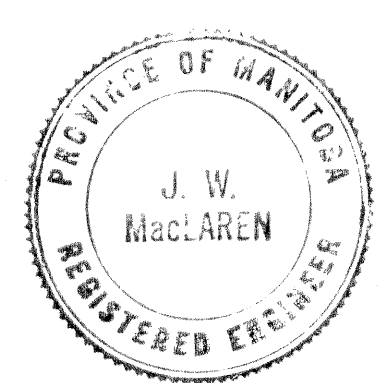
TYPICAL ROOFING DETAIL  
SCALE 1 1/2" = 1'-0"



PLAN OF WALL BAFFLES  
SCALE 3/8" = 1'-0"

SECTION 58D  
SCALE 3/8" = 1'-0"

REVISIONS		
No.	DATE	DETAIL



THE METROPOLITAN CORPORATION OF GREATER WINNIPEG  
WATERWORKS AND WASTE DISPOSAL DIVISION

**NORTH END SEWAGE TREATMENT PLANT**

**CONTRACT A - GRIT REMOVAL BUILDING**

**SUPERSTRUCTURE WEST END**

**FLOOR PLANS & DETAILS**

APPROVED: *J. W. MacLaren*  
JAMES T. MACLAREN LIMITED  
ENGINEERS TORONTO

ENGINEER OF DESIGN: *A. Penman*  
ENGINEER OF WASTE DISPOSAL: *A. Penman*  
DIRECTOR & CHIEF ENGINEER: *A. Penman*

W. L. WARDROP ASSOCIATES (MANAGEMENT) LIMITED  
ENGINEERING CONSULTANTS WINNIPEG

DATE: MARCH 11, 1963  
SCALE: AS SHOWN  
DWG. No. 58 OF 217  
**NEP-58**

**NEP-0058**