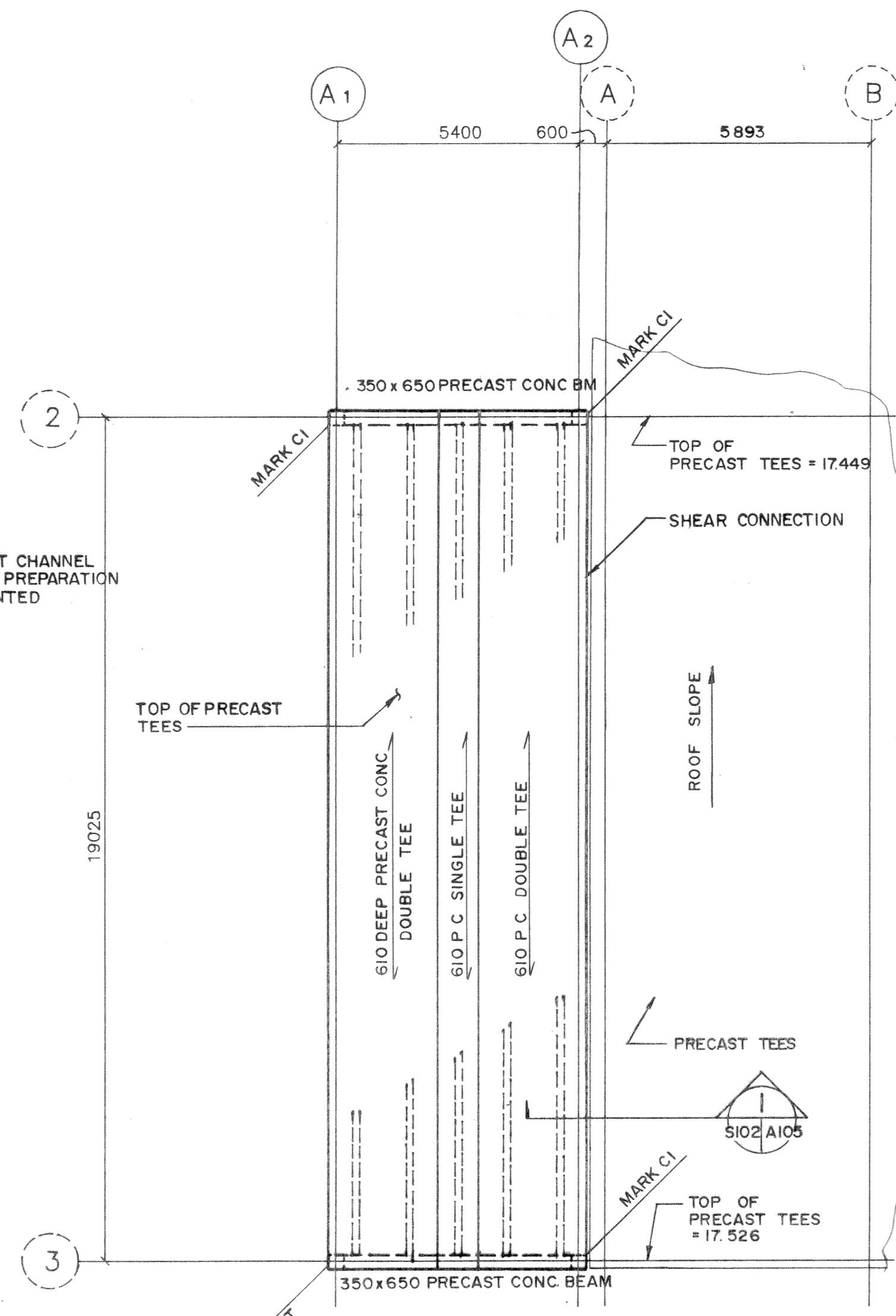
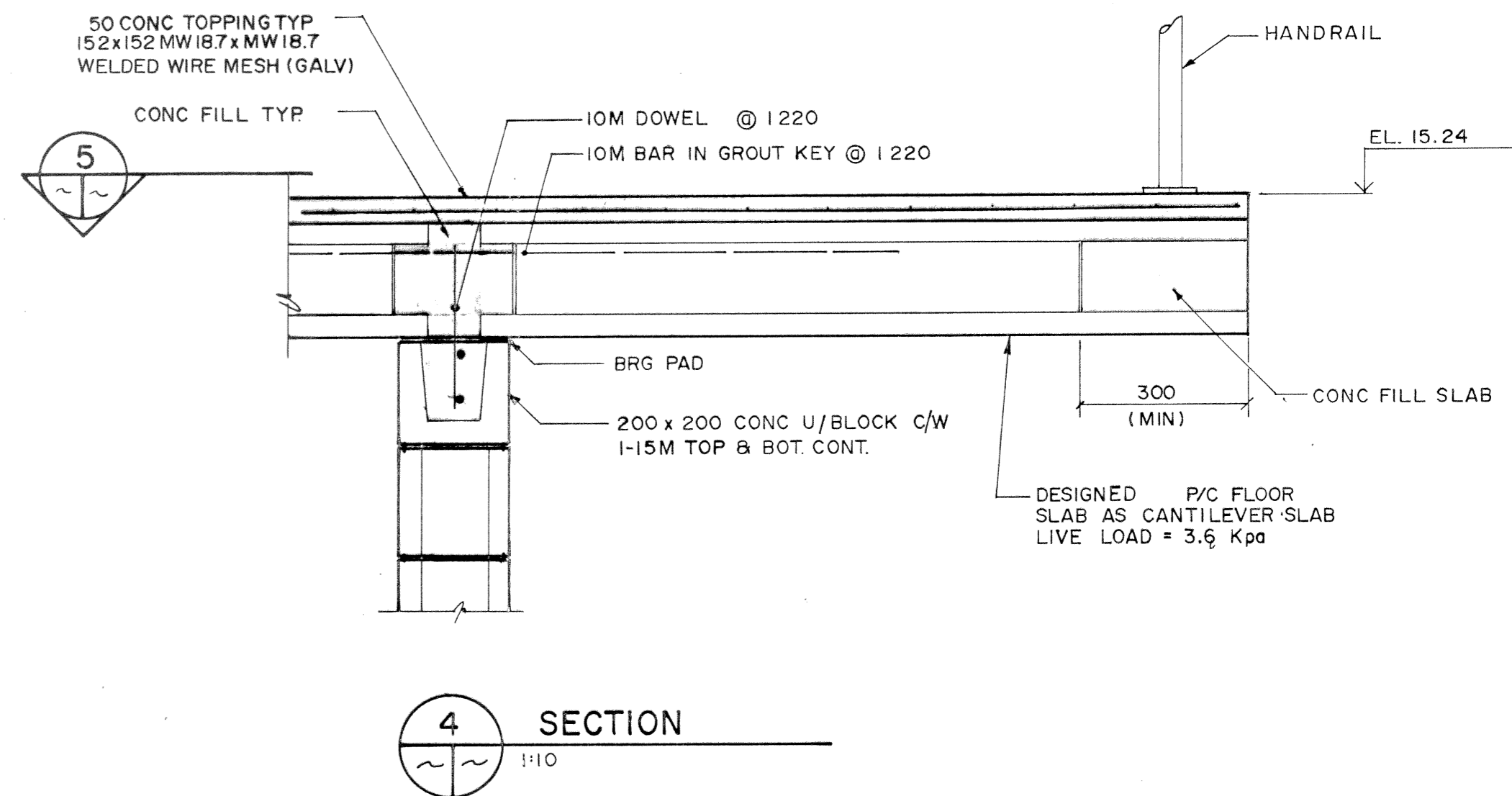


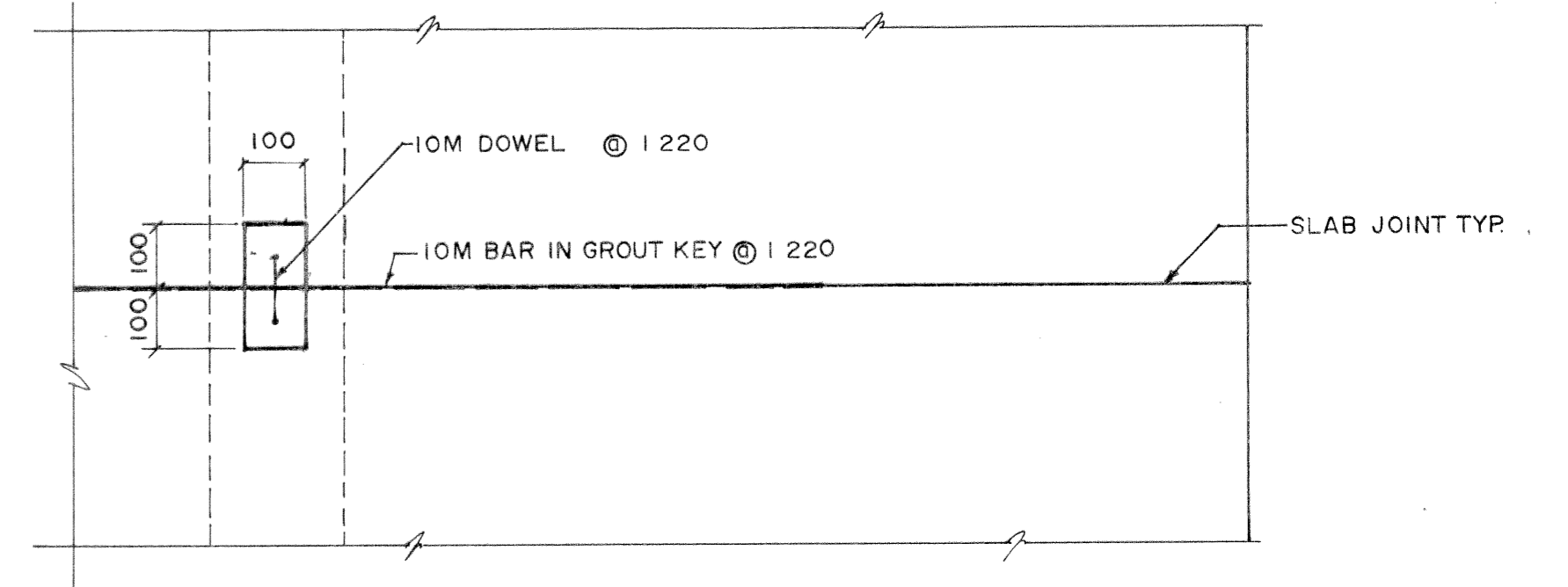
1 MAIN FLOOR PLAN
1:100 LIVE LOAD 4.8 kPa
FIN. FLR. EL. 11.735



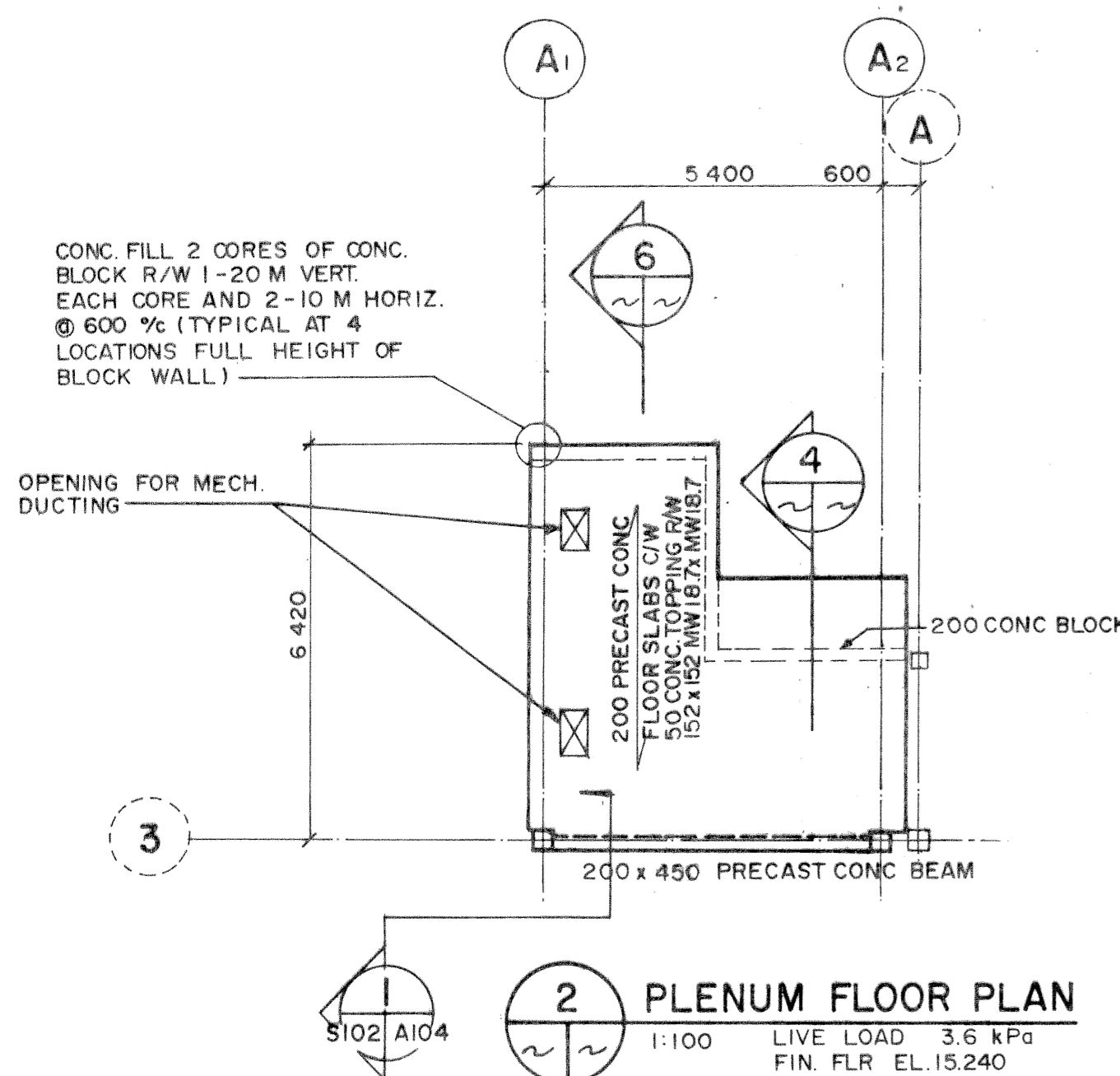
3 ROOF PLAN
1:100 SUPERIMPOSED DEAD LOAD 0.5 kPa
SNOW LOAD 1.7 kPa
LIVE LOAD 1.0 kPa



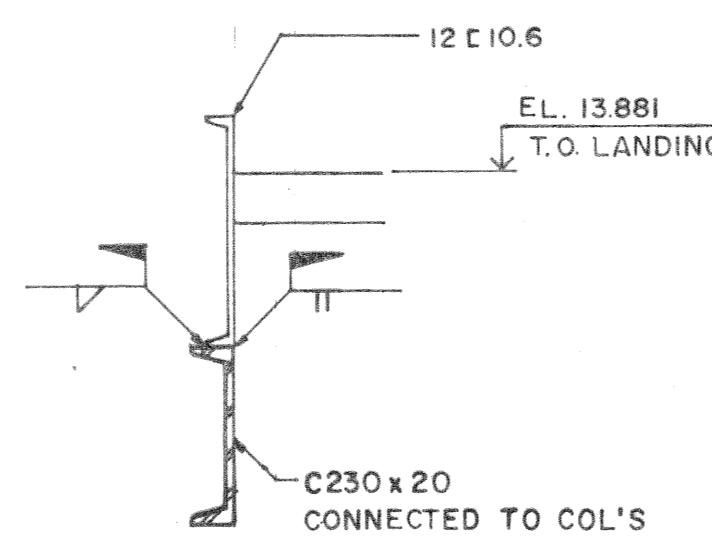
4 SECTION
1:10



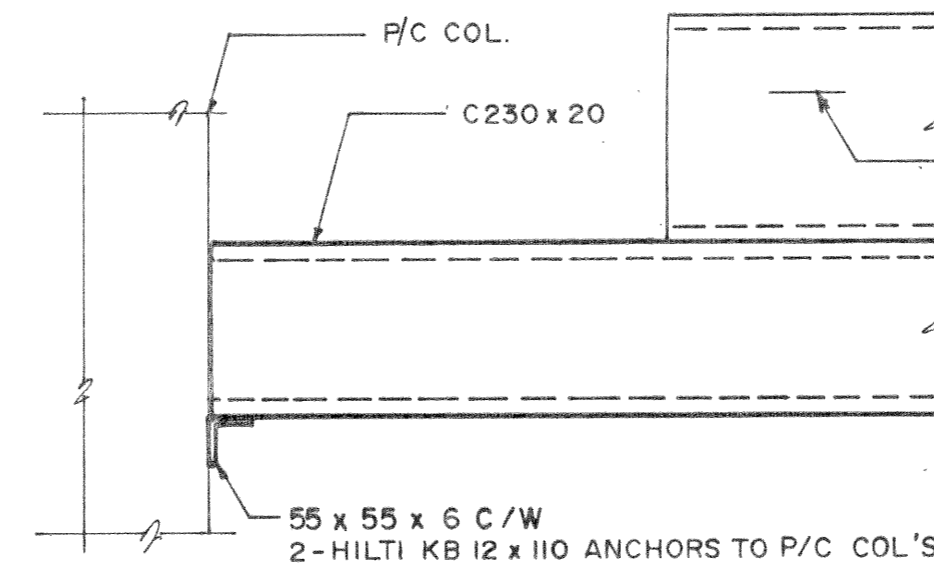
5 PLAN
1:10



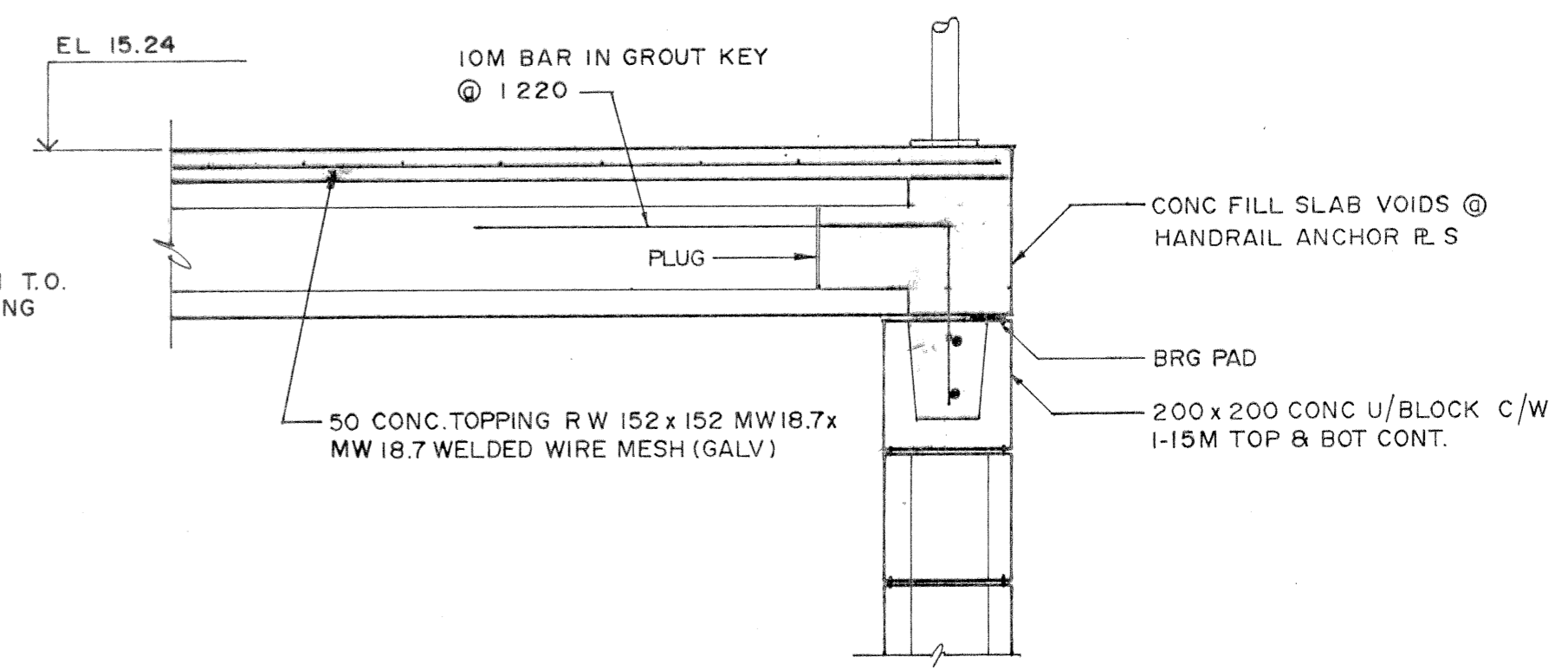
2 PLENUM FLOOR PLAN
1:100 LIVE LOAD 3.6 kPa
FIN. FLR. EL. 15.240



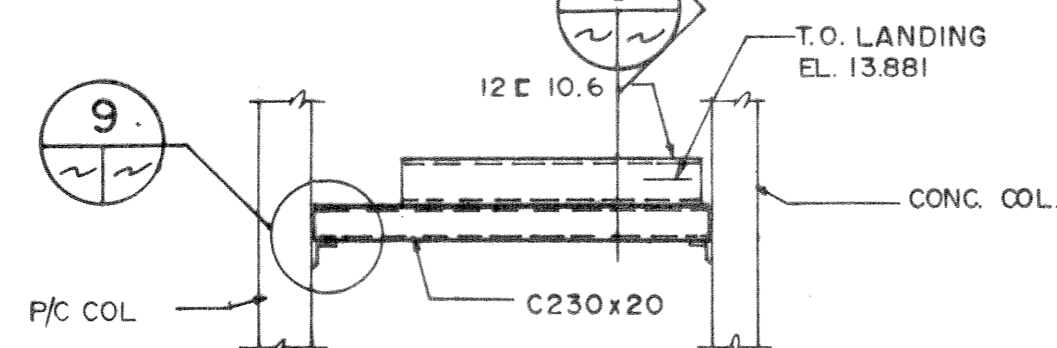
8 SECTION
1:10



9 DETAIL
1:10



6 SECTION
1:10



7 SECTION
1:50

AS-BUILT
DATE _____ BY _____
CHECKED BY _____

NO.	REVISIONS	DATE	BY	DATE
1	AS CONSTRUCTED	AUG 89		
0	ISSUED FOR TENDER	88 09 17	GRA	

Wardrop-MacLaren
ENGINEERING CONSULTANTS

DESIGNED BY JC
DRAWN BY BR & TO
CHECKED BY [Signature]
APPROVED BY [Signature]
HOR. SCALE 1:100
VERTICAL UNLESS NOTED
RELEASED FOR CONSTRUCTION
DATE SEPT. 12, 1988

ENGINEER'S SEAL
PROVINCE OF MANITOBA
J.C.S.
CHAN
REGISTERED PROFESSIONAL ENGINEER
CONSULTANT DRAWING NO.
870012 05 02 00 S102

THE CITY OF WINNIPEG
WORKS AND OPERATIONS DIVISION
WATERWORKS WASTE AND DISPOSAL DEPARTMENT

NORTH END WATER POLLUTION CONTROL CENTRE
PRE TREATMENT BUILDING STRUCTURAL

MAIN FL., PLENUM FL. & ROOF
FRAMING PLANS, SECTIONS & DETAILS

CITY DRAWING NUMBER
SHEET OF
NEP 1559

NEP-1559

NR11747