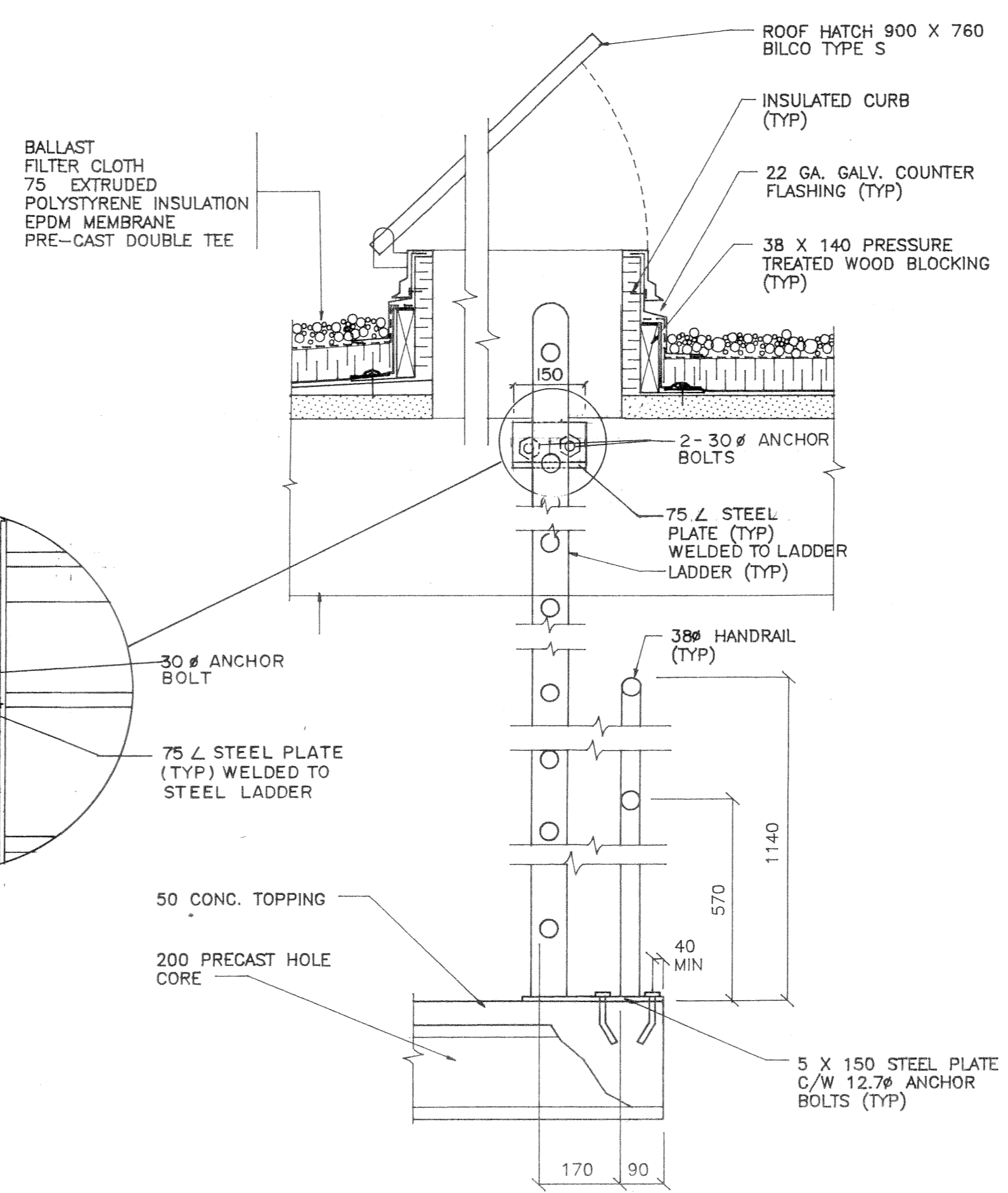
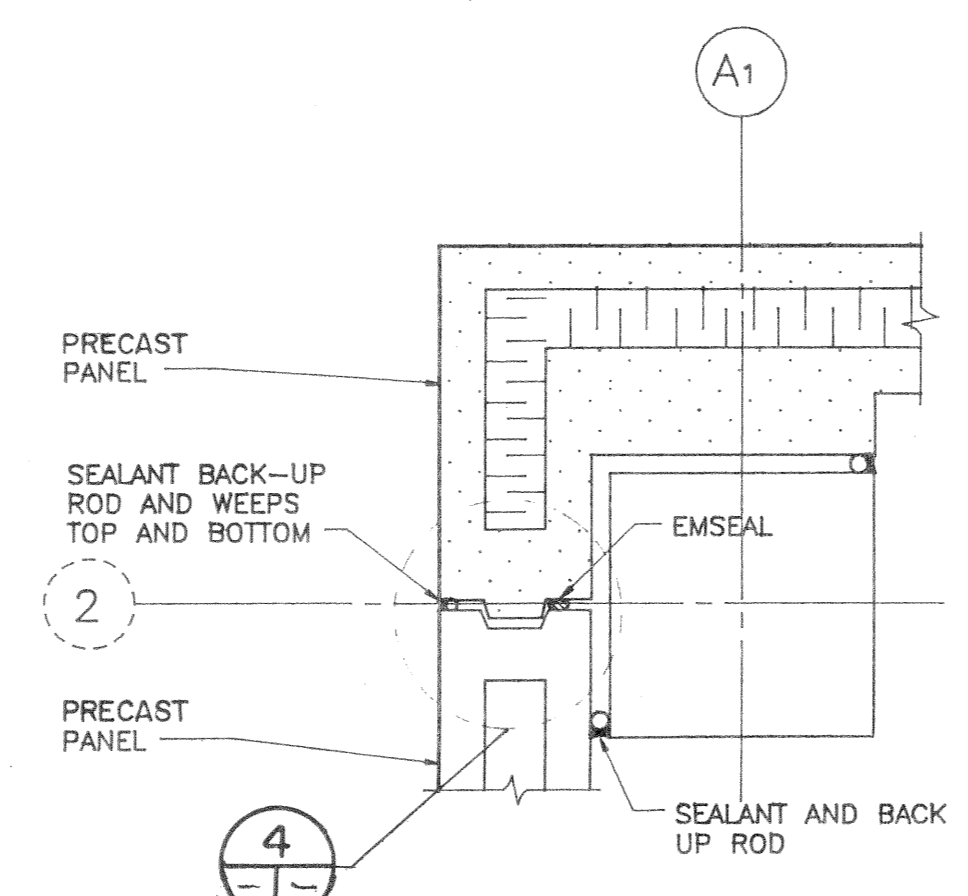


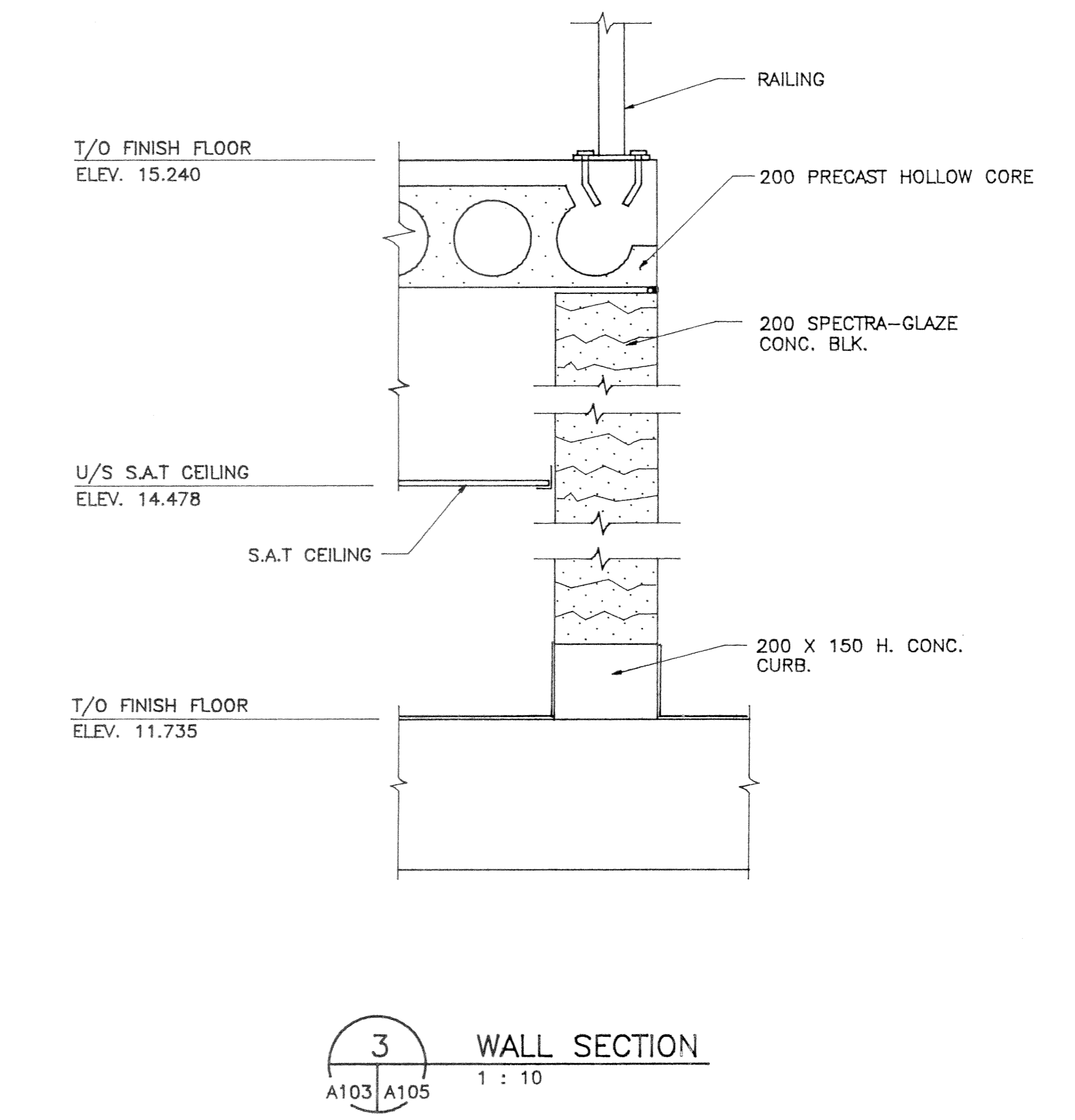
1 WALL SECTION
S102 | A103 | A105
1 : 10



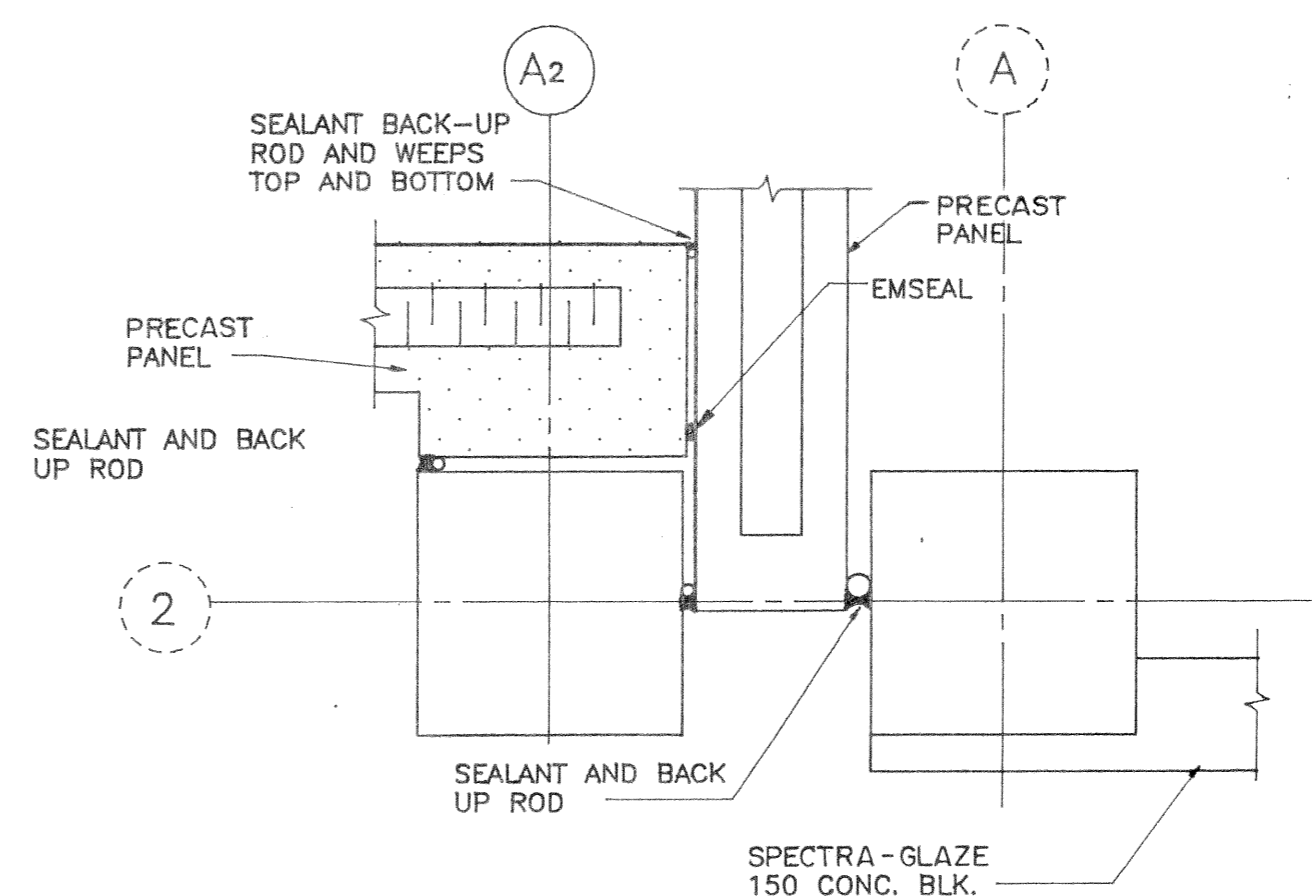
2 WALL SECTION
A103 | A105
1 : 10



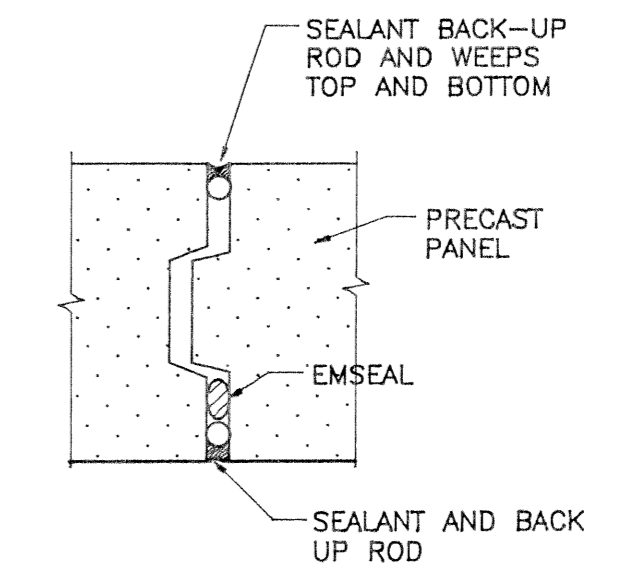
5 DETAIL
A101 | A105
1 : 10



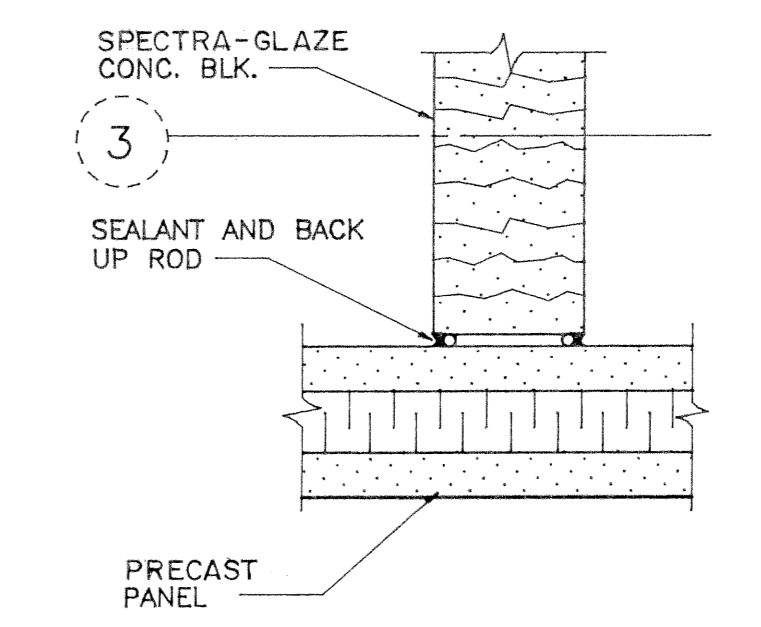
3 WALL SECTION
A103 | A105
1 : 10



6 DETAIL
A101 | A105
1 : 10



4 DETAIL
1 : 5



7 DETAIL
A101 | A105
1 : 10

AS-BUILT	
DATE _____ BY _____	
CHECKED BY _____	

Wardrop-MacLaren ENGINEERING CONSULTANTS		ENGINEER'S SEAL PROVINCE OF MANITOBA C. D. STEWART REGISTERED ENGINEER		THE CITY OF WINNIPEG WORKS AND OPERATIONS DIVISION WATERWORKS, WASTE AND DISPOSAL DEPARTMENT	
DESIGNED BY: DRM	CHECKED BY: [Signature]	NORTH END WATER POLLUTION CONTROL CENTRE PRE-TREATMENT BUILDING - ARCHITECTURAL		CITY DRAWING NUMBER: _____ SHEET: _____ OF _____	
DRAWN BY: GRA	APPROVED BY: [Signature]	WALL SECTIONS AND DETAILS		NEP 1556	
1 AS CONSTRUCTED AUG 89 0 ISSUED FOR TENDER 880917 GRA	HOR SCALE 1 : 100 VERTICAL UNLESS NOTED	RELEASED FOR CONSTRUCTION DATE SEP 19, 1988		CONSULTANT DRAWING NO. 870012-05-02-A105	

NEP-1556

NR11744