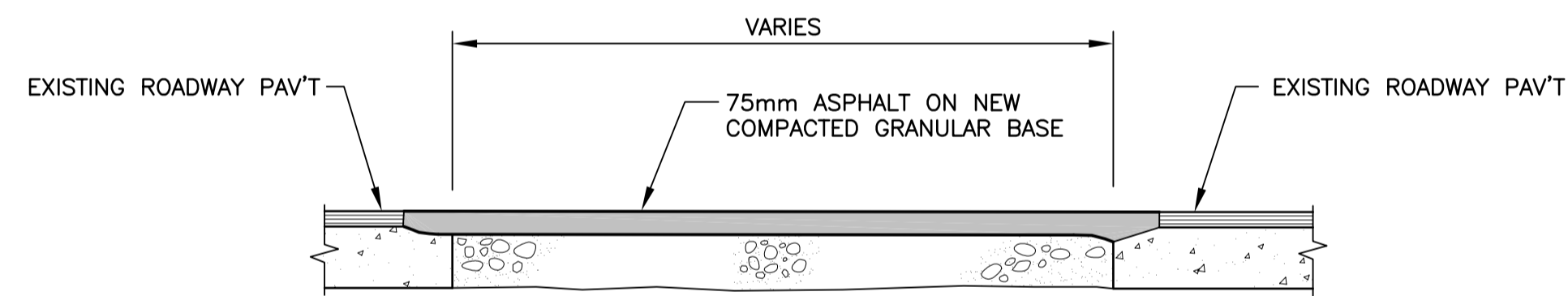
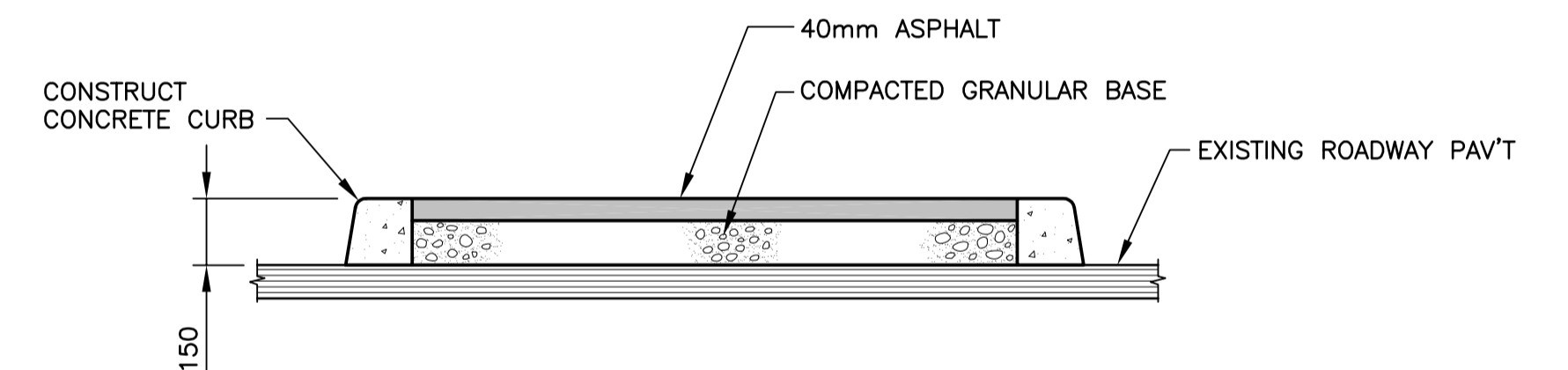


PLAN  
SCALE 1 : 200

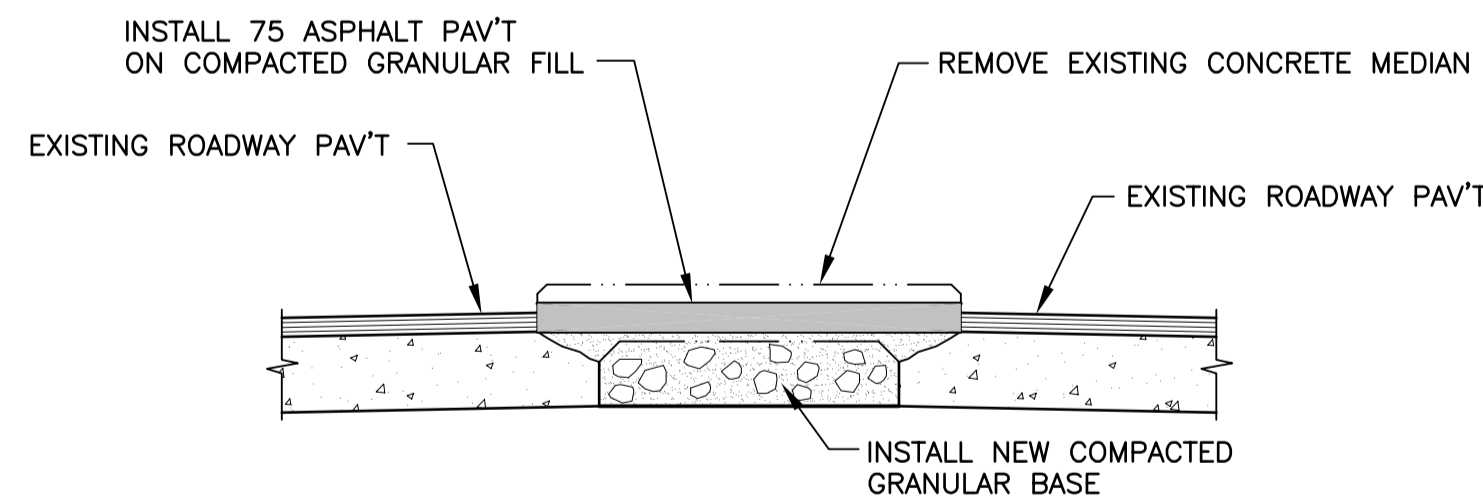
FROM POINT	TO POINT	TYPE	RADIUS (m)	Δ	LENGTH (m)
P1	P2	LINE			10.751
P2	P3	ARC	0.500	170d25'47"	1.487
P3	P4	LINE			10.751
P4	P5	ARC	1.400	189d34'13"	4.632



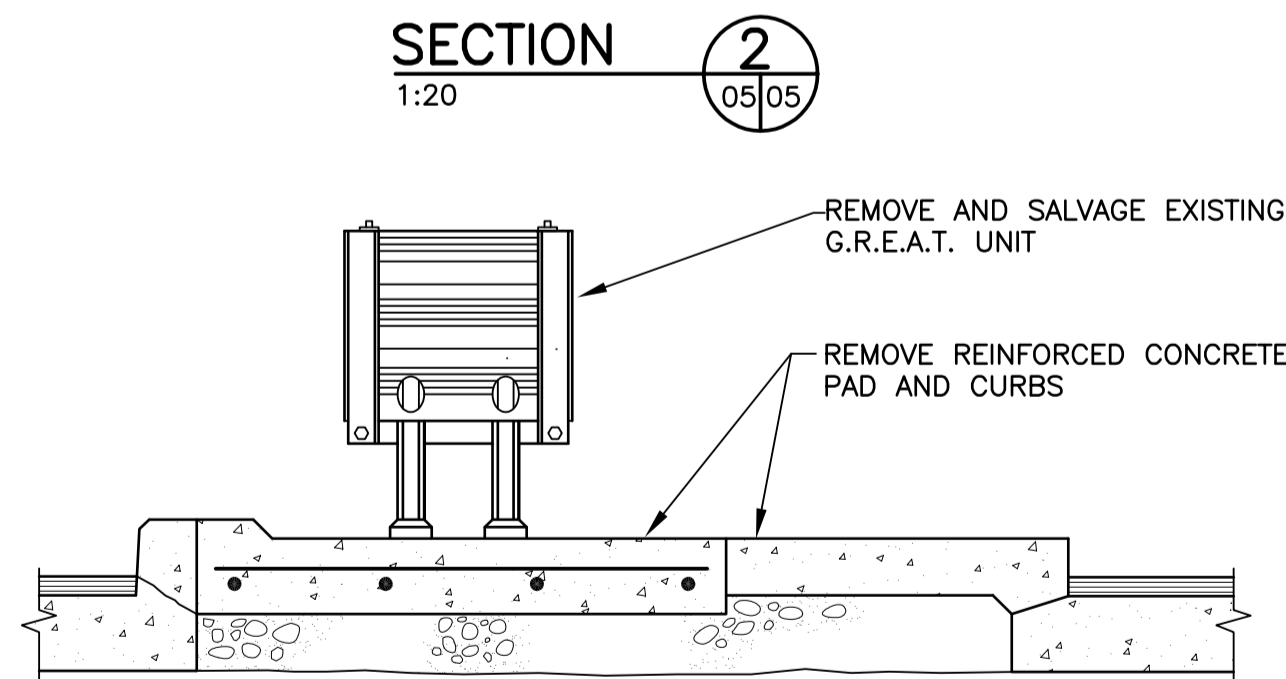
PROPOSED DETOUR PAVEMENT



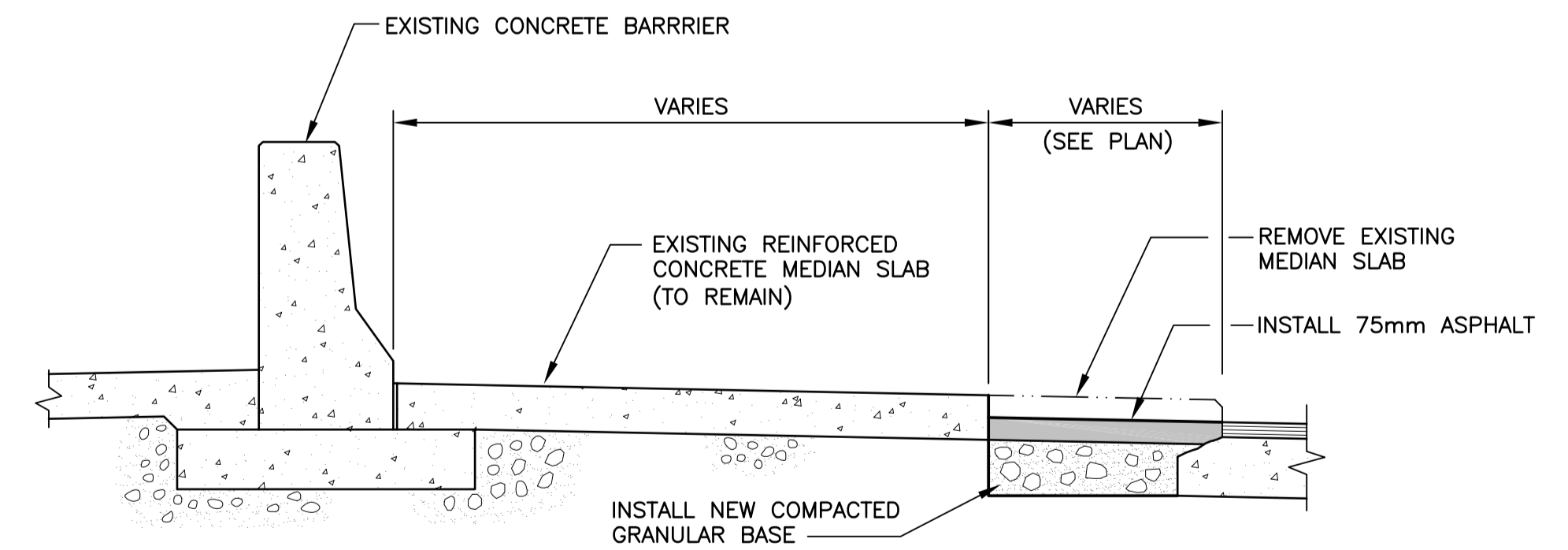
TRAFFIC ISLAND DETAIL  
SCALE 1 : 15



SECTION 1  
1:20



EXISTING  
SECTION 2  
1:20



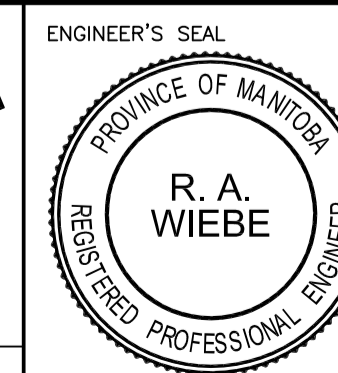
SECTION 3  
1:20

METRIC  
WHOLE NUMBERS INDICATE MILLIMETRES  
DECIMALIZED NUMBERS INDICATE METRES

150 mm W.M.	150 mm W.M.	150 mm W.M.	HYDRO	150 mm W.M.	WATERMAIN	150 mm W.M.
HYDRANT	VALVE	LAND DRAINAGE SEWER	M.T.S.	CONCRETE	HYDRANT	VALVE
WASTE WATER SEWER	MANHOLE	CATCH BASIN	ASPHALT	ASPHALT	LAND DRAINAGE SEWER	LAND DRAINAGE SEWER
CURB INLET	JUNCTIONS	CULVERT	PLANING/REMOVAL	PLANING/REMOVAL	WASTE WATER SEWER	WASTE WATER SEWER
GAS	PROPERTY LINE		SIDEWALK	SIDEWALK	Q. PROFILE	Q. PROFILE
	SURVEY BAR		PAVING STONES	PAVING STONES	NORTH/WEST GUTTER	NORTH/WEST GUTTER
	PARAPLEGIC RAMP		PARTIAL DEPTH REPAIR	PARTIAL DEPTH REPAIR	SOUTH/EAST GUTTER	SOUTH/EAST GUTTER
EXISTING	LEGEND-PLAN	PROPOSED	PROPERTY LINE	PROPERTY LINE		
			SURVEY BAR	SURVEY BAR		
			PARAPLEGIC RAMP	PARAPLEGIC RAMP		
			LEGEND-PLAN	LEGEND-PROFILE		
			PROPOSED	PROPOSED		

UNDERGROUND STRUCTURES	B.M. ELEV.
SUPV. U/G STRUCTURES COMMITTEE	DATE
NOTE:	
LOCATION OF UNDERGROUND STRUCTURES AS SHOWN ARE BASED ON THE BEST INFORMATION AVAILABLE. BUT NO GUARANTEE IS GIVEN THAT ALL EXISTING UTILITIES ARE SHOWN OR THAT THE GIVEN LOCATIONS ARE EXACT. CONFIRMATION OF EXISTENCE AND EXACT LOCATION OF ALL SERVICES MUST BE OBTAINED FROM THE INDIVIDUAL UTILITIES BEFORE PROCEEDING WITH CONSTRUCTION.	
2 ISSUED FOR TENDER	01/31/05 NGB
1 ISSUED FOR CITY REVIEW	12/17/04 RAW
NO. REVISIONS	DATE BY

DESIGNED BY	RAW
DRAWN BY	SKB
CHECKED BY	RAW
APPROVED BY	
HOR. SCALE	AS NOTED
VERTICAL	
DATE	DEC. 2004
DATE	



THE CITY OF WINNIPEG  
PUBLIC WORKS DEPARTMENT

Winnipeg

MARYLAND TWIN BRIDGES  
REHABILITATION PROJECT  
WEST BRIDGE REHABILITATION

DETOUR WORKS  
WELLINGTON CRESCENT AT ACADEMY ROAD  
MEDIAN REMOVAL AND  
DETOUR LANE CONSTRUCTION

CITY DRAWING NUMBER  
B108-05-05  
SHEET 05 OF 33

CONSULTANT PROJECT NO.  
04-3021-2000