

CAUTION:
 FOLLOWING REMOVAL OF TOP LAYER OF DECK REINFORCEMENT CONTRACTOR SHALL ONLY ALLOW LIGHT CONSTRUCTION TRAFFIC ON BRIDGE DECK. MAXIMUM GVW = 2000 kg. TRAFFIC WHEEL LINES SHALL BE RESTRICTED FOR TRAVEL ON GIRDER CENTERLINES ONLY. NO MORE THAN TWO VEHICLES SIDE-BY-SIDE PERMITTED ON BRIDGE DECK AT ANY GIVEN TIME.

CAUTION:
 DO NOT DAMAGE EXIST. POST-TENSIONING STRAND IN DUCTS ON EACH GIRDER TYPICAL OVER PIERS @ 4 LOCATIONS

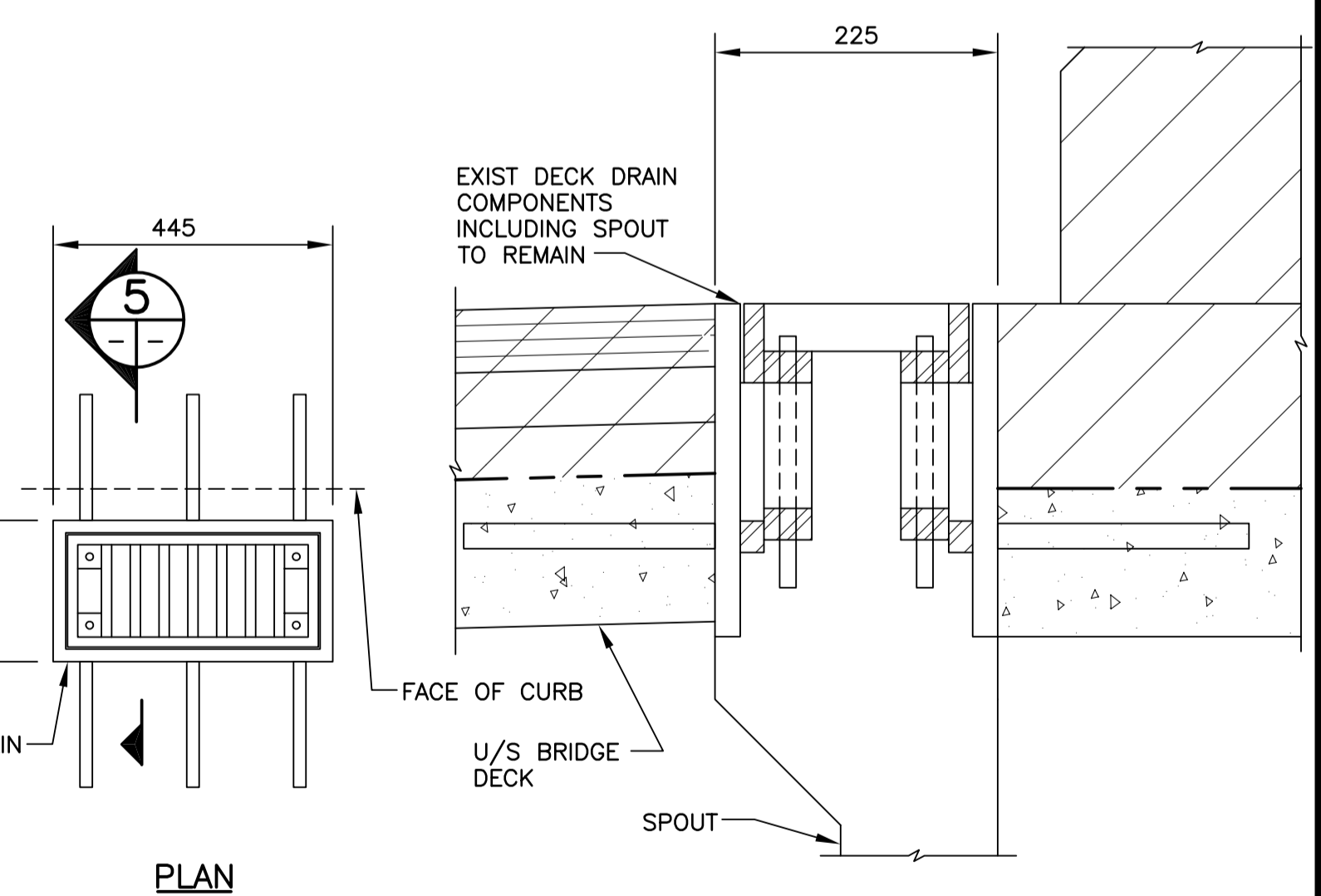
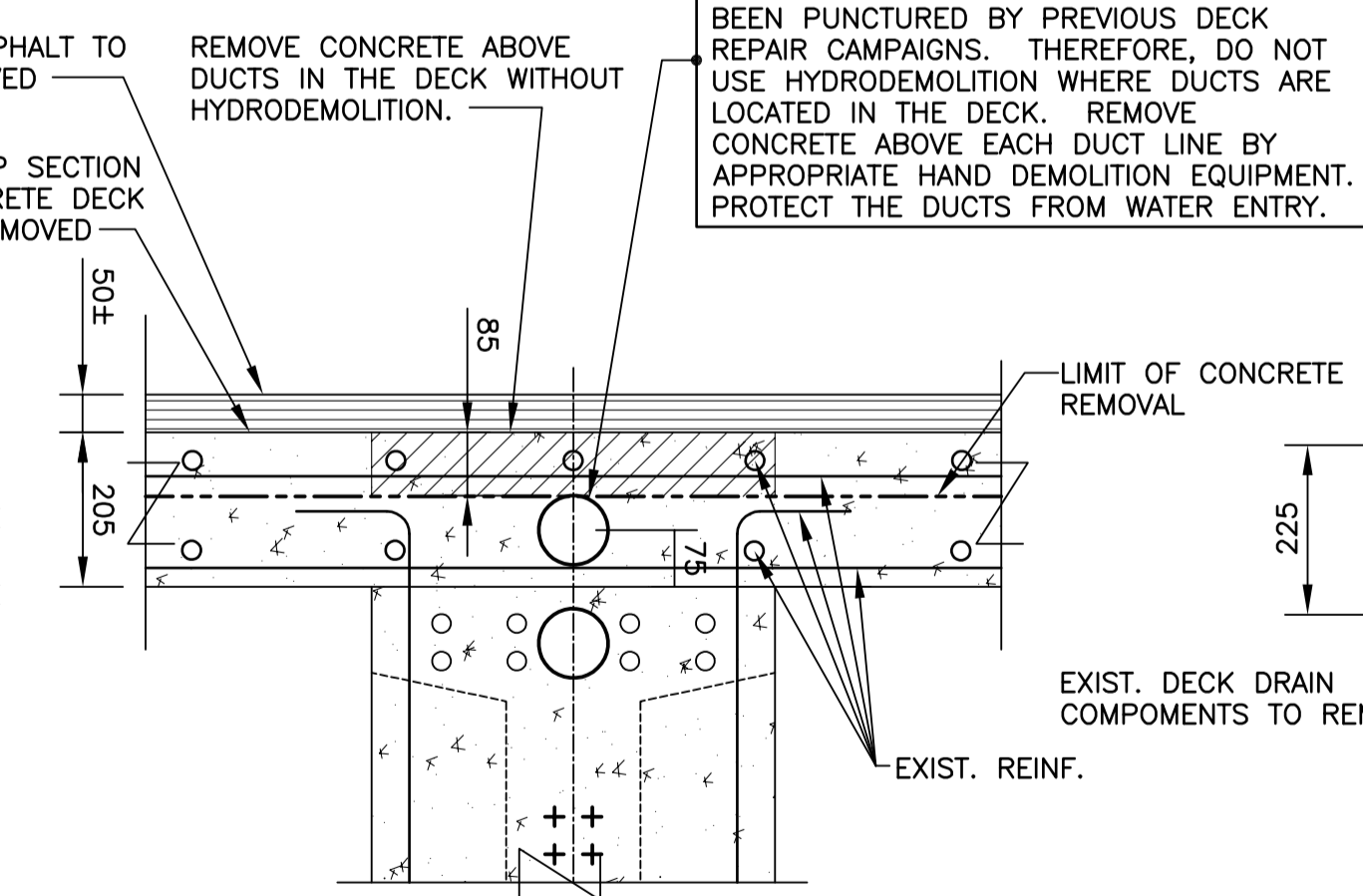
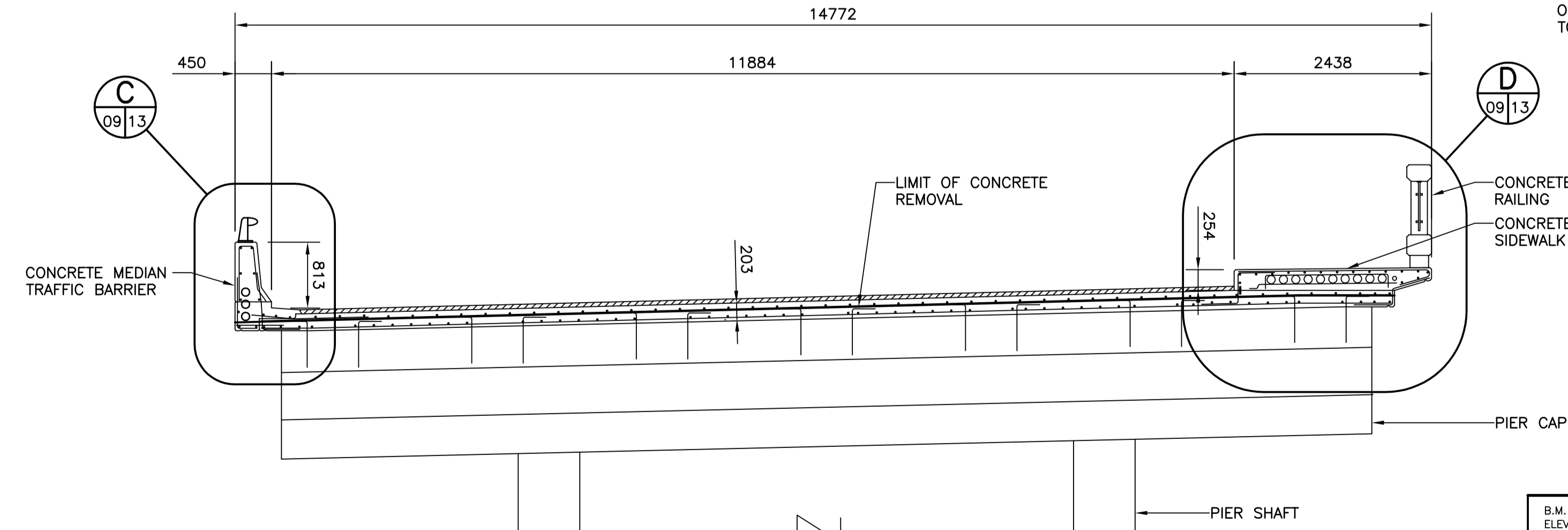
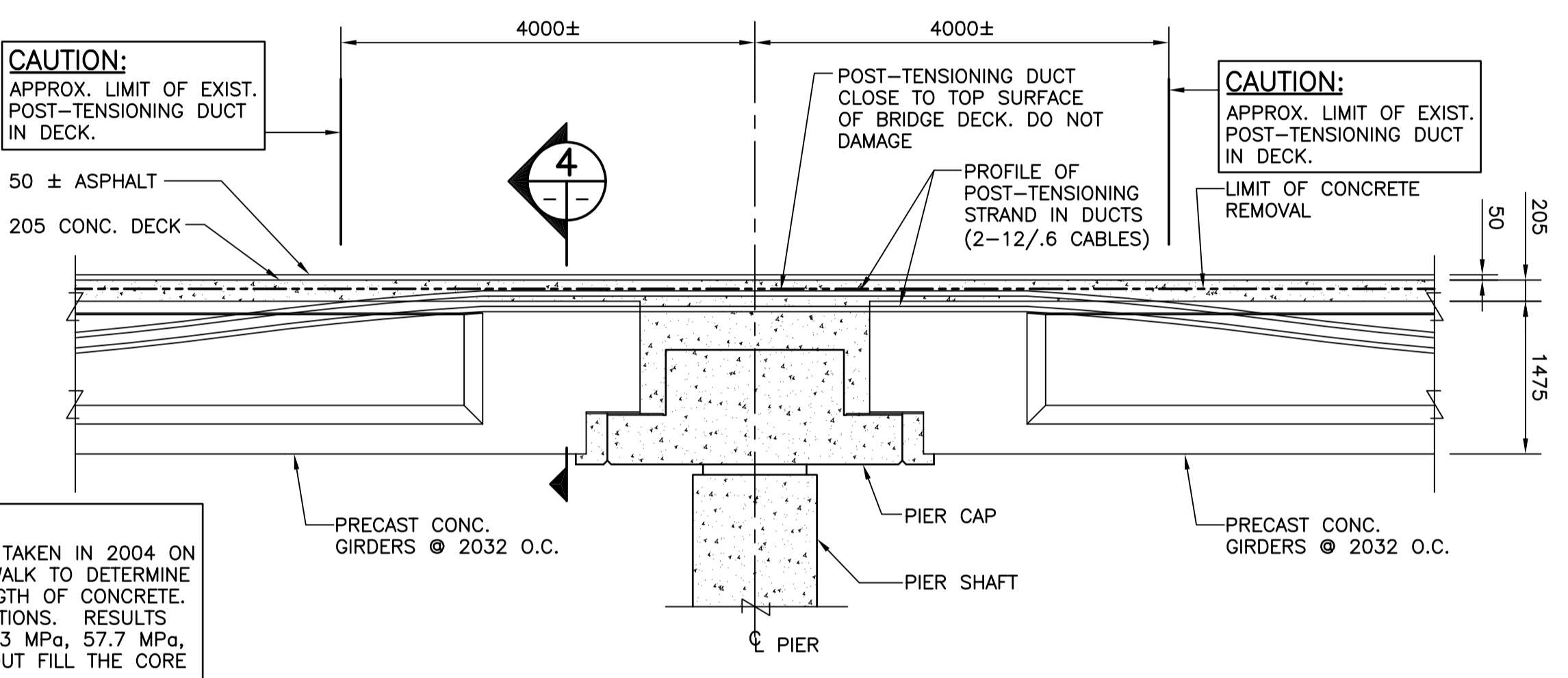
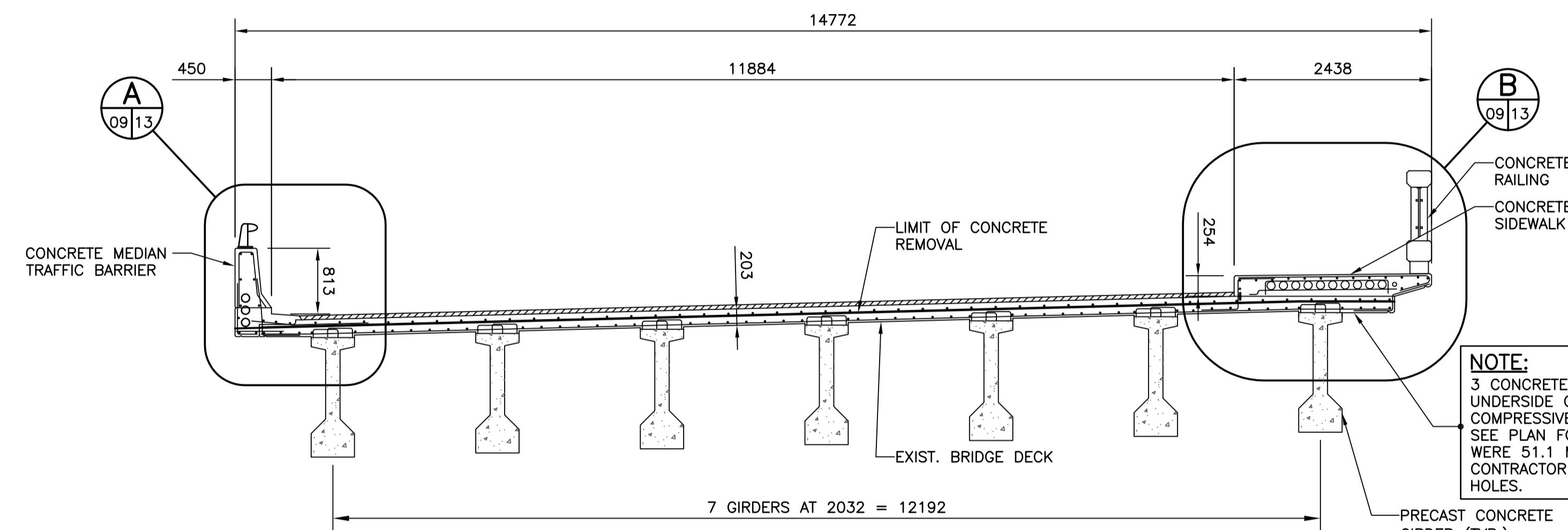
CAUTION:
 APPROX. LIMIT OF EXIST. POST-TENSIONING DUCT IN DECK.

CAUTION:
 APPROX. LIMIT OF EXIST. POST-TENSIONING DUCT IN DECK.

CAUTION:
 APPROX. LIMIT OF EXIST. POST-TENSIONING DUCT IN DECK.

NOTE:
 3 CONCRETE CORES TAKEN IN 2004 ON UNDERSIDE OF SIDEWALK TO DETERMINE COMPRESSIVE STRENGTH OF CONCRETE. SEE PLAN FOR LOCATIONS. RESULTS WERE 51.1 MPa, 55.3 MPa, 57.7 MPa, CONTRACTOR TO GROUT FILL THE CORE HOLES.

CAUTION:
 POST-TENSIONING STRAND IN DUCT DO NOT DAMAGE. SOME DUCT IN THE DECK HAS BEEN PUNCTURED BY PREVIOUS DECK REPAIR CAMPAIGNS. THEREFORE, DO NOT USE HYDRODEMOLITION WHERE DUCTS ARE LOCATED IN THE DECK. REMOVE CONCRETE ABOVE EACH DUCT LINE BY APPROPRIATE HAND DEMOLITION EQUIPMENT. PROTECT THE DUCTS FROM WATER ENTRY.



B.M. ELEV.	DESIGNED BY A.S.D.				MARYLAND TWIN BRIDGES REHABILITATION PROJECT WEST BRIDGE REHABILITATION	CITY DRAWING NUMBER B108-05-09
	DRAWN BY N.B.G. / KC					SHEET 09 OF 33
	CHECKED BY R.A.W.					
	APPROVED BY					
3 CAUTION NOTE REVISED 02/22/05 ASD	HOR. SCALE AS NOTED	RELEASED FOR CONSTRUCTION	CONSULTANT PROJECT NO. 04-3021-2000	EXISTING BRIDGE DECK		
2 ISSUED FOR TENDER 01/31/05 NBG	VERTICAL	DATE DEC. 2004				
1 ISSUED FOR CITY REVIEW 12/17/04 RAW						
NO. REVISIONS	DATE	BY				