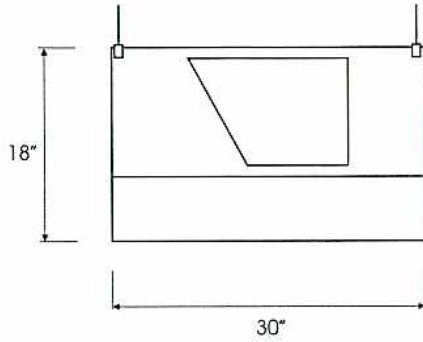


**"W" Type 1**

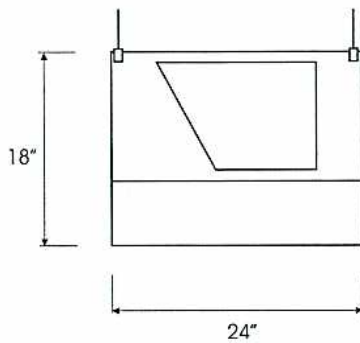
Full Size



thickness  $b = 3/16"$

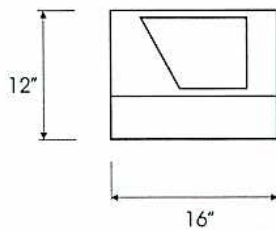
**"W" Type 2**

Full Size



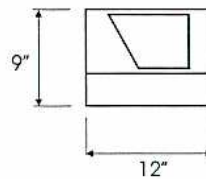
thickness  $b = 3/16"$

2/3 Size



all wall signs  
"W" logo flat screen-printed  
thickness  $b = 3/16"$

1/2 Size



all wall signs  
"W" logo flat screen-printed  
thickness  $b = 3/16"$