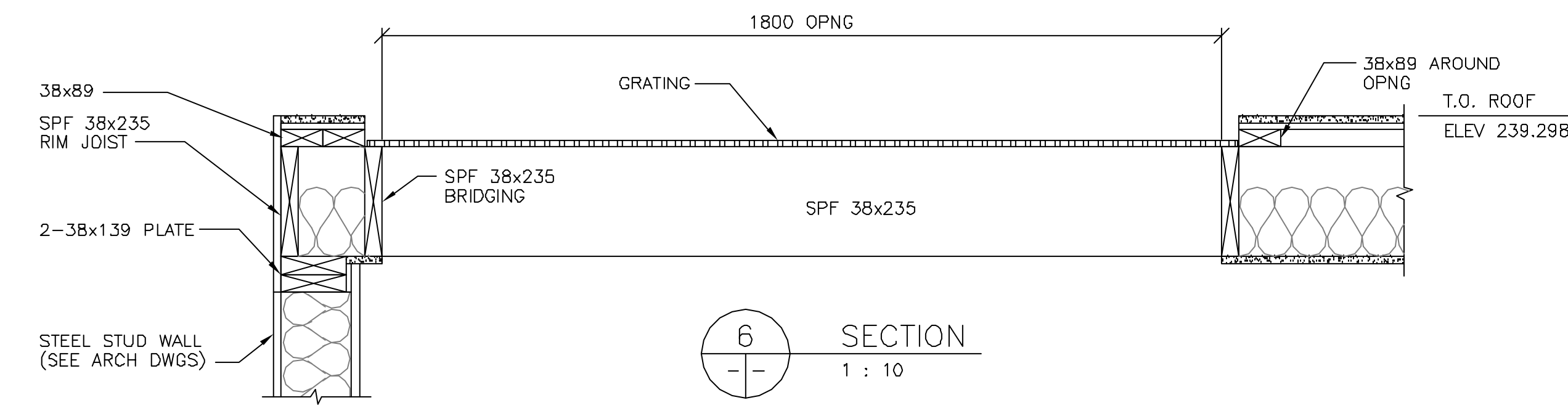
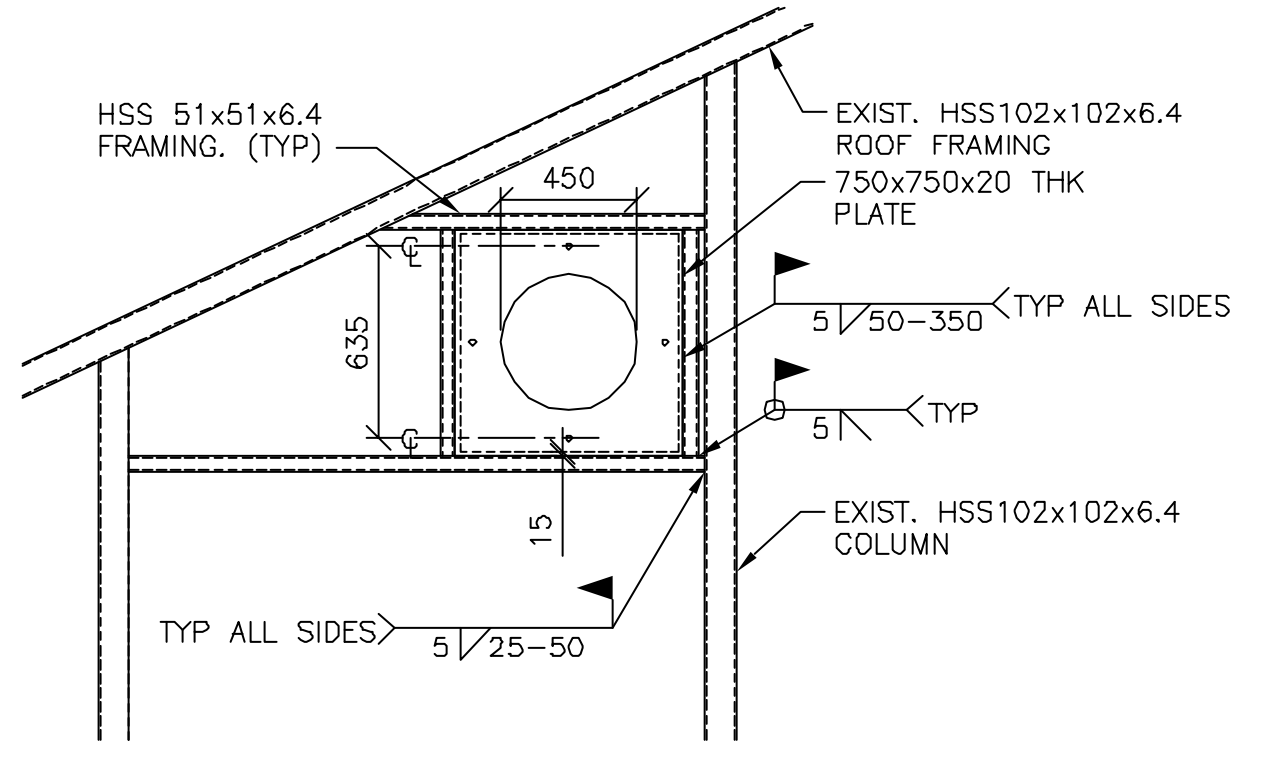
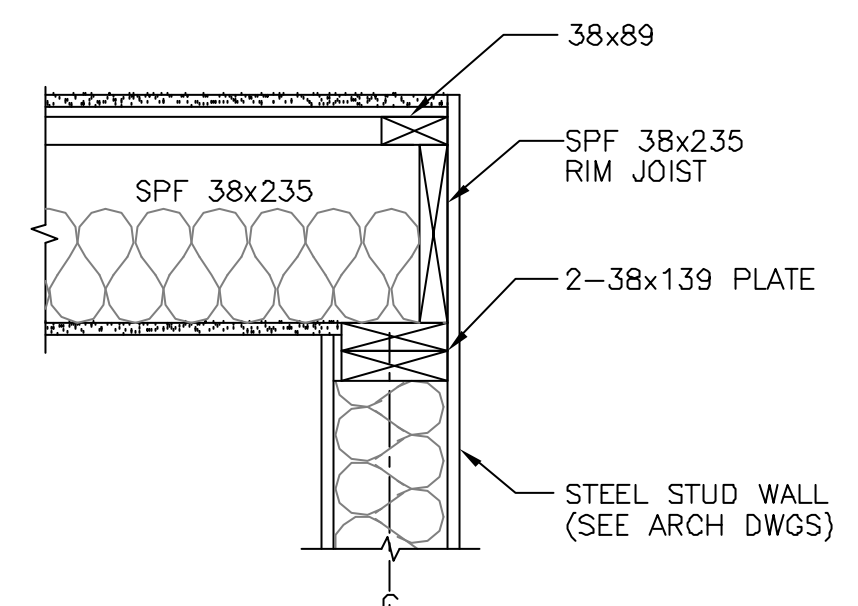
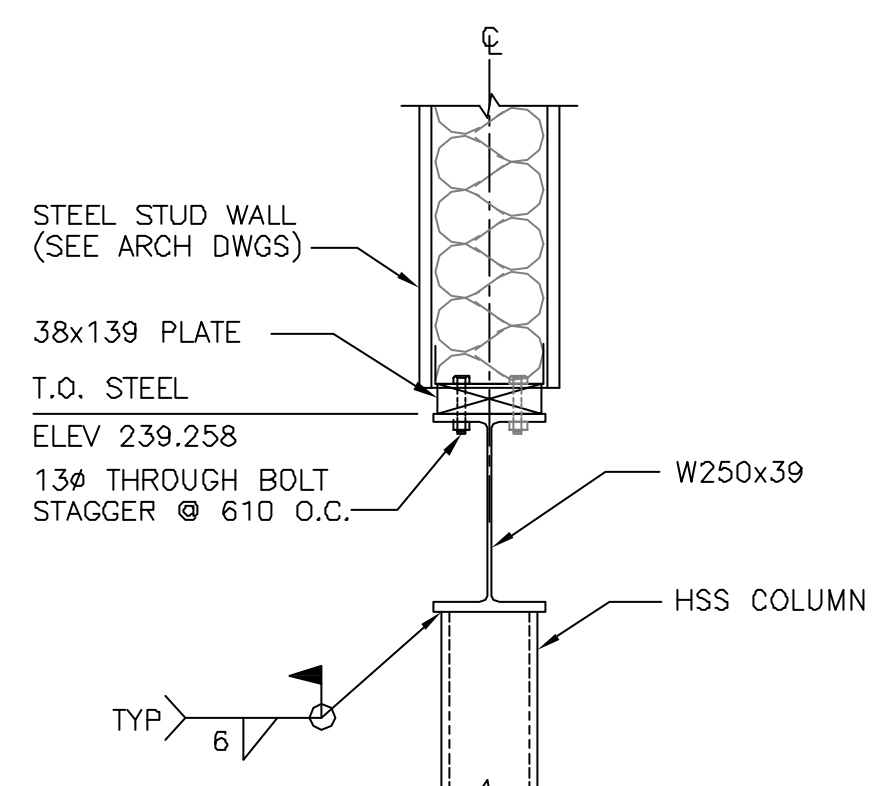


**1** ROOF FRAMING PLAN - MECHANICAL ROOM  
 1 : 50  
 - GRATING TO HAVE CONTINUOUS BAND ON ALL SIDES.  
 - GRATING TO BE IN THREE SEPARATE PIECES FOR EACH OPENING.  
 - PROVIDE BRIDGING TO ROOF FRAMING.  
 - COORDINATE WITH MECH DWGS FOR SIZES AND LOCATIONS OF ROOF OPENINGS

**2** SECTION  
 1 : 10

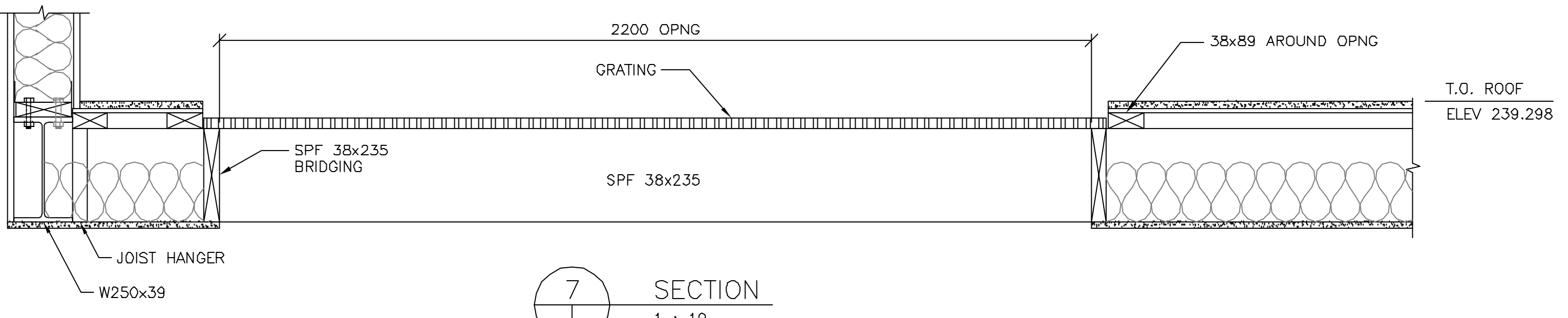


**3** SECTION  
 1 : 10

**4** SECTION  
 1 : 10

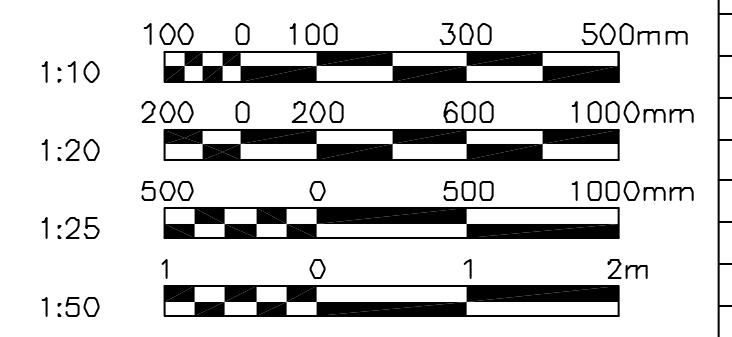
**5** EXHAUST FAN SUPPORT  
 1 : 25  
 -COORDINATE FIT UP AND LOCATION WITH MECHANICAL

**6** SECTION  
 1 : 10



**7** SECTION  
 1 : 10

ISSUED FOR INFORMATION ONLY  
 NOT TO BE USED FOR CONSTRUCTION



B.M. ELEV.	F.B.	<b>WARDROP Engineering Inc.</b>	DESIGNED BY: VB/JDB/R.H.W. CHECKED BY: RHW	DRAWN BY: G.I. / WRA	APPROVED BY: DATE	CONSULTANT DRAWING NO. 010007-13-02	<b>THE CITY OF WINNIPEG</b> PUBLIC WORKS DEPARTMENT ENGINEERING DIVISION	PROVENCER PAIRED BRIDGES PROJECT	CITY DRAWING NUMBER
								DESIGNED BY: VB/JDB/R.H.W. CHECKED BY: RHW	APPROVED BY: DATE
			HOR. SCALE: AS NOTED	ACCEPTED BY: DATE			CENTRE PLAZA ENCLOSURE		
			VERTICAL: AS NOTED				ROOF FRAMING PLAN AND SECTIONS	333	
			1 GENERAL REVISIONS 03.08.11 RHW						
			0 ISSUED FOR PCN 25 03.07.17 JDB						
			NO. REVISIONS	DATE	BY				