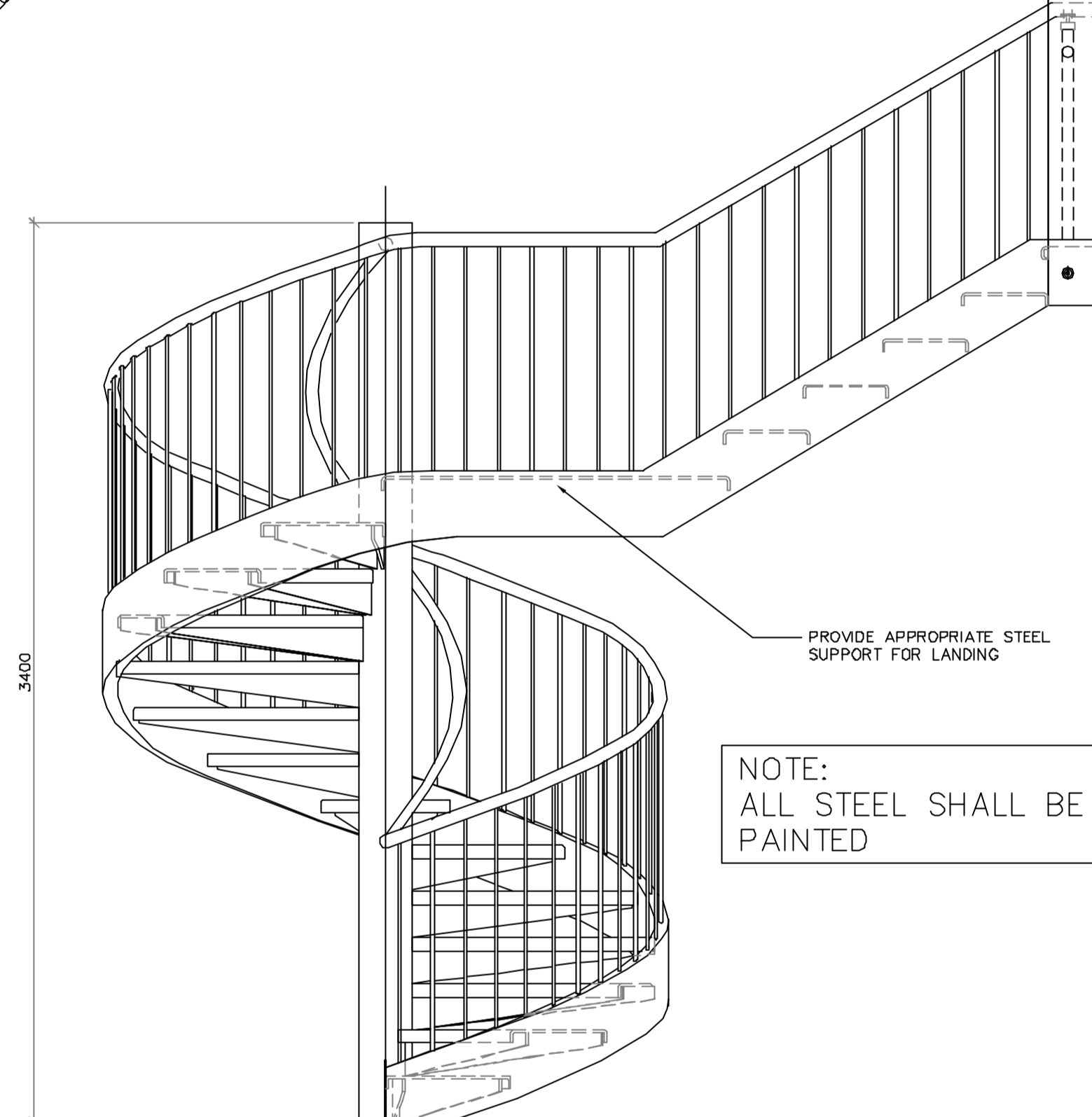
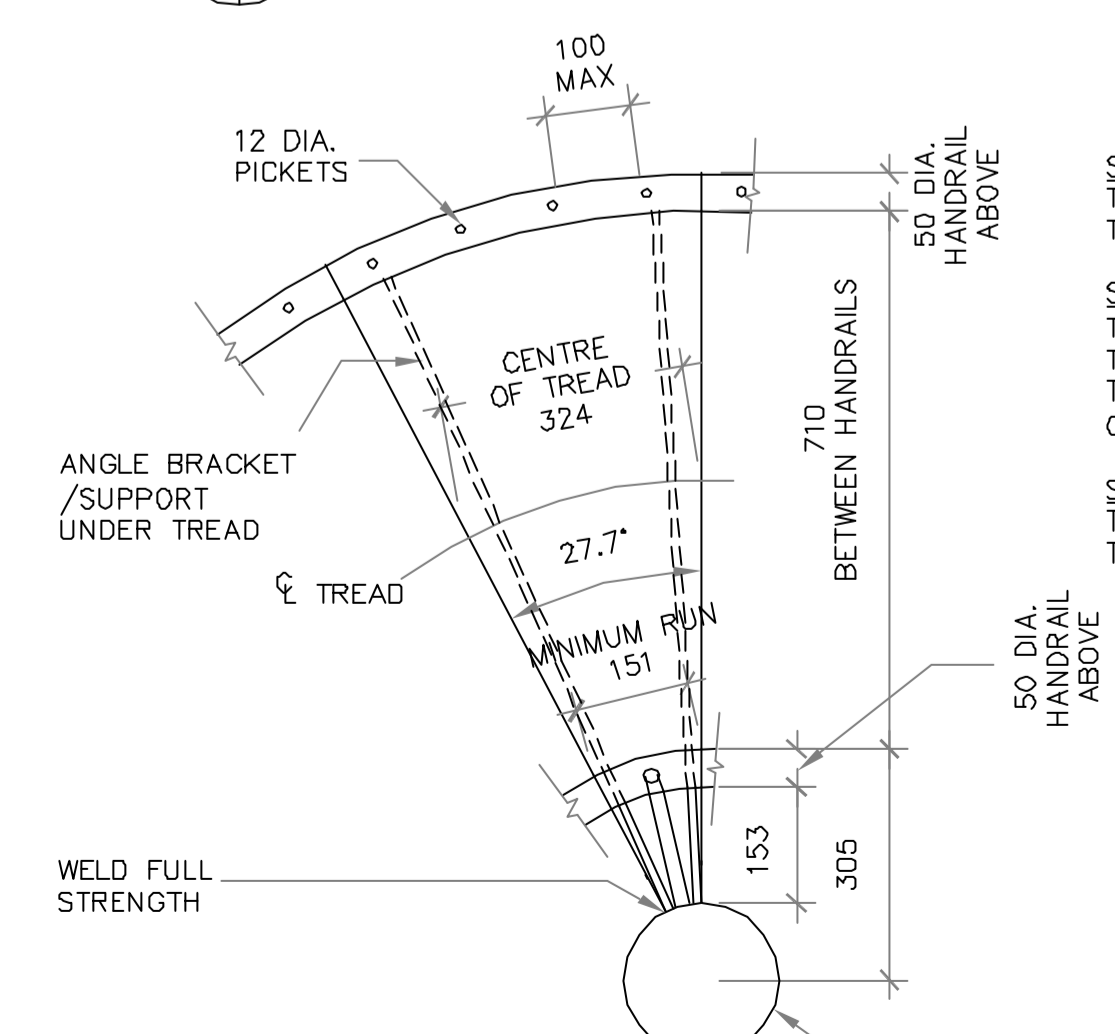


1 SPIRAL STAIR - PLAN
326326 1:50



2 SPIRAL STAIR - ELEVATION
326326 1:20

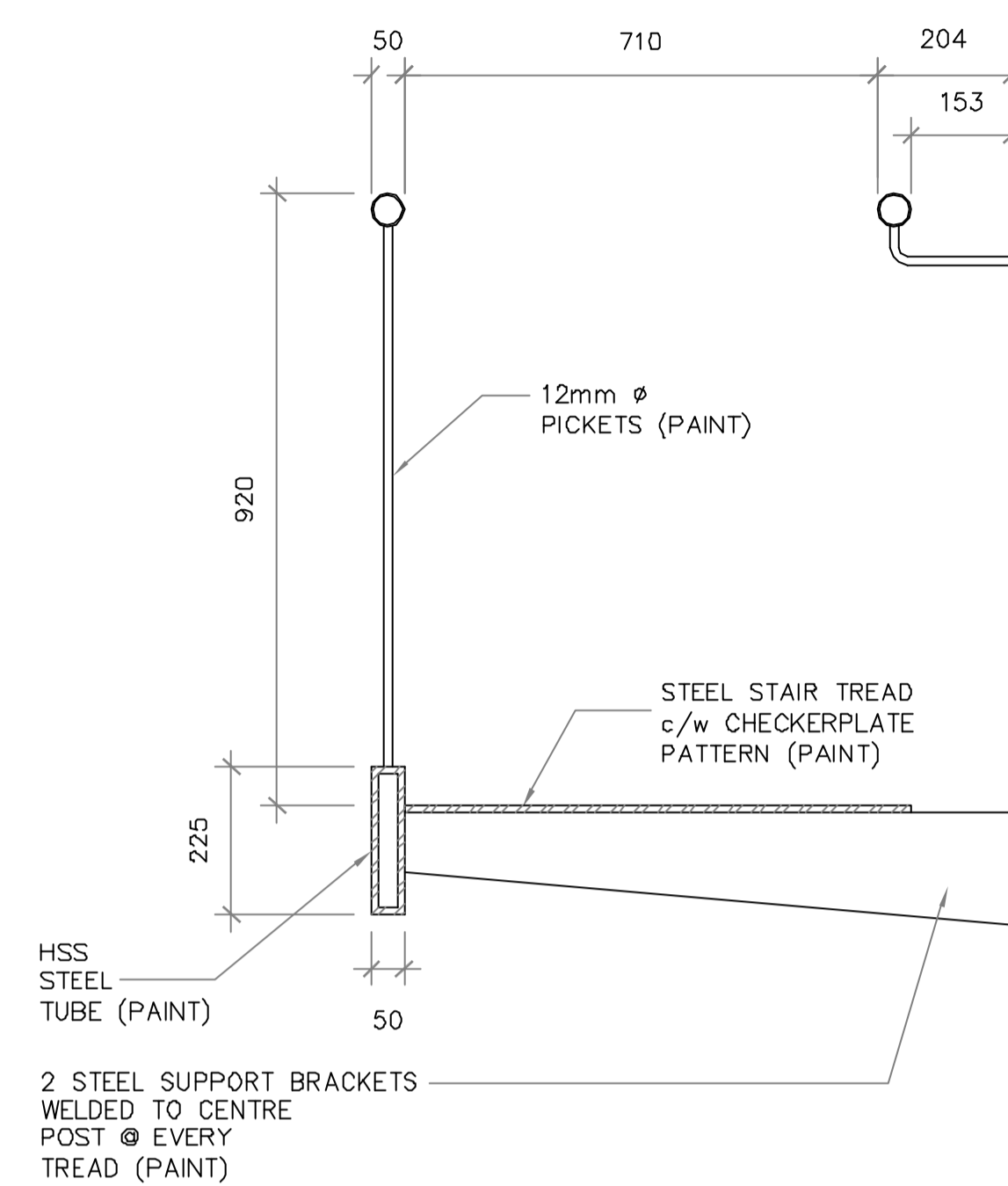


3 PLAN DETAIL
326326 1:10

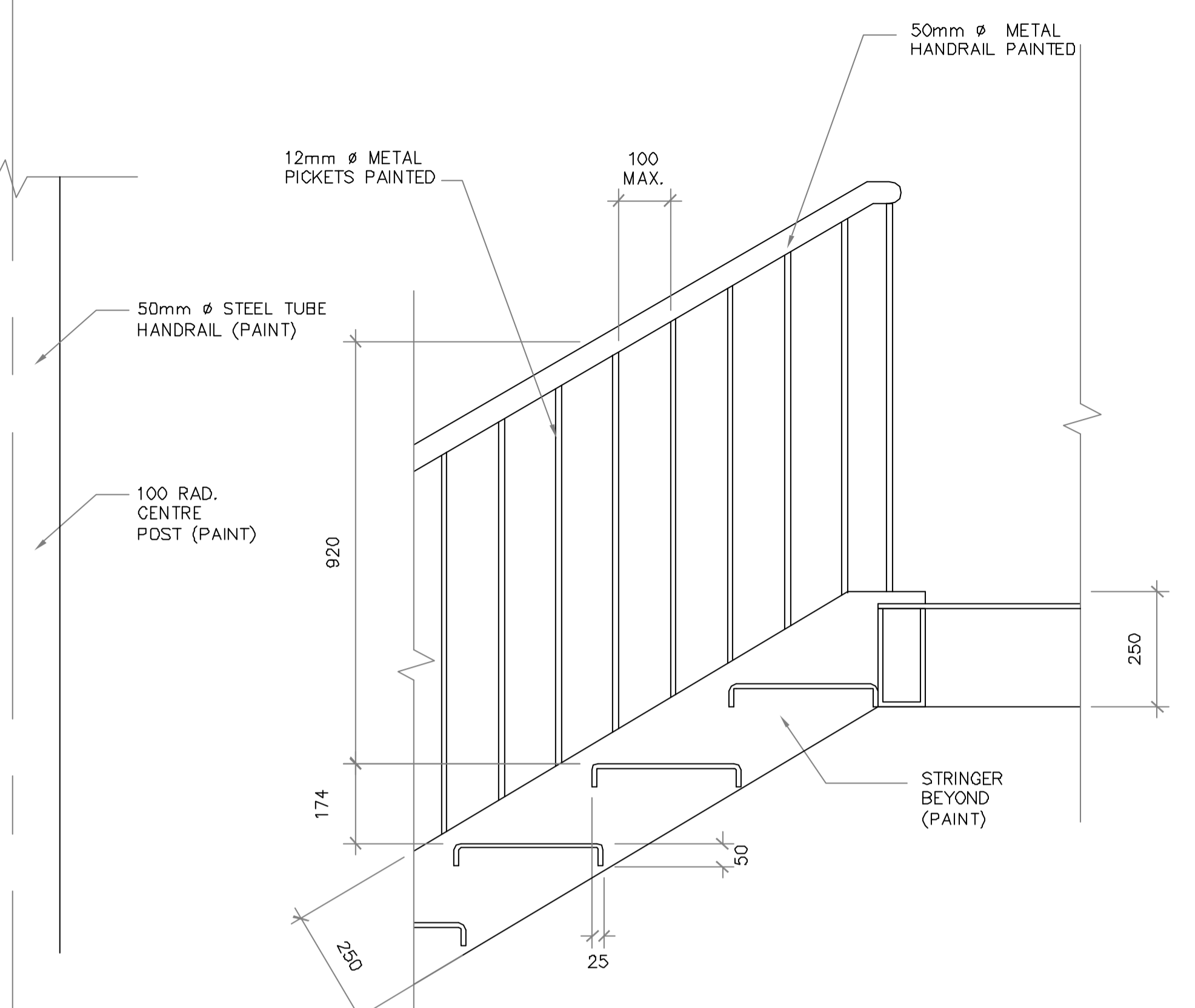
STAIRS:
TYPICAL RISER: ±174mm
TOTAL RISERS: 19

SPIRAL STAIR:
TREADS: 13 @ 27.7' (360° / 13)
TOTAL TURN: 360°
TOTAL SPIRAL HEIGHT: 2262mm
OUTSIDE RADIUS: 1067mm (3.5')

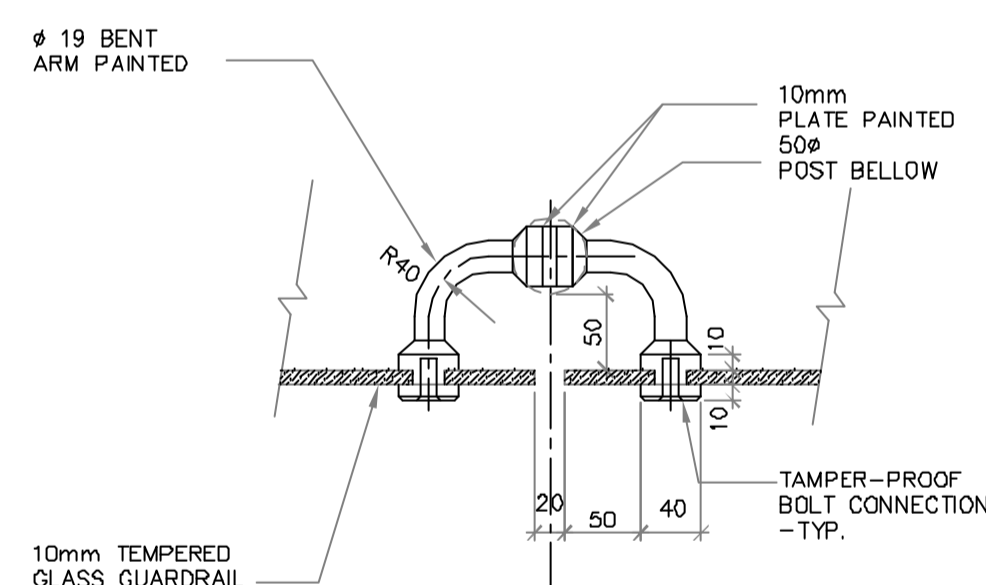
STRAIGHT STAIR:
TREADS: 6
TOTAL HEIGHT: 1044mm



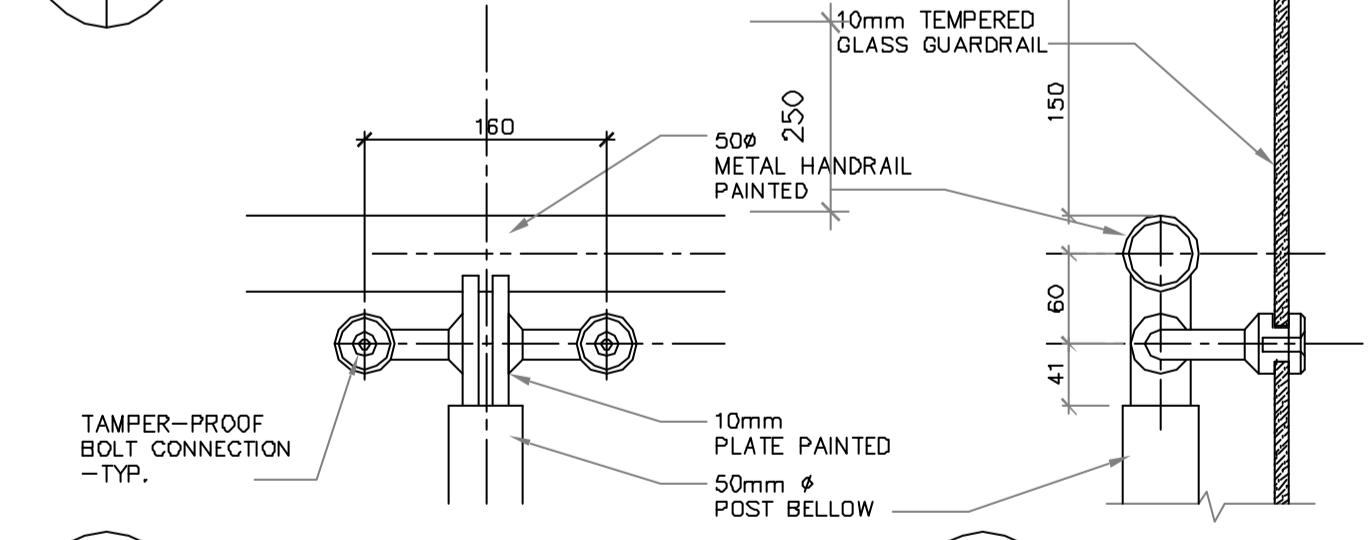
4 SECTION DETAIL
326326 1:10



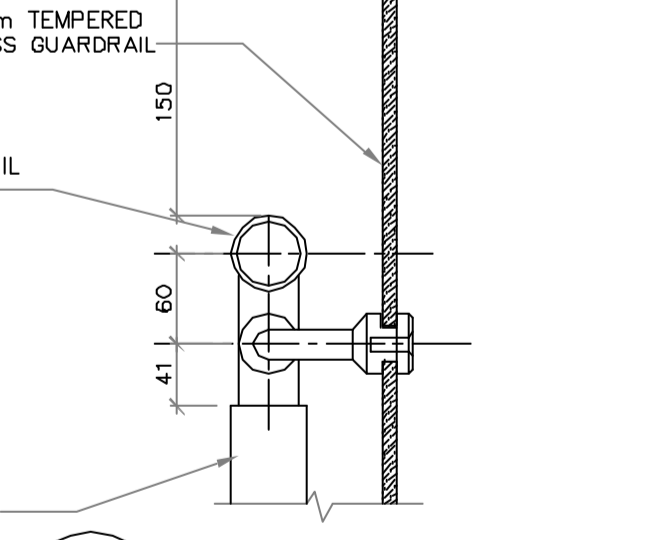
5 SECTION DETAIL
326326 1:10



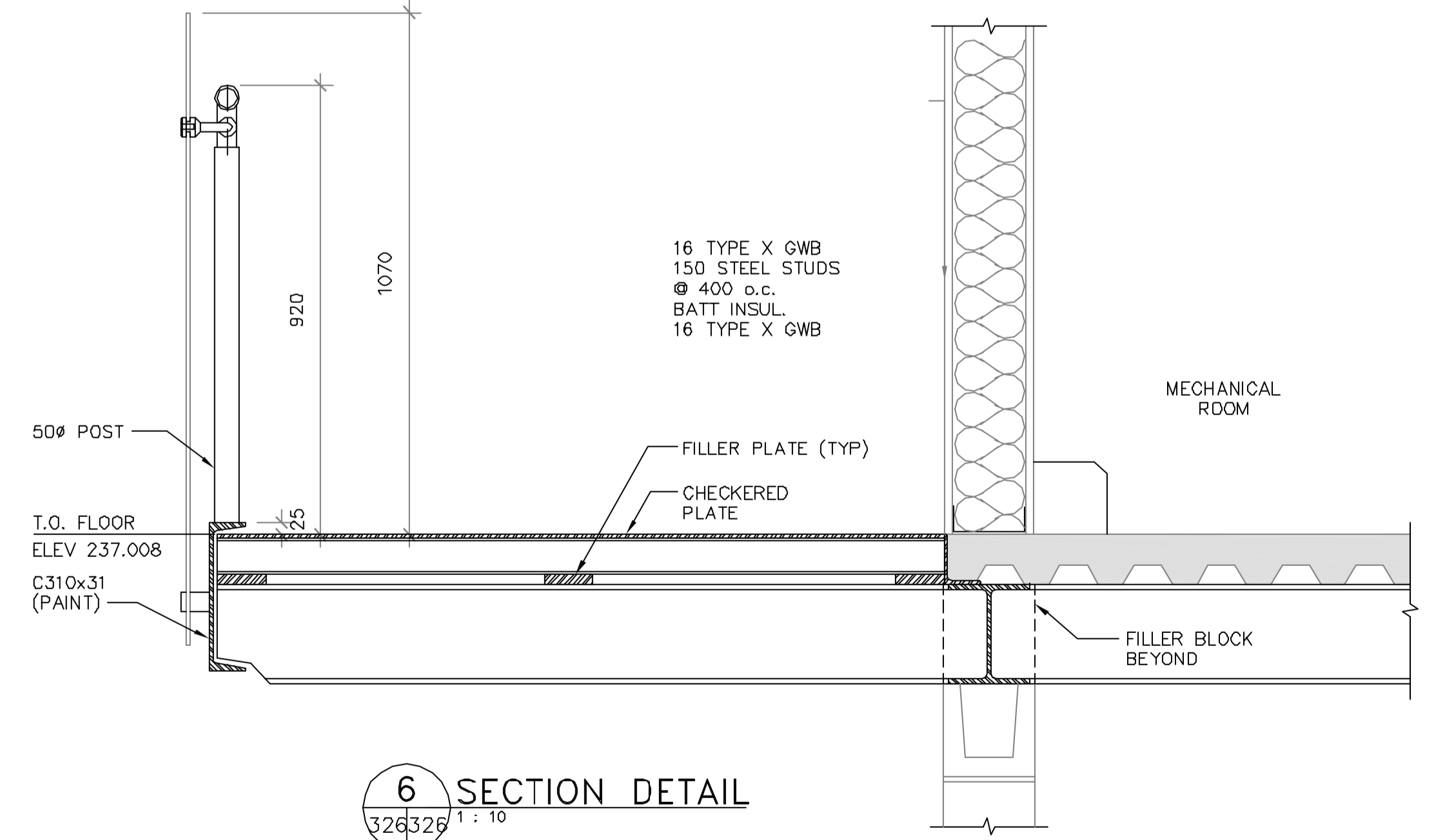
7 POST - PLAN
326326 1:5



8 POST - ELEVATION
326326 1:5



9 POST - SECTION
326326 1:5



6 SECTION DETAIL
326326 1:10

ISSUED FOR INFORMATION ONLY
NOT TO BE USED FOR CONSTRUCTION

Gaboury
Préfontaine
Perry
architect.e.s

B.M. ELEV.		F.B.		WARDROP Engineering Inc.		THE CITY OF WINNIPEG PUBLIC WORKS DEPARTMENT ENGINEERING DIVISION	
DESIGNED BY	E.J.G. Y.L.	CHECKED BY	E.J.G.	PROVENCHER PAIRED BRIDGES PROJECT		CITY DRAWING NUMBER	
DRAWN BY	J.I. C.B. H.V. Y.L.	APPROVED BY	R.v.G.	PEDESTRIAN BRIDGE		SHEET OF	
1 ISSUED FOR CONSTRUCTION	03.08.11	EJL		CENTRE PLAZA ENCLOSURE SPIRAL STAIR DETAILS		326	
0 ISSUED FOR PCN 25	03.07.24			CONSULTANT DRAWING NO. 010007-13-01			
NO. REVISIONS	DATE	BY	DATE	HOR. SCALE: AS NOTED VERTICAL: AS NOTED			
			03.06.13	ACCEPTED BY DATE			
				B. EBENSCHNEIDER P. ENG. BRIDGE DESIGN AND PROJECTS ENGINEER			