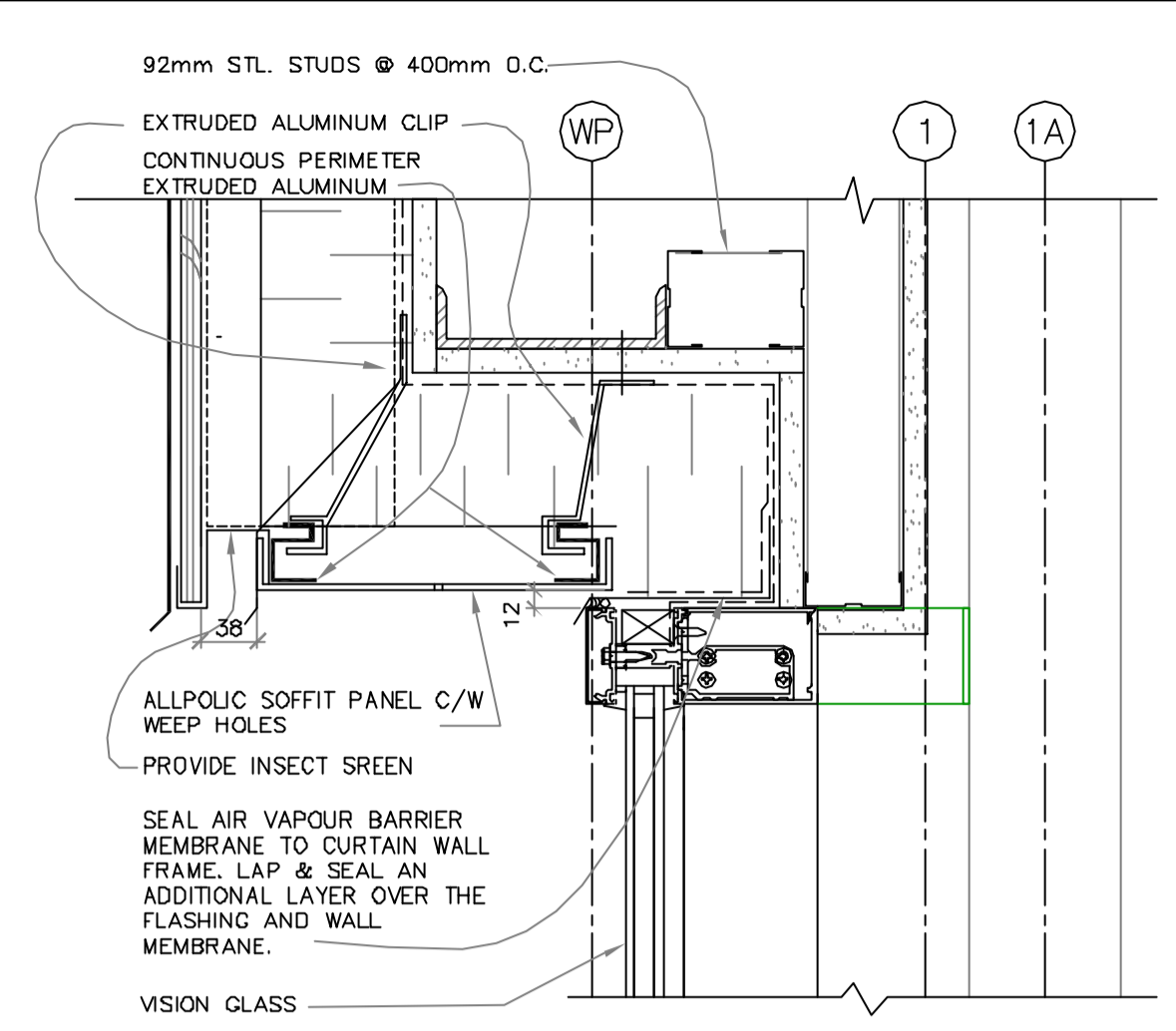
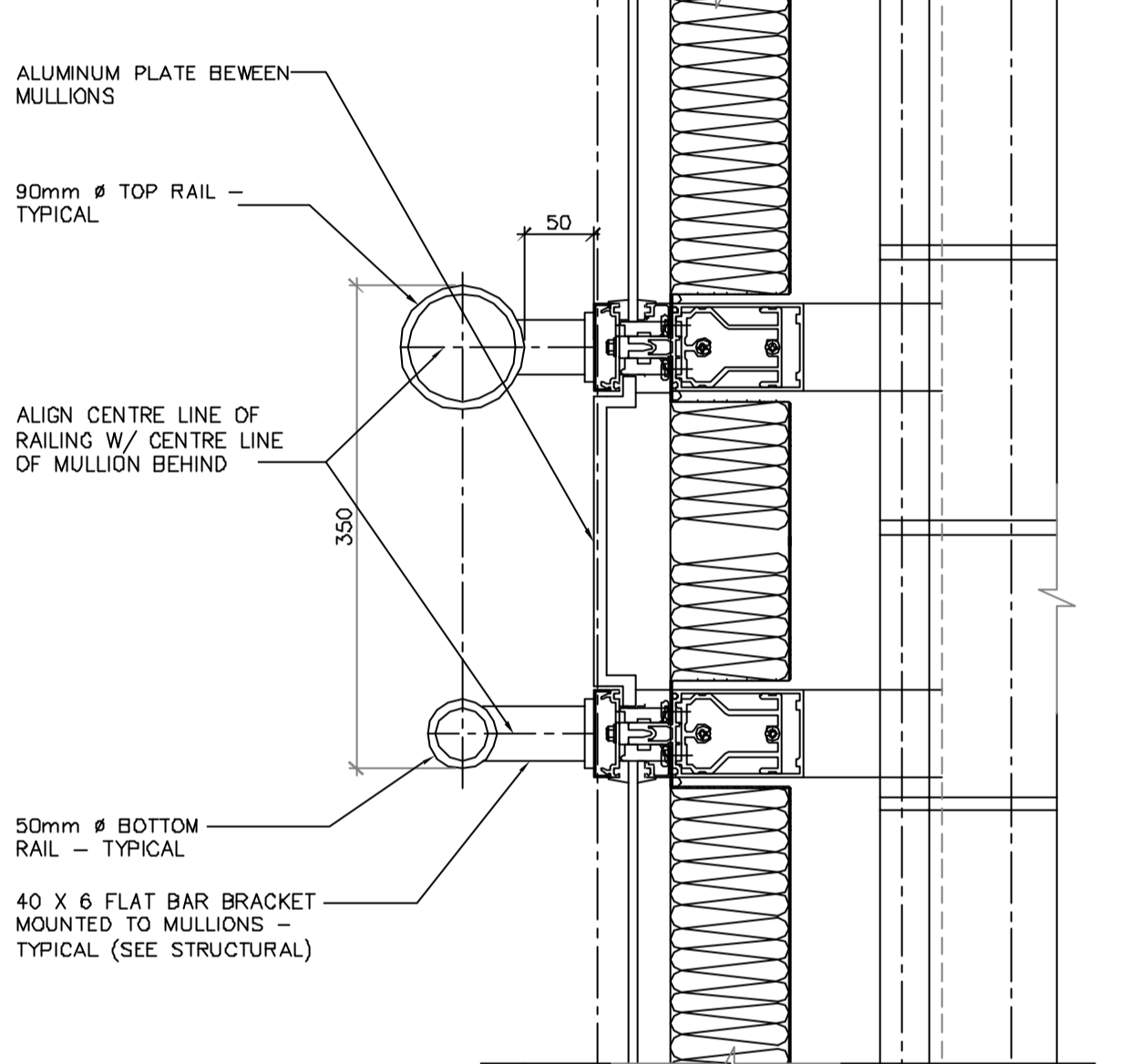


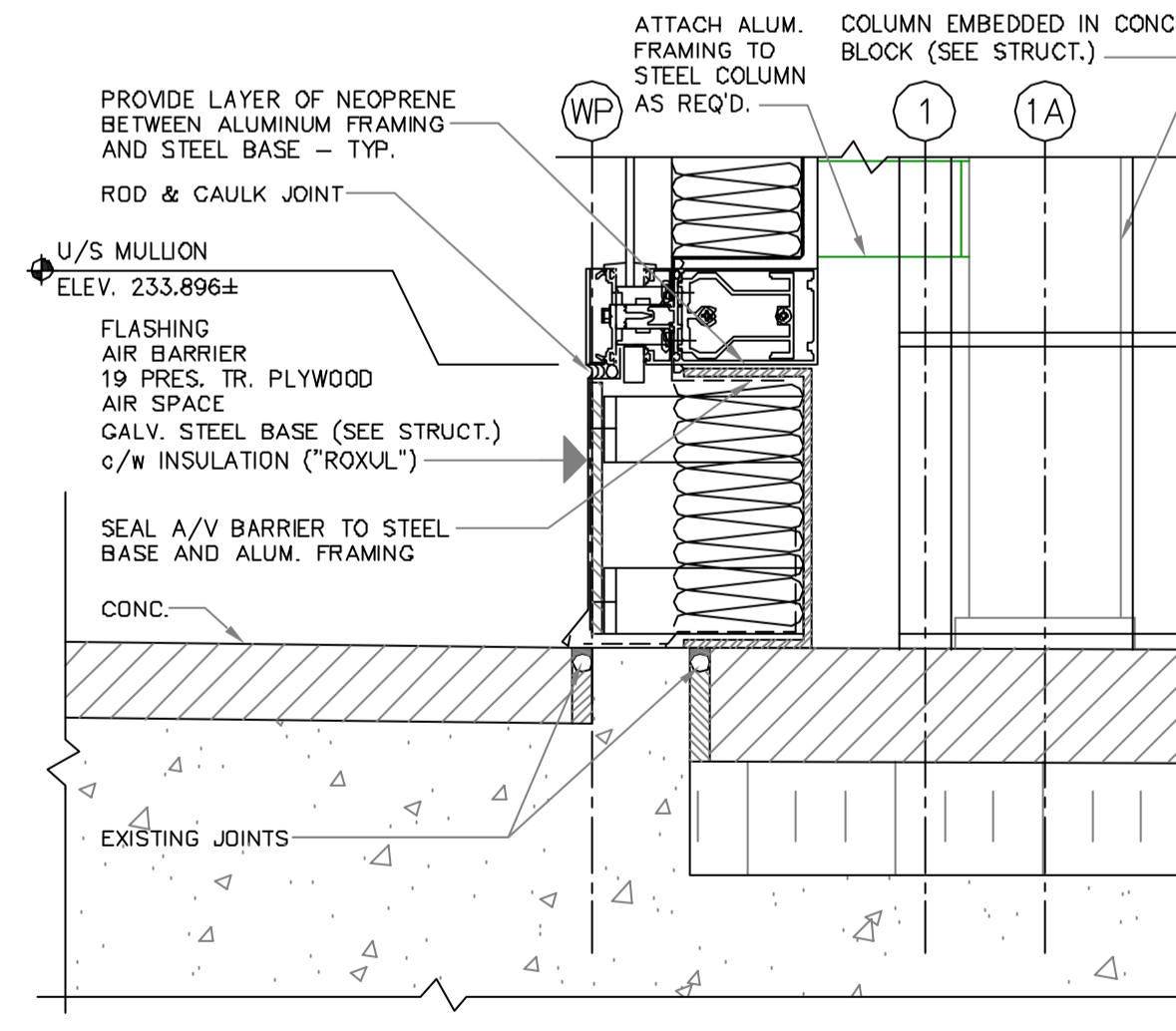
1 WALL SECTION
317319 1:10



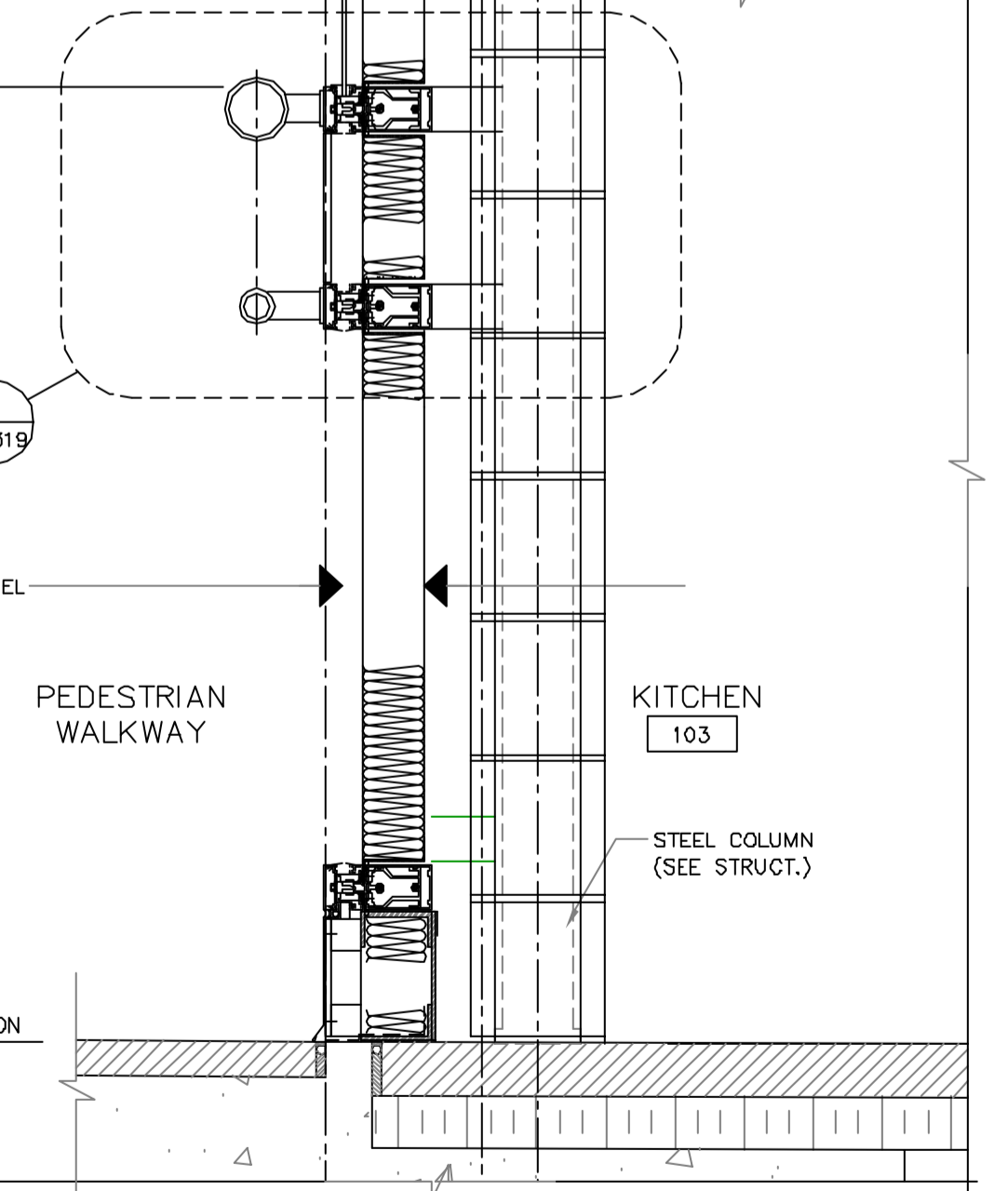
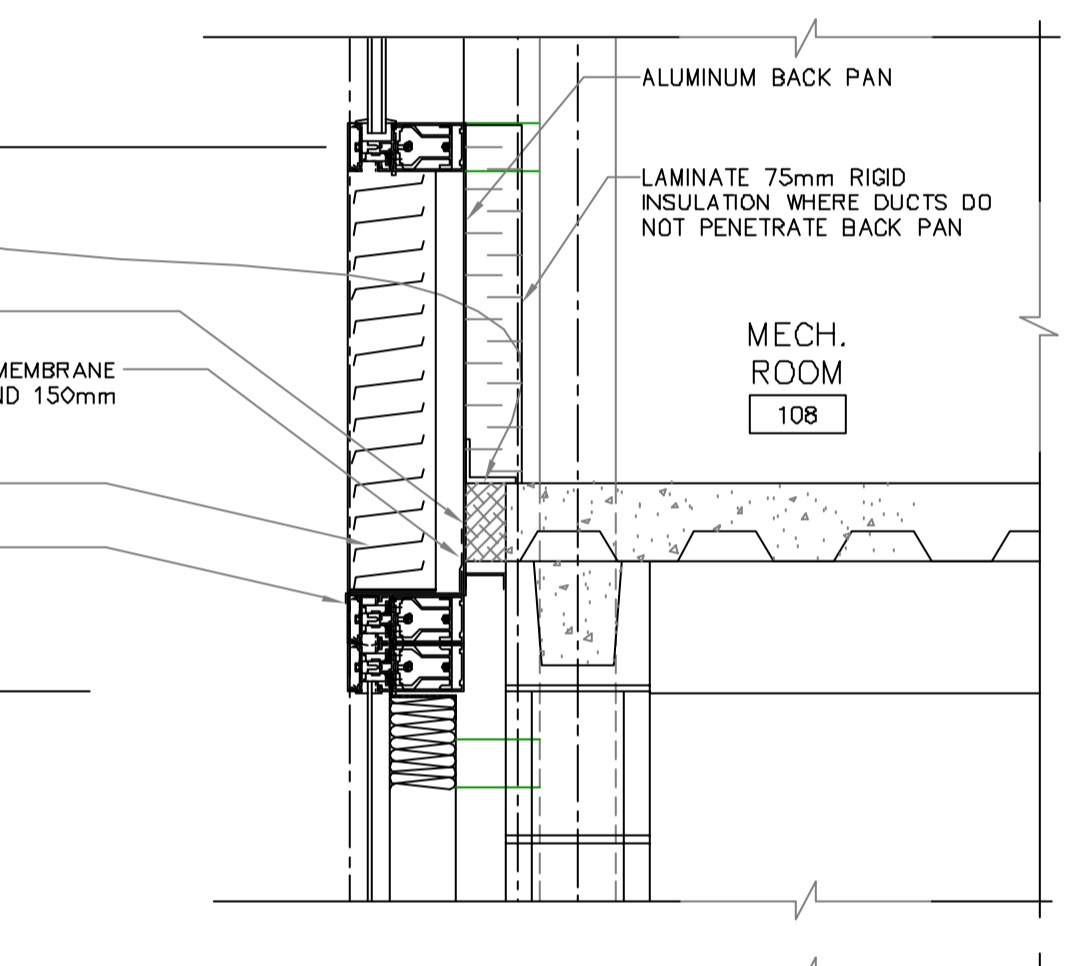
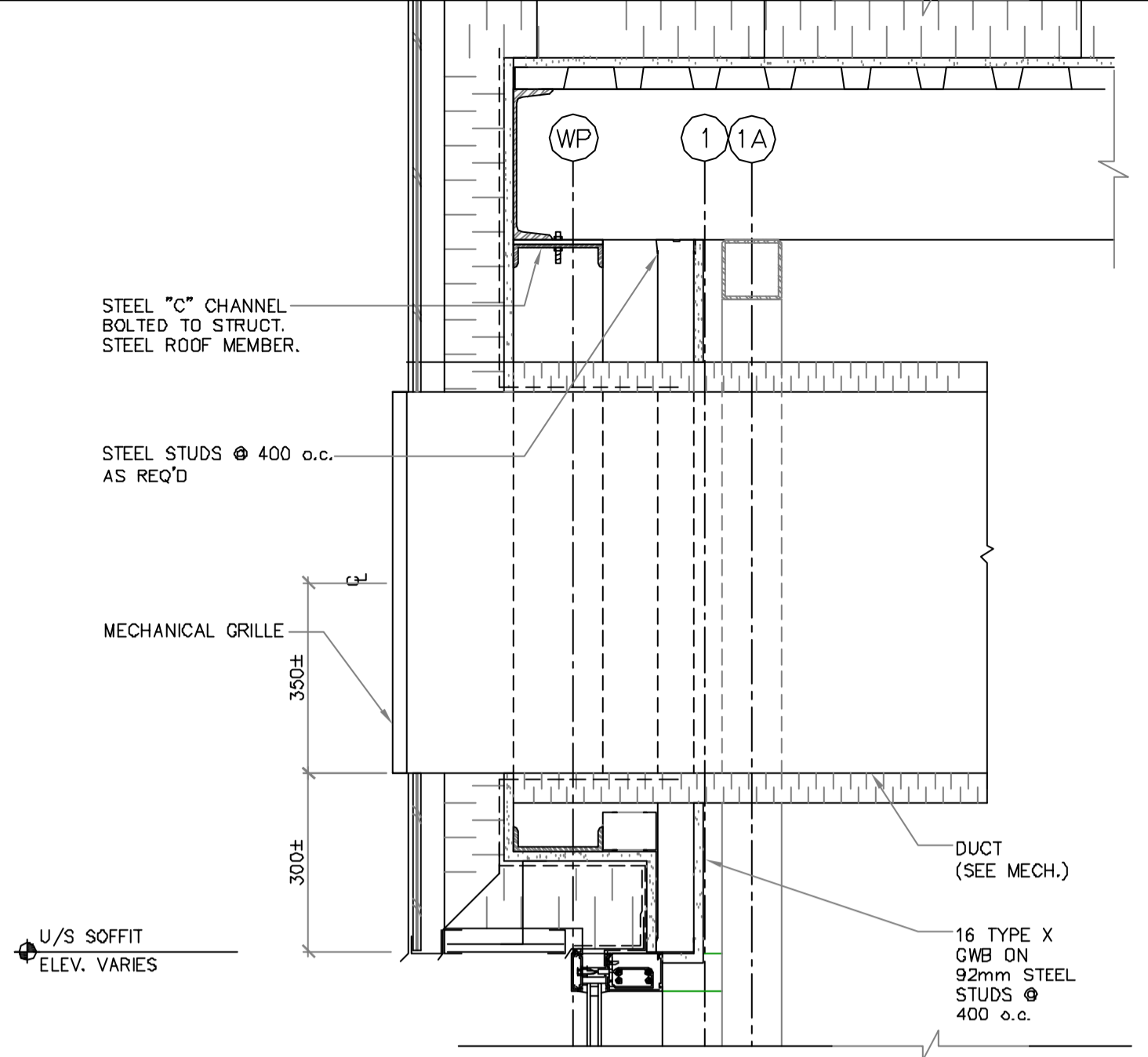
2 SECTION DETAIL
318319 1:5



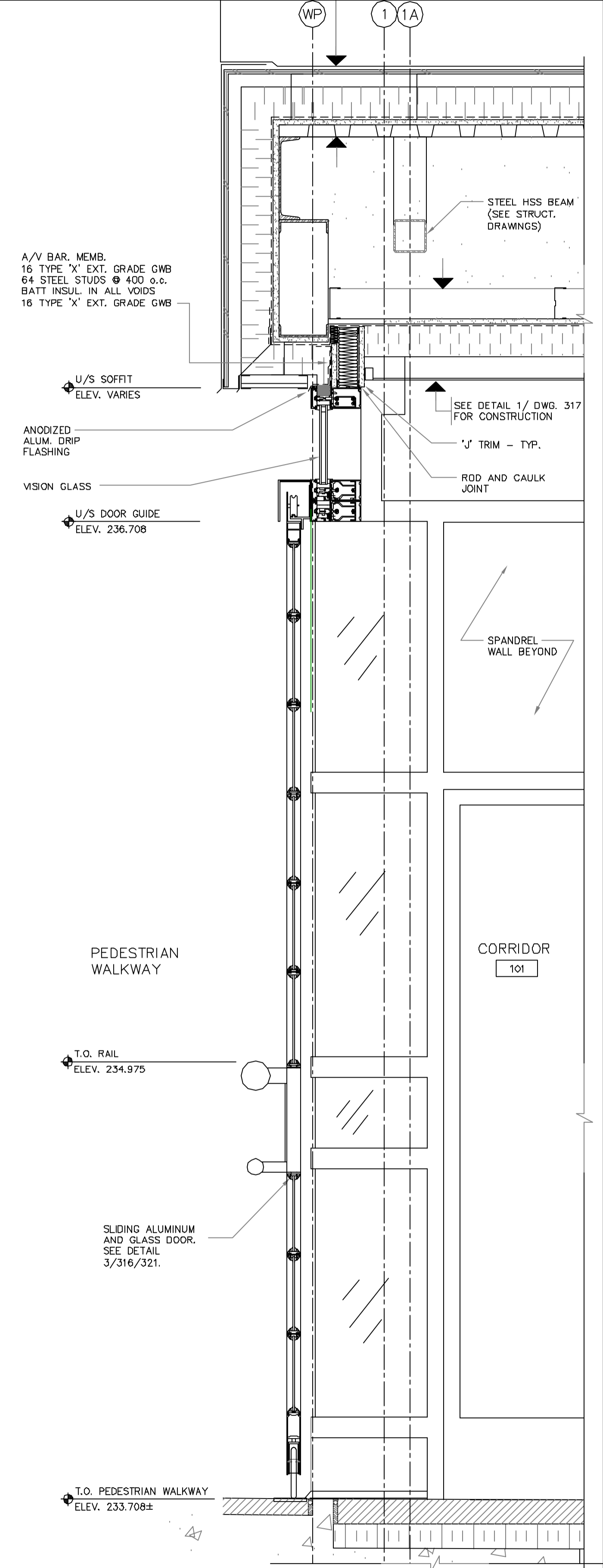
3 HANDRAIL DETAIL
319319 1:5



4 SECTION DETAIL
319319 SCALE 1:5



5 WALL SECTION
316319 1:10



6 WALL SECTION
316319 1:10

ISSUED FOR INFORMATION ONLY
NOT TO BE USED FOR CONSTRUCTION

Gaboury
Préfontaine
Perry
architect.e.s

B.M. ELEV.		F.B.		WARDROP Engineering Inc.	
DESIGNED BY	E.J.G. Y.L.	CHECKED BY	E.J.G.		
DRAWN BY	C.B. H.V. Y.L.	APPROVED BY	R.V.G.		
1 ISSUED FOR CONSTRUCTION	03.08.11	E.J.L.			
0 ISSUED FOR PCN 25	03.07.24				
NO. REVISIONS	DATE	BY	DATE		
	03.06.13				

THE CITY OF WINNIPEG PUBLIC WORKS DEPARTMENT ENGINEERING DIVISION		CITY DRAWING NUMBER
PROVENCHER PAIRED BRIDGES PROJECT PEDESTRIAN BRIDGE		SHEET OF
CENTRE PLAZA ENCLOSURE SECTION DETAILS		319

CONSULTANT DRAWING NO.
010007-13-01